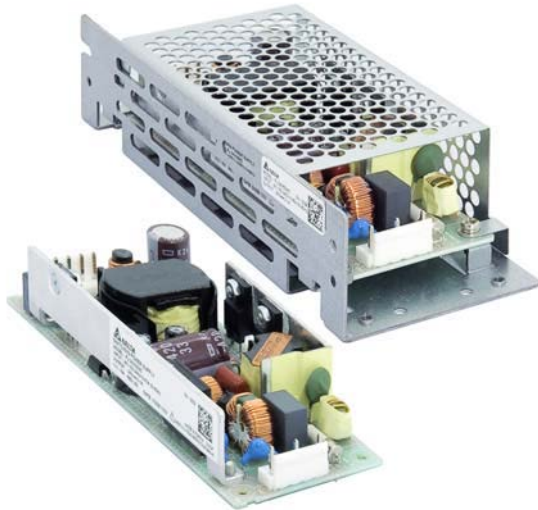


# PJ Open Frame Power Supply

## 48V 50W 1 Phase / PJ-48V50W□NA

# PJ



### Highlights & Features

- Universal AC input voltage range (85Vac – 264Vac)
- Low Inrush Current / Low Leakage Current
- High efficiency and PF factor to conserve energy
- Conforms to harmonic current IEC/EN 61000-3-2, Class A
- Conformal coating on PCBA to protect against chemical and dust pollutants
- Versatile configuration options: Open Frame, L Frame, Enclosed
- Long life capacitors

### Safety Standards



CB Certified for worldwide use

|                                |  |
|--------------------------------|--|
| <b>Model Number:</b>           | PJ-48V50W□NA   |
| <b>Unit Weight:</b>            | 0.16 kg (Open Frame)<br>0.28 kg (Enclosed)                     |
| <b>Dimensions (L x W x D):</b> | 132 x 50 x 26.6 mm (Open Frame)<br>162 x 60 x 36 mm (Enclosed) |

### General Description

The PJ series of Open Frame Power Supply comes with universal AC input at 85Vac to 264Vac. Other features include low leakage / Inrush current and conformal coating on the PCBAs to provide protection against dust and chemical pollutants. The built-in active PFC provides PF > 0.97 and fulfills Harmonic Current Emission according to IEC/EN 61000-3-2. The PJ series is certified for EMC standards according to EN 55011 for industrial, scientific and medical (ISM) radio-frequency equipment and EN 55022 for Industrial Technology Equipment (ITE) radio-frequency equipment and EMS according to EN 55024. In addition, the detachable input and output connectors are from JST and only recognized Japanese capacitors are used.

Metal chassis and case cover are available as options for different installation preferences. The PJ series conforms to major international safety standards according to EN/UL 60950-1 standards and are fully compliant with RoHS Directive 2011/65/EU for environmental protection.

### Model Information

PJ Open Frame Power Supply

| Model Number | Input Voltage Range | Output Voltage | Output Current |
|--------------|---------------------|----------------|----------------|
| PJ-48V50W□NA | 85-264Vac           | 48Vdc          | 1.10A          |

### Model Numbering

|             |                |              |   | CC Code  |                |
|-------------|----------------|--------------|---|--|----------------|
| <b>PJ –</b> | <b>48V</b>     | <b>50W</b>   | <b>□</b>  | <b>N</b>                                       | <b>A</b>       |
| PJ Series   | Output Voltage | Output Power | Product Type<br>B - Open Frame<br>L - L Frame<br>C - Enclosed | Remote ON/OFF Function<br>N - No Remote ON/OFF | Delta Standard |

# PJ Open Frame Power Supply

## 48V 50W 1 Phase / PJ-48V50W□NA

### Specifications

#### Input Ratings / Characteristics

|                                 |  |
|---------------------------------|--|
| Nominal Input Voltage           | 100-240Vac                               |
| Input Voltage Range             | 85-264Vac                                |
| Nominal Input Frequency         | 50-60Hz                                  |
| Input Frequency Range           | 47-63Hz                                  |
| Input Current                   | 0.65A typ. @ 100Vac, 0.35A typ. @ 200Vac |
| Efficiency at 100% Load         | 83.0% typ. @ 100Vac, 85.0% typ. @ 200Vac |
| Max Inrush Current (Cold Start) | 15A typ. @ 100Vac, 30A typ. @ 200Vac     |
| Power Factor Correction         | 0.98 typ. @ 100Vac, 0.97 typ. @ 200Vac   |
| Leakage Current                 | 0.1mA @ 100Vac, 0.2mA @ 240Vac           |

#### Output Ratings / Characteristics

|  |   |
|--|---|
| Nominal Output Voltage                                   | 48Vdc   |
| Output Voltage Tolerance                                 | ± 1% (initial set point tolerance from factory)   |
| Output Voltage Adjustment Range                          | 43.2-52.8Vdc                                      |
| Output Current   | 1.10A   |
| Output Power   | 52.8W   |
| Line Regulation  | < 192mV   |
| Load Regulation  | < 240mV   |
| Ripple (20MHz)   | < 150mVpp @ 0°C to 50°C, < 200mVpp @ -10°C to 0°C |
| Ripple Noise (20MHz)                                     | < 250mVpp @ 0°C to 50°C, < 300mVpp @ -10°C to 0°C |
| Start-up Time  | 500ms typ. @ 100Vac                               |
| Hold-up Time   | 20ms typ. @ 100Vac                                |
| Dynamic Response<br>(Overshoot & Undershoot O/P Voltage) | ± 5% @ 0-50% load and 50-100% load                |
| Start-up with Capacitive Loads                           | 1,000µF Max                                       |

### Mechanical

|                      |  |
|----------------------|--|
| Case Cover / Chassis | SGCC   |
| Dimensions           | 132 x 50 x 26.6 mm (Open Frame)<br>162 x 60 x 36 mm (Enclosed) |
| Unit Weight          | 0.16 kg (Open Frame)<br>0.28 kg (Enclosed)                     |
| Indicator            | NA   |
| Cooling System       | Convection   |
| Terminal             | Input JST B3P5-VH (LF)(SN)<br>Output JST B4P-VH (LF)(SN)       |
| Wire                 | AWG 22-18  |

# PJ Open Frame Power Supply

## 48V 50W 1 Phase / PJ-48V50W□NA

### Environment

|                             |                        |   |
|-----------------------------|------------------------|---|
| Surrounding Air Temperature | Operating              | -10°C to +70°C  |
|                             | Storage                | -25°C to +75°C  |
| Power De-rating             | Mounting Orientation A | > 50°C de-rate power by 2.5% / °C<br>< 90Vac de-rate power by 2% / V  |
| Operating Humidity          |                        | 5 to 95% RH (Non-Condensing)  |
| Operating Altitude          |                        | 0 to 5,000 Meters   |
| Shock Test (Non-Operating)  |                        | IEC60068-2-27, 196.1m/S <sup>2</sup> (20G), 11ms, once along X, Y, and Z axis                                   |
| Vibration (Operating)       |                        | IEC60068-2-6, 10Hz to 55Hz @ 19.6m/S <sup>2</sup> (2G); 3 min period, 60 min per axis for all X, Y, Z direction |

### Protections

|                          |   |
|--------------------------|---|
| Overvoltage              | 55.2-67.2V, Latch Mode  |
| Overload / Overcurrent   | > 105% of rated load current, Hiccup Mode, Non-Latching (Auto-Recovery) |
| Over Temperature         | Latch Mode  |
| Short Circuit            | Hiccup Mode, Non-Latching (Auto-Recovery when the fault is removed)     |
| Protection Against Shock | Class I with PE* connection   |

\*PE: Primary Earth

### Reliability Data

|                        |                                       |
|------------------------|---------------------------------------|
| MTBF                   | > 200,000 hrs. as per JEITA RCR-9102B |
| Expected Cap Life Time | 10 years (115Vac, 50% load @ 40°C)    |

### Safety Standards / Directives

|                    |  |         |
|--------------------|--|---------|
| Electrical Safety  | TUV Bauart to EN 60950-1, UL/cUL recognized to UL 60950-1 and CSA C22.2 No. 60950-1 (File No. E131881), CB scheme to IEC 60950-1 |         |
| ITE                | IEC 60950-1  |         |
| CE                 | In conformance with EMC Directive 2004/108/EC and Low Voltage Directive 2006/95/EC   |         |
| Material and Parts | RoHS Directive 2011/65/EU Compliant  |         |
| Galvanic Isolation | Input to Output  | 3.0KVac |
|                    | Input to Ground  | 2.0KVac |
|                    | Output to Ground   | 0.5KVac |

# PJ Open Frame Power Supply

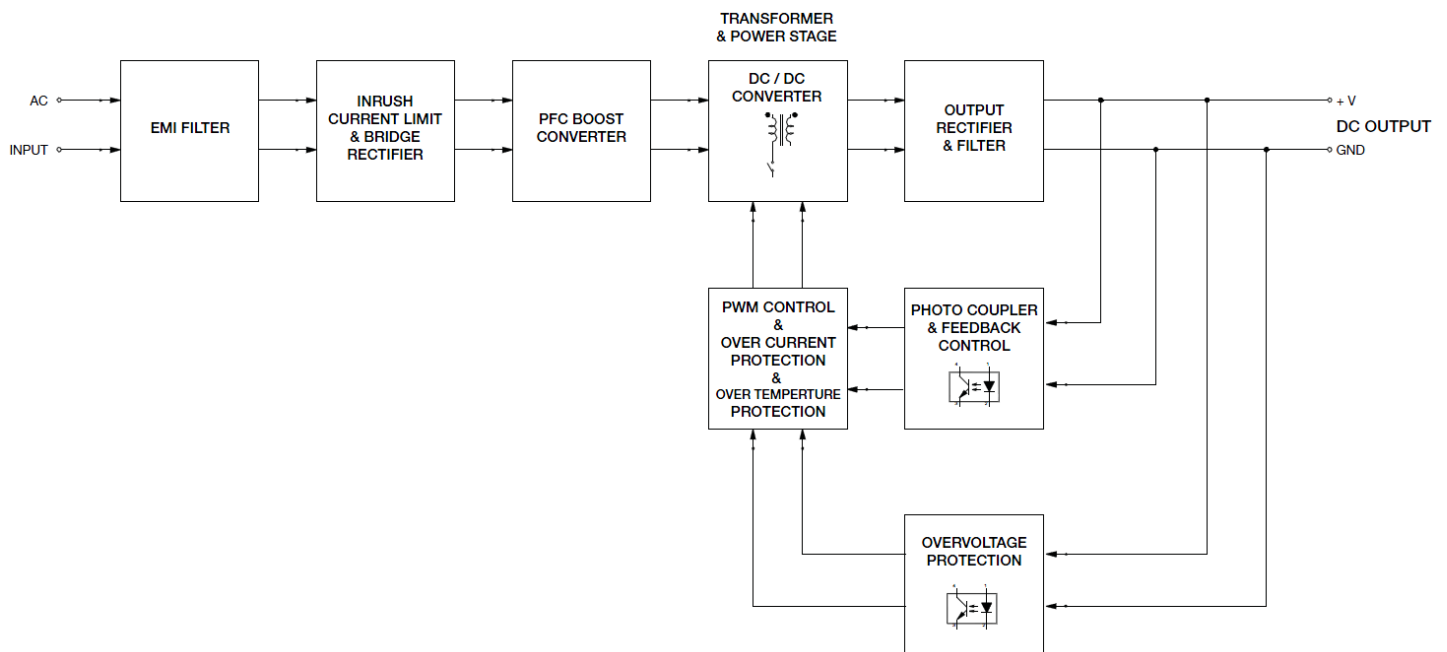
## 48V 50W 1 Phase / PJ-48V50W□NA

### EMC

|                                   |                |  |
|-----------------------------------|----------------|--|
| EMC / Emissions                   |                | CISPR 22, EN 55022, FCC Title 47: Class B  |
| Immunity to                       |                |  |
| Electrostatic Discharge           | IEC 61000-4-2  | Level 4 Criteria A <sup>1)</sup><br>Air Discharge: 15kV<br>Contact Discharge: 8kV                            |
| Radiated Field                    | IEC 61000-4-3  | Level 3 Criteria A <sup>1)</sup><br>80MHz-1GHz, 10V/M with 1kHz tone / 80% modulation                        |
| Electrical Fast Transient / Burst | IEC 61000-4-4  | Level 3 Criteria A <sup>1)</sup><br>2kV  |
| Surge                             | IEC 61000-4-5  | Level 3 Criteria A <sup>1)</sup><br>Common Mode <sup>2)</sup> : 2kV<br>Differential Mode <sup>3)</sup> : 1kV |
| Conducted                         | IEC 61000-4-6  | Level 3 Criteria A <sup>1)</sup><br>150kHz-80MHz, 10Vrms   |
| Power Frequency Magnetic Fields   | IEC 61000-4-8  | Criteria A <sup>1)</sup><br>Magnetic field strength 30A/Meter  |
| Voltage Dips                      | IEC 61000-4-11 | 100% dip; 1 cycle (20ms); Self Recoverable   |
| Low Energy Pulse Test (Ring Wave) | IEC 61000-4-12 | Level 3 Criteria A <sup>1)</sup><br>Common Mode <sup>2)</sup> : 2kV<br>Differential Mode <sup>3)</sup> : 1kV |
| Harmonic Current Emission         |                | IEC/EN 61000-3-2, Class A  |
| Voltage Fluctuation and Flicker   |                | IEC/EN 61000-3-3   |

- 1) Criteria A: Normal performance within the specification limits
- 2) Asymmetrical: Common mode (Line to earth)
- 3) Symmetrical: Differential mode (Line to line)

### Block Diagram

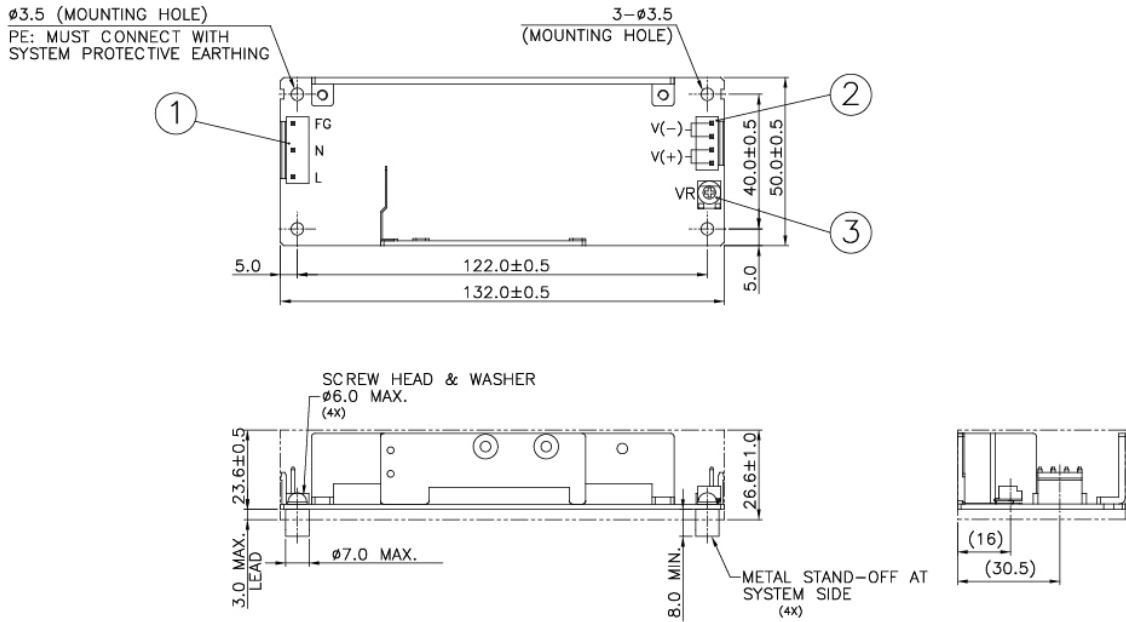


# PJ Open Frame Power Supply

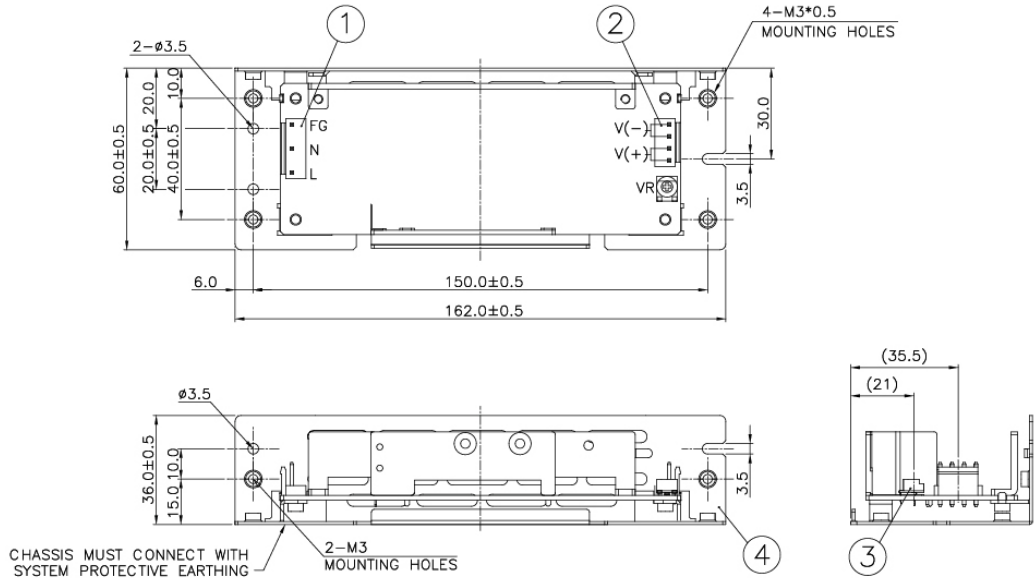
## 48V 50W 1 Phase / PJ-48V50W□NA

### Dimensions

L x W x D: 132 x 50 x 26.6 mm (Open Frame)



L x W x D: 162 x 60 x 36 mm (L Frame)



| Item | Device Description |
|------|--------------------|
| 1    | Input Connector    |
| 2    | Output Connector   |
| 3    | VR                 |
| 4    | Chassis            |

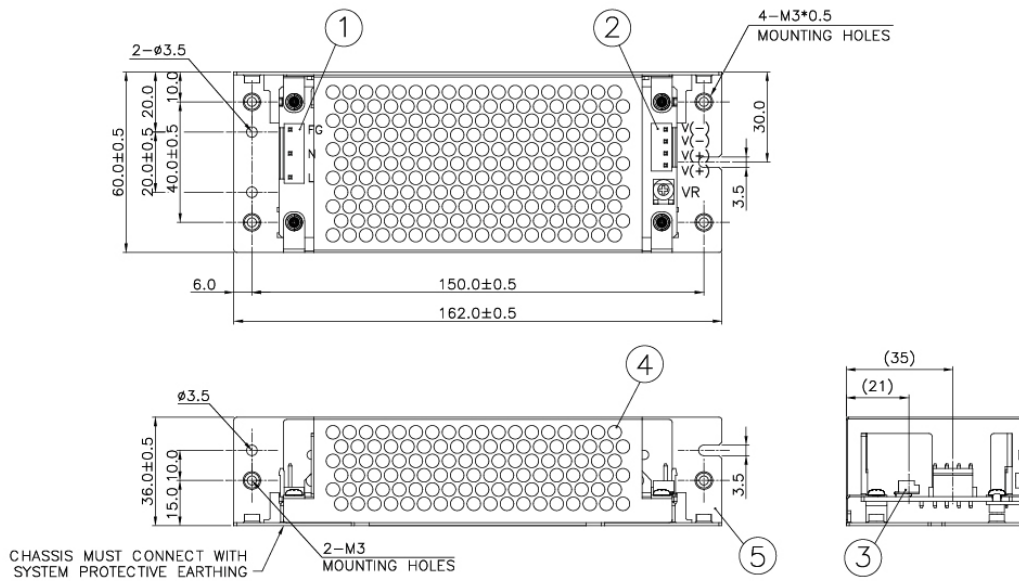
### Notes

- Dimensions are in mm
- For information on Mounting Torque, and I/O Connector and Housing, please refer to Table 1 (Page 6).
- For L Frame type: There are 6 threaded mounting holes and 5 normal mounting holes.
- For Open Frame type: There are 4 normal mounting holes.

# PJ Open Frame Power Supply

## 48V 50W 1 Phase / PJ-48V50W□NA

L x W x D: 162 x 60 x 36 mm (Enclosed)



| Item | Device Description |
|------|--------------------|
| 1    | Input Connector    |
| 2    | Output Connector   |
| 3    | VR                 |
| 4    | Cover              |
| 5    | Chassis            |

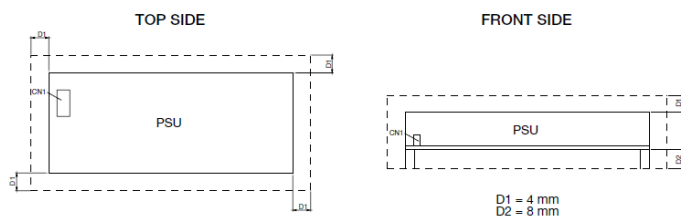
### Notes

- Dimensions are in mm
- For information on Mounting Torque, and I/O Connector and Housing, please refer to Table 1 (Page 6).
- For Enclosed type: There are 6 threaded mounting holes and 5 normal mounting holes.

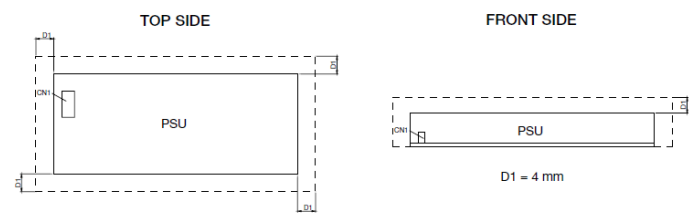
## Assembly & Installation

### Assembly Reference

#### ■ Open Frame



#### ■ L Frame / Enclosed



For safety reasons, please ensure the mounted device is kept at  $\geq 4\text{mm}$  safety distance at all sides from other components and equipments. **Please insert an insulation sheet between the system and product, if the safety distance is less than 4mm.**

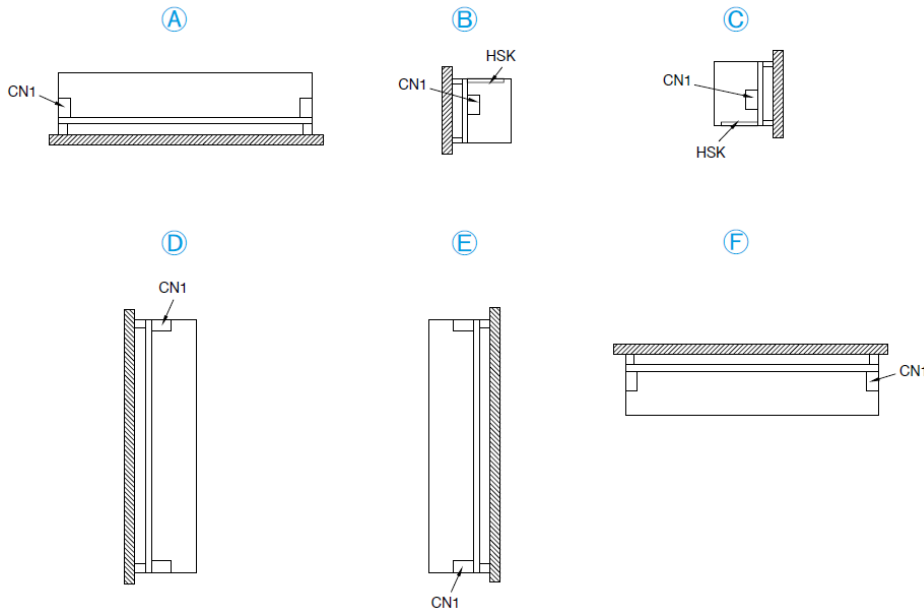
Use flexible cable (stranded or solid) of AWG No. 22-18. Please refer to Table 1 for the recommended Housing and Terminal.

| Table 1      | Connector (Board Mounting) | Housing | Terminal     |
|--------------|----------------------------|---------|--------------|
| Input (JST)  | B3P5-VH(LF)(SN)            | VHR-5N  | SVH-21T-P1.1 |
| Output (JST) | B4P-VH(LF)(SN)             | VHR-4N  |              |

# PJ Open Frame Power Supply

## 48V 50W 1 Phase / PJ-48V50W□NA

### Mounting Orientation

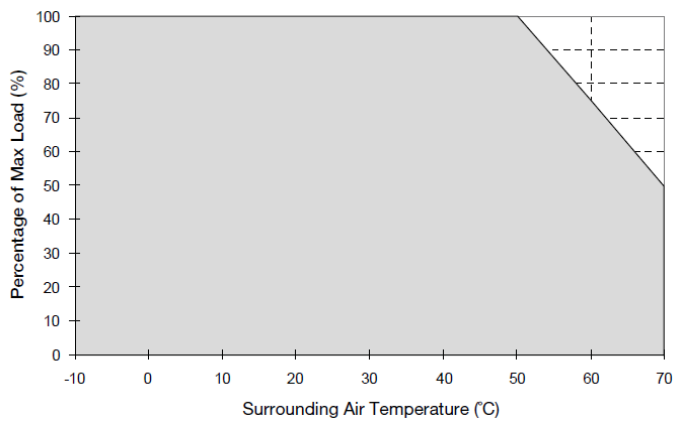


- Any excessive twisting or bending may damage the device's PCB. Please handle the device with care.
- The device is not recommended to be placed on low thermal conductive surfaces. For example, plastics.
- Prevent any foreign metal, particles or conductors from entering the device through the openings during installation. It may cause: -Electric shock; Safety hazard; Product failure.
- **The power supply must be mounted by metal screws onto a grounded metal surface. It is highly recommended that the Earth terminal on the connector be connected to the grounded metal surface.**

### Engineering Data

#### Convection

■ Open Frame / L Frame



■ Enclosed

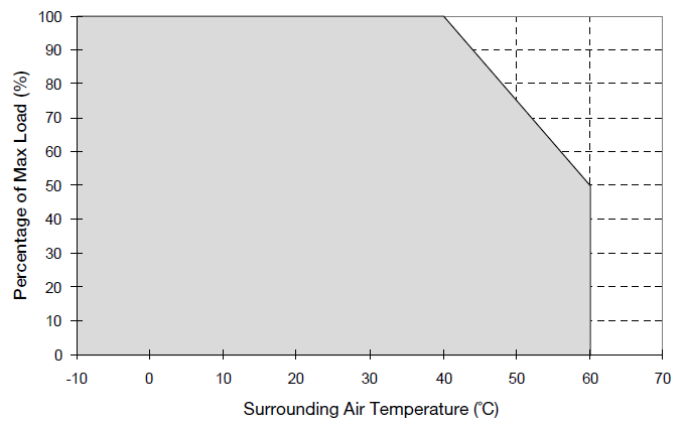


Fig.1.1 De-rating for Mounting Orientation A to F  
> 50°C de-rate power by 2.5% / °C

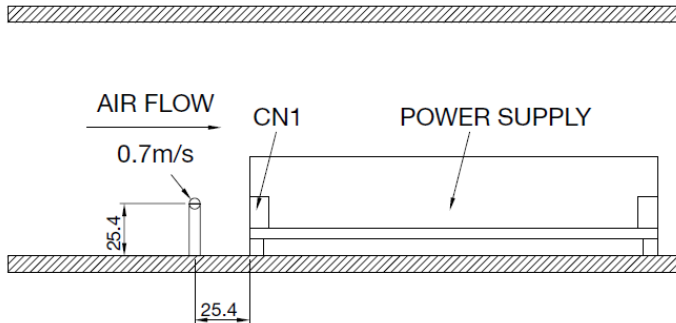
Fig.1.2 De-rating for Mounting Orientation A to F  
> 40°C de-rate power by 2.5% / °C

# PJ Open Frame Power Supply

## 48V 50W 1 Phase / PJ-48V50W□NA

### Forced Cooling (Air Velocity > 0.7m/s)

■ Air Flow Direction



■ Open Frame / L Frame

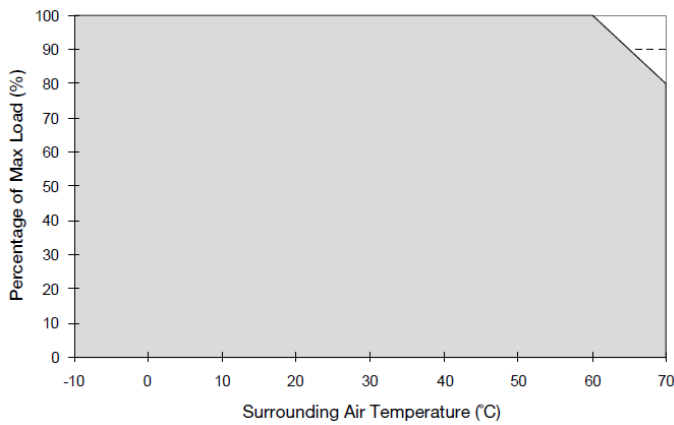


Fig.1.3 De-rating for Mounting Orientation A to F  
> 60°C de-rate power by 2% / °C

■ Enclosed

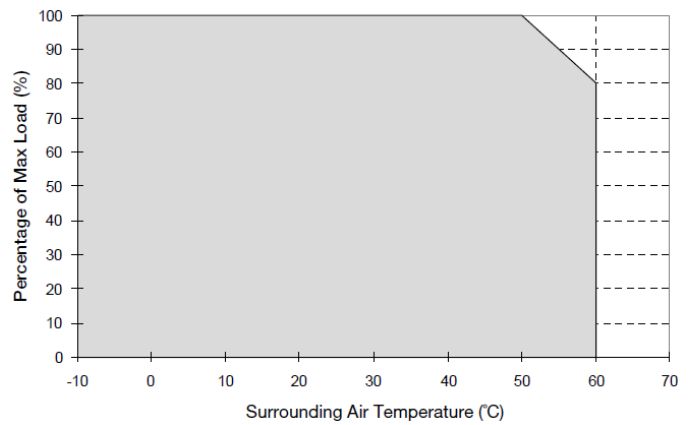


Fig.1.4 De-rating for Mounting Orientation A to F  
> 50°C de-rate power by 2% / °C

### Notes

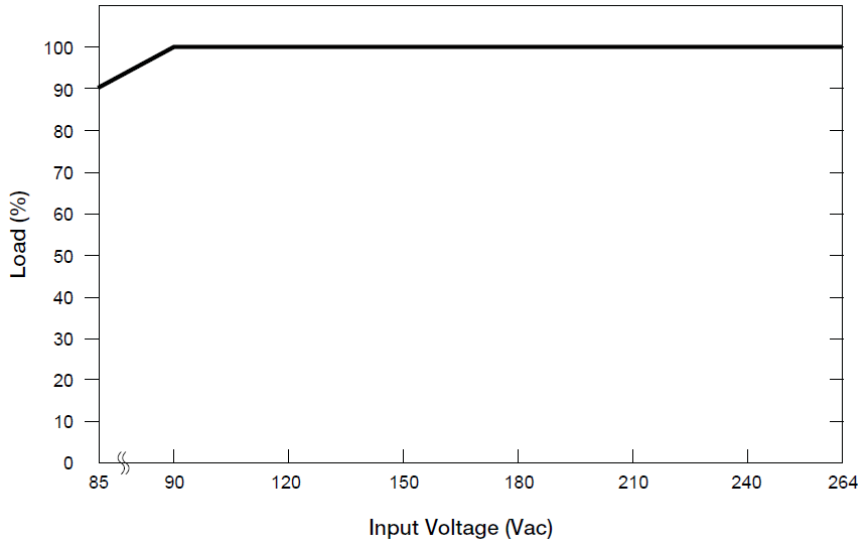
1. Power supply components may degrade, or be damaged, when the power supply is continuously used outside the shaded region, refer to the graphs shown above.
2. If the output capacity is not reduced when the surrounding air temperature is more than the upper limit temperature, the device will run into Over Temperature Protection. When activated, the output voltage will go into latch mode until the mains is reapplied and the surrounding air temperature drops to its normal operating temperature.
3. Depending on the surrounding air temperature and output load delivered by the power supply, the device housing can be very hot!
4. If the device has to be mounted in any other orientation, please do not hesitate to contact [info@deltapsu.com](mailto:info@deltapsu.com) for more details.



# PJ Open Frame Power Supply

## 48V 50W 1 Phase / PJ-48V50W□NA

### Output De-rating VS. Input Voltage



■ No output power de-rating for the input voltage range from 90Vac to 264Vac

### Functions

#### Start-up Time

The time required for the output voltage to reach 90% of its set value, after the input voltage is applied.

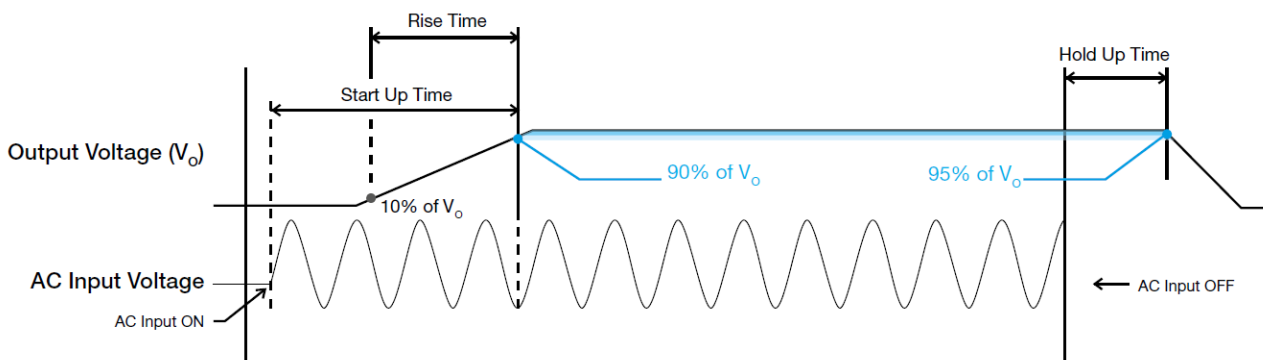
#### Rise Time

The time required for the output voltage to change from 10% to 90% of its set value.

#### Hold-up Time

Hold up time is the time when the AC input collapses and output voltage retains regulation for a certain period of time. The time required for the output to reach 95% of its set value, after the input voltage is removed.

#### ■ Graph illustrating the Start-up Time, Rise Time, and Hold-up Time



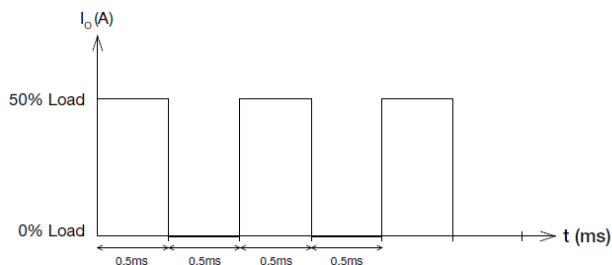
# PJ Open Frame Power Supply

## 48V 50W 1 Phase / PJ-48V50W□NA

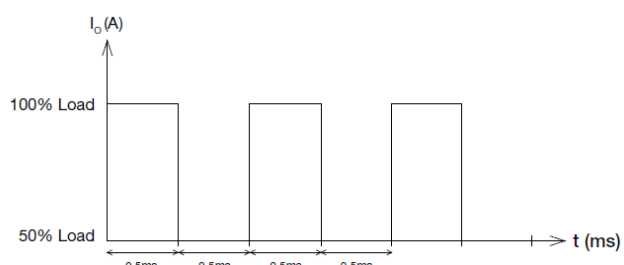
### Dynamic Response

The power supply output voltage will remain within  $\pm 5\%$  of its steady state value, when subjected to a dynamic load from 0 to 50% and 50 to 100% of its rated current.

#### 0 to 50% Load

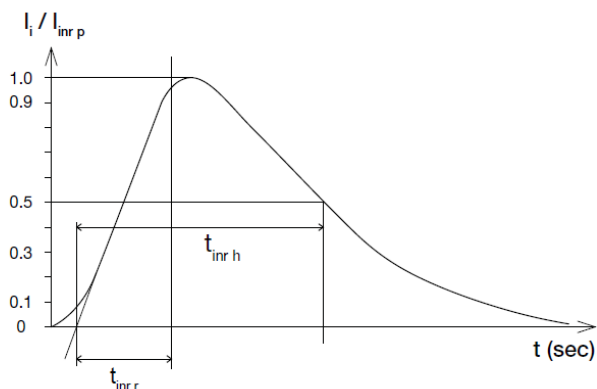


#### 50 to 100% Load



### Inrush Current

Inrush current is the peak, instantaneous, input current measured and, occurs when the input voltage is first applied. For AC input voltages, the maximum peak value of inrush current will occur during the first half cycle of the applied AC voltage. This peak value decreases exponentially during subsequent cycles of AC voltage.



### Overvoltage Protection

The power supply's overvoltage circuit will be activated when its internal feedback circuit fails. The output voltage shall not exceed its specifications defined on Page 3 under "Protections".

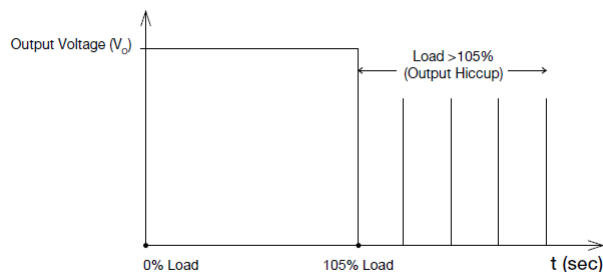
The power supply should be latch.

### Short Circuit Protection

The power supply's output OLP/OCP function also provides protection against short circuits. When a short circuit is applied, the output current will operate in "Hiccup mode", as shown in the illustration in the OLP/OCP section on this page. The power supply will return to normal operation after the short circuit is removed.

### Overload & Overcurrent Protections

The power supply's Overload (OLP) and Overcurrent (OCP) Protections will be activated when output current exceeds 105% of  $I_O$  (Max load). In such occurrence, the  $V_O$  will start to droop and once the power supply has reached its maximum power limit, the protection is activated and the power supply will go into "Hiccup mode" (Auto-Recovery). The power supply will recover once the fault condition of the OLP and OCP is removed and  $I_O$  is back within the specifications.



Additionally, if the  $I_O$  is  $< 105\%$  but  $> 100\%$  for a prolong period of time (depending on the load), the Over Temperature Protection (OTP) will be activated due to high temperature on critical components. The power supply will then go into latch mode until the fault is removed and the mains is reapplied.

### Over Temperature Protection

As mentioned above, the power supply also has Over Temperature Protection (OTP). This is activated when the overload condition persists for an extended duration and the output current is below the overload trigger point but  $> 100\%$  load. In the event of a higher operating condition at 100% load, the power supply will run into OTP when the surrounding air temperature is higher than the operating temperature. When activated, the output voltage will go into latch mode until the mains is reapplied and the surrounding air temperature drops to its normal operating temperature.

# PJ Open Frame Power Supply

## 48V 50W 1 Phase / PJ-48V50W□NA

### Others

#### Delta RoHS Compliant



#### Restriction of the usage of hazardous substances

The European directive 2011/65/EU limits the maximum impurity level of homogeneous materials such as lead, mercury, cadmium, chrome, polybrominated flame retardants PBB and PBDE for the use in electrical and electronic equipment. RoHS is the abbreviation for "Restriction of the use of certain hazardous substances in electrical and electronic equipment".

This product conforms to this standard.

#### Conformal Coating



#### The Protective Coating Technology

Delta Electronics Group has designed the perfect dipping technique which penetrates everywhere including under device, and prevents leakage. The conformal coating dipping can be applied to PCBs or circuit board. The coating preserves the performance of precision electronic primarily by preventing ionizable contaminants such as salt from reaching circuit nodes, where the material slumps around sharp edges. This can be a problem especially in highly conversing atmosphere.