

MICRO SWITCH

FREEPORT ILLINOIS, U.S.A
A DIVISION OF HONEYWELL
FED. MFG. CODE 91929

SWITCH - BASIC

CATALOG LISTING
V3L-389
CQ-E0265

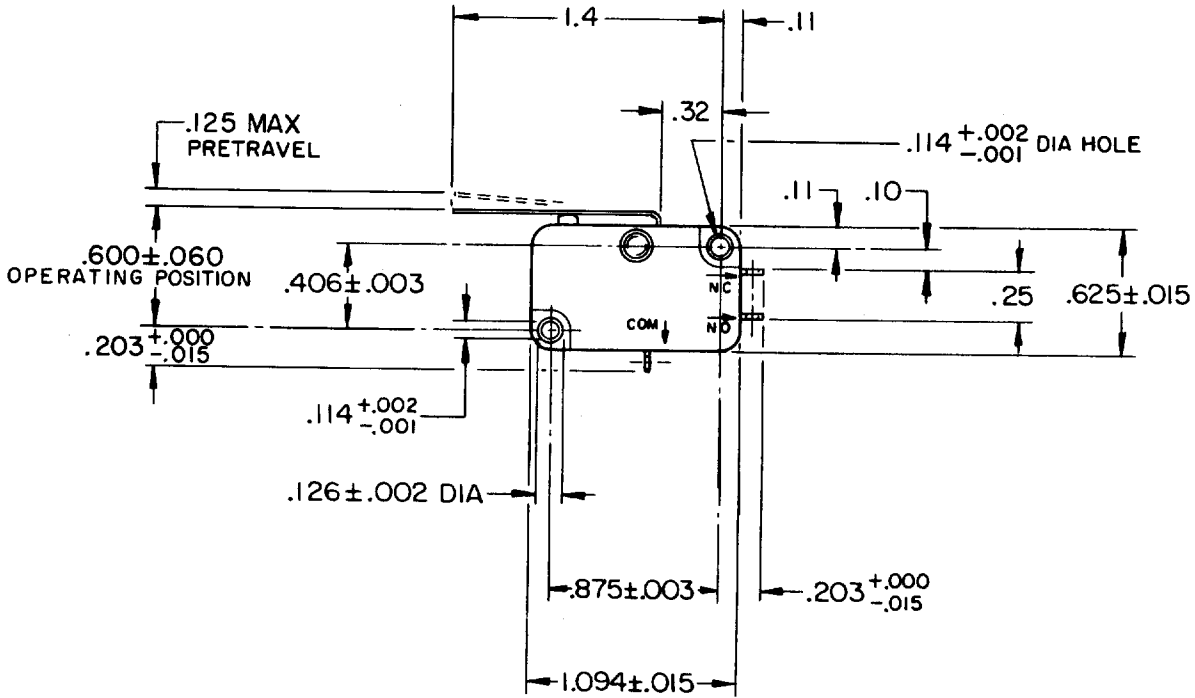
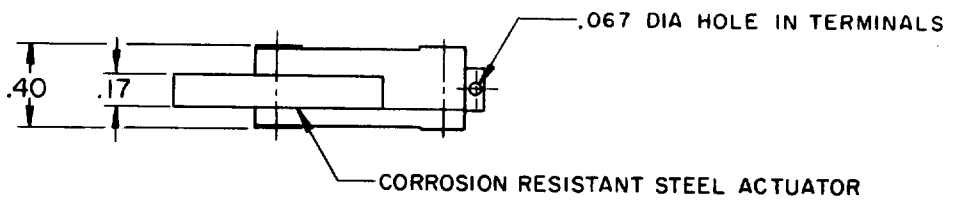
V3L-389

M

DRAWING NUMBER

ISSUE
X 5
X 5

REPLACES
RELEASE NO. PR-1876
CHECK
26 APR 04
AK
11 MAY 71
CHECK
10 MAY 71
DRAWN
OMW



NOTE -
1 - TERMINALS ARE SOLDER PLATED

THIS DRAWING COVERS A PROPRIETARY ITEM AND IS THE PROPERTY OF MICRO SWITCH, A DIVISION OF HONEYWELL. THIS DRAWING IS NOT TO BE COPIED OR USED WITHOUT THE APPROVAL OF MICRO SWITCH.

CHARACTERISTICS	
OPERATING FORCE	----- 4 OZ MAX
RELEASE FORCE	----- 1/2 OZ MIN
DIFFERENTIAL TRAVEL	----- .050 MAX
OVERTRAVEL	----- .090 MIN
RELEASE TRAVEL	----- .017 MIN

ELECTRICAL DATA	
CONTACT ARRANGEMENT S P D T	
- L156 - 11A-1/3HP-125-250-277 VAC 1/2A-125 VDC; 1/4A-250 VDC 4A-125 VAC "L"	

SCALE FULL	
DO NOT SCALE PRINT	
UNLESS OTHERWISE NOTED	
DIMENSIONS ARE IN INCHES	
TOLERANCES ARE:	
ONE PLACE	(.0) ±.030
TWO PLACE	(.00) ±.015
THREE PLACE	(.000) ±.005
ANGLES	±
WEIGHT	