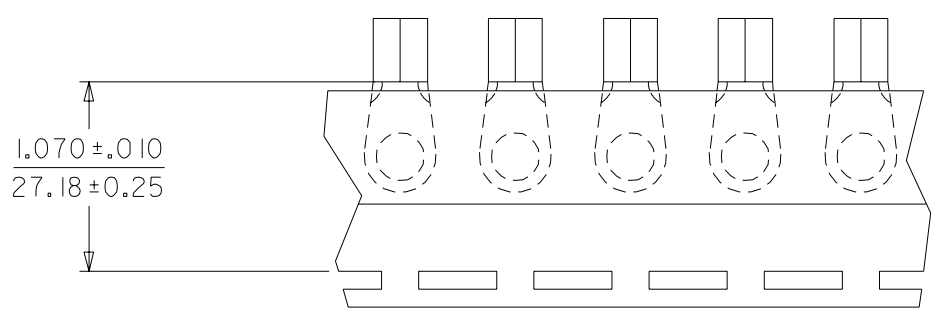
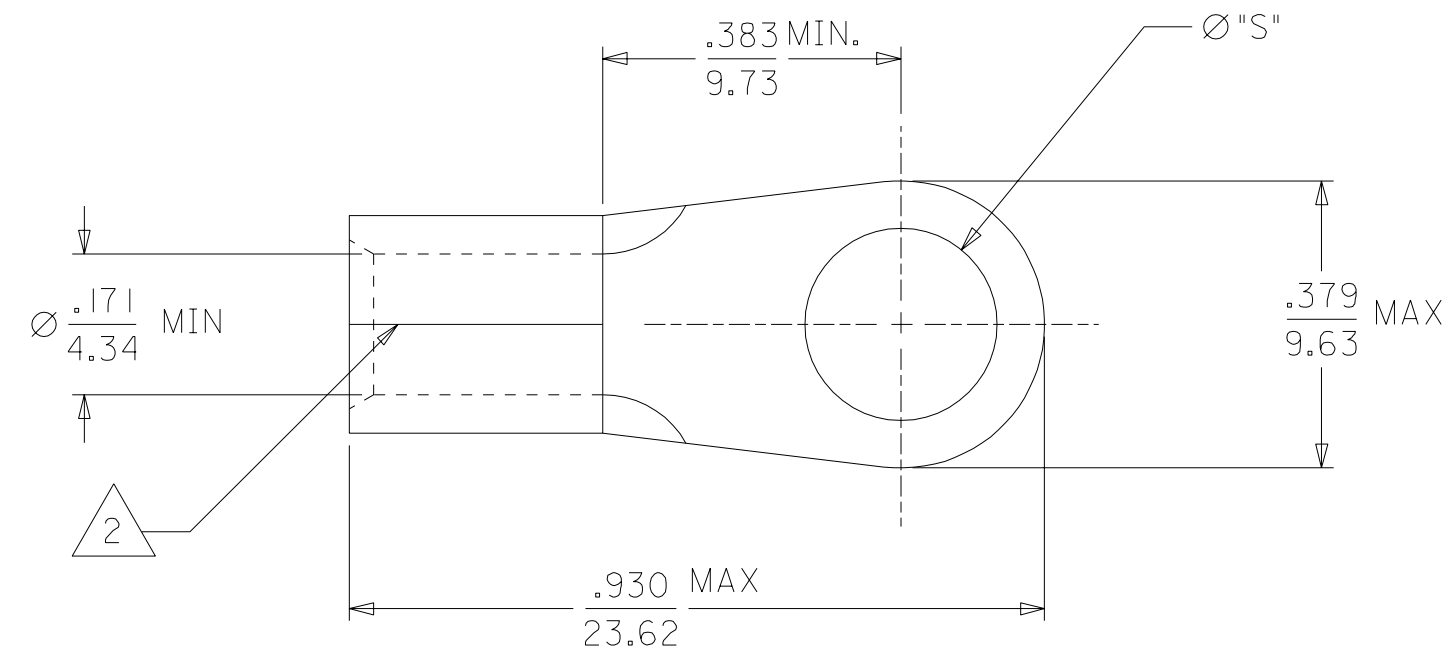


| MATERIAL NUMBER | ENGINEERING NUMBER | STUD SIZE | "S"<br>±.003/(0.08) | PACKAGING      |
|-----------------|--------------------|-----------|---------------------|----------------|
| 191930198       | D-356-06           | 6         | .146/(3.71)         | LOOSE<br>PIECE |
| 191930200       | D-356-08           | 8         | .173/(4.39)         |                |
| 191930202       | D-356-10           | 10        | .198/(5.03)         |                |
| 191930204       | D-356-14           | 14        | .265/(6.73)         |                |
| 191930199       | D-356-06T          | 6         | .146/(3.71)         | TAPE           |
| 191930201       | D-356-08T          | 8         | .173/(4.39)         |                |
| 191930203       | D-356-10T          | 10        | .198/(5.03)         |                |
| 191930205       | D-356-14T          | 14        | .265/(6.73)         |                |



TAPE MOUNTING LOCATION



# SALES DRAWING

NOTES:  
 1. MATERIAL: COPPER  
 PLATING: ELECTRO-TIN.  
 2. BRAZED SEAM.

|  |                 |   |   |   |                             |  |                             |                     |           |
|--|-----------------|---|---|---|-----------------------------|--|-----------------------------|---------------------|-----------|
| WAS SD-19069-012<br>EC NO. ETC2003-0333<br>DRWN: BRE 03/06/23<br>CHK: HEB 03/06/23<br>APPR: RWD 03/06/23 | QUALITY SYMBOLS | GENERAL TOLERANCES:<br>(UNLESS SPECIFIED) | SCALE<br>4:1  | DESIGN UNITS<br><input type="checkbox"/> mm <input checked="" type="checkbox"/> INCH  | THIRD ANGLE PROJECTION      | DIMENSIONS:<br><input type="checkbox"/> mm <input checked="" type="checkbox"/> INCH <input type="checkbox"/> mm ONLY | SHT                         | REV                 |           |
|  | MAJOR<br>= 0    | mm  | INCH  | DRAWN BY & DATE<br>BRE 03/06/18   | TITLE: RING TONGUE TERMINAL |  |                             |                     |           |
|  | CRITICAL<br>= 0 | 4 PLACES ±0.                              | ±.  | CHECKED BY & DATE<br>HEB 03/06/18   | VERSAKRIMP                  |  |                             |                     |           |
|  |                 | 3 PLACES ±0.                              | ±.  | APPROVED BY & DATE<br>RWD 03/06/18  | 8 AWG                       |  |                             |                     |           |
|  | 2 PLACES ±0.    | ±.  | ANGULAR: ±1/2°  | CAD FILENAME<br>SD-19193-012 .S01   | MATERIAL NO.<br>SEE CHART   |  | DRAWING NO.<br>SD-19193-012 | SHEET NO.<br>1 OF 1 |           |
|  | 1 PLACE ±0.     | ±.  | DRAFT WHERE APPLICABLE MUST<br>REMAIN WITHIN DIMENSIONS | THIS DRAWING CONTAINS INFORMATION THAT IS PROPRIETARY TO MOLEX<br>INCORPORATED AND SHOULD NOT BE USED WITHOUT WRITTEN PERMISSION. |                             |  |                             |                     | SIZE<br>B |