

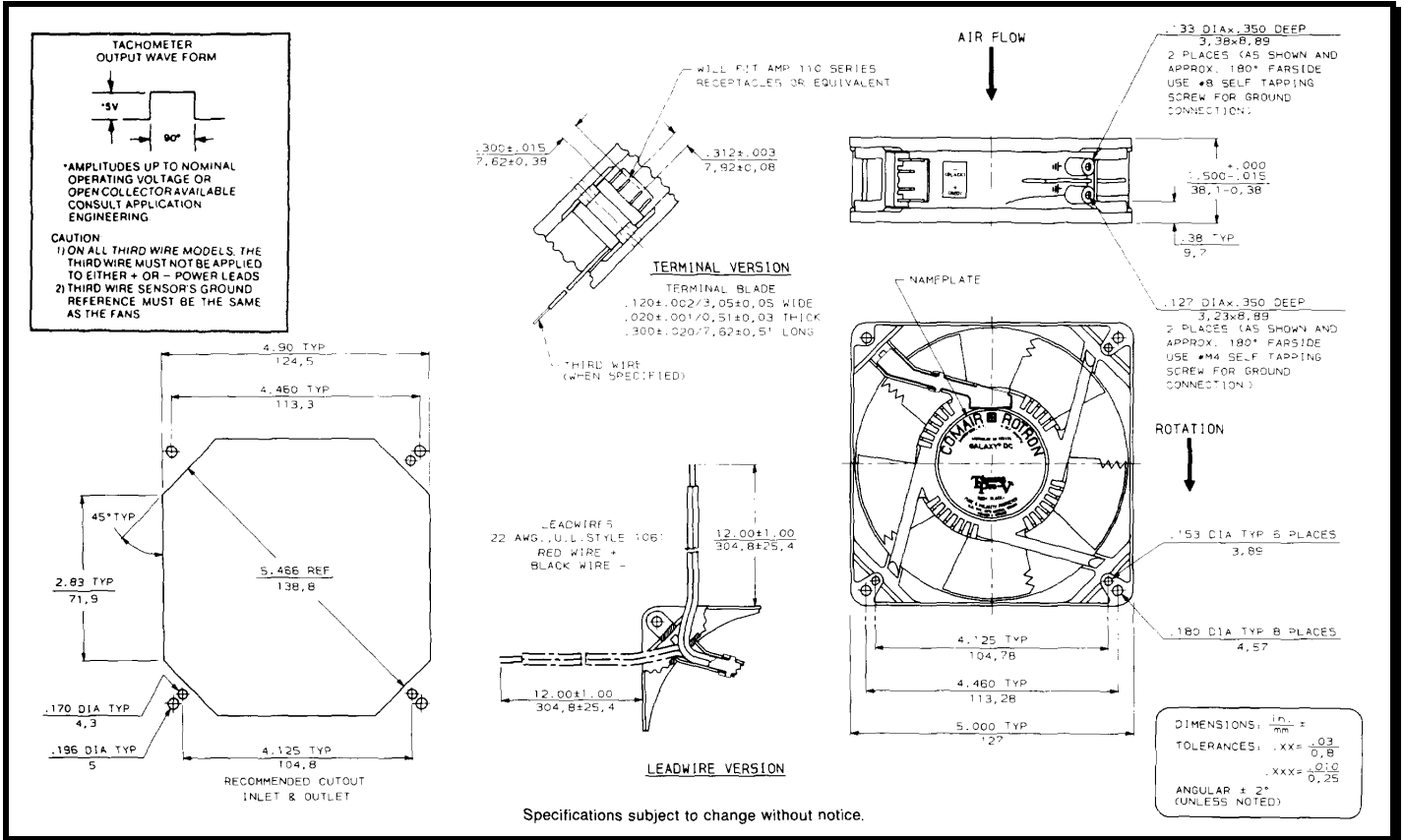
SPECIFICATIONS



Model Number: GLD24B3-E3
Part Number: 17001208A

Version: 00
Jun 13, 2018

Mechanical Drawing:



Motor:

Nominal Voltage	= 24 vdc
Operating Voltage Range	= 16 - 32 vdc
Nominal Running Current	= 0.63 amps
Locked Rotor Current	= 1.35 amps
Running Power	= 15.1 watts
Average Speed	= 3300 rpm
Bearings	= Ball
Air Flow	= 150 CFM
Acoustic	= 53.6 dBA

Construction:

Venturi: Die Cast Aluminum, Black
 Propeller: Polycarbonate, Black, UL 94V-0

Life Expectancy:

This fan is designed for continuous duty life of 60,000 hours at 70°C.

Additional Features:

Brushless DC Motor
 Polarity Protected
 Electronic Locked Rotor Protection
 Automatic Restart Capability
 Operating Temperature: -10°C to 70°C
 Storage Temperature: -40°C to 85°C
 Environmental Protection: Type 3(IP68)

Termination:

12" Lead wires, 22AWG, UL 1061
 Red - Power
 Black - Return

Agency Certification:

UL, CUL, CE

PQ Curve:

