

1. 製品名称／PRODUCT NAME : 0.4 WIRE TO BOARD CONN. PLUG HARNESS

製品番号／PART NUMBER : 5 0 1 8 0 0 - * * 0 0

5 0 1 8 0 0 - * * 0 1

5 0 1 8 0 0 - * * 3 0

5 0 1 8 0 0 - * * 3 1

5 0 1 8 0 0 - * * 3 2

(** は極数を示す)

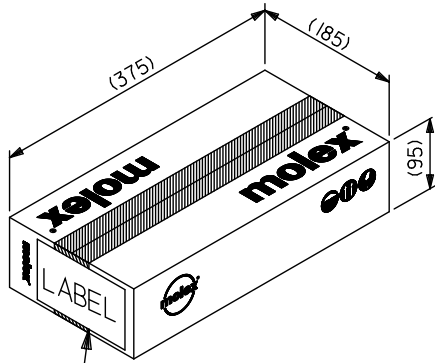
(** IS CIRCUITS SIZE)

2. 標準梱包数／STANDARD PACKAGING QUANTITY

極 数 CKT. SIZE	プラスチックトレイ(7升) PLASTIC TRAY (7 POCKETS)	内装カートン PRIMARY CARTON		外装カートン SHIPPING CARTON
	1 トレイ製品数 QTY. IN ONE TRAY	トレイ枚数 NUMBER OF TRAYS	製品数 QUANTITY	製品数(内装カートン×4) QUANTITY (PRIMARY CARTON X4)
30	5	10	50	200
40	5	10	50	200
50	5	10	50	200

REV.	A										
SHEET	1~2										
REVISE ON PC ONLY				TITLE:							
A	RELEASED J2015-1479 2015/05/20 T.NAKAGAWA			5 0 1 8 0 0 梱包仕様書 SALES PACKAGING SPEC. FOR 501800							
	THIS DOCUMENT CONTAINS INFORMATION THAT IS PROPRIETARY TO MOLEX INC. AND SHOULD NOT BE USED WITHOUT WRITTEN PERMISSION										
REV.	DESCRIPTION			WRITTEN BY: T.NAKAGAWA		CHECKED BY: T.HARUYAMA		APPROVED BY: H.HIRATA		DATE: YR/MO/DAY 2015/05/20	
DESIGN CONTROL J				STATUS						DOCUMENT NUMBER SPK-501800-027	
								FILE NAME SPK501800027.docx		SHEET 1 OF 2	

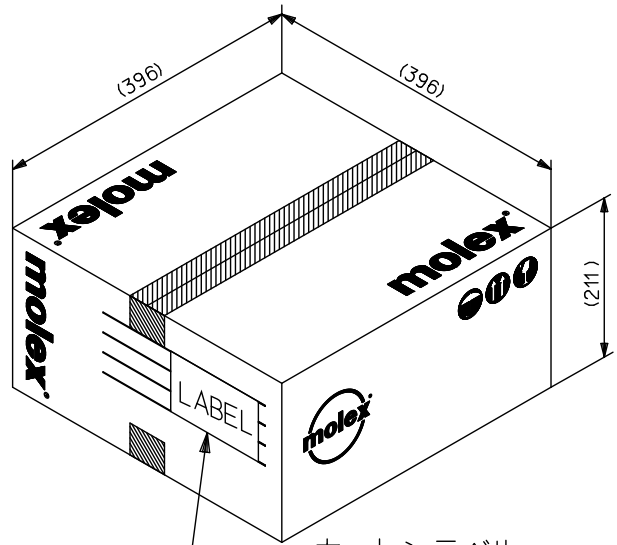
3. カートン外形参考寸法 / CARTON OUTER DIMENSIONS (REFERENCE PURPOSE ONLY) 単位 / UNIT: mm



現品票
PART IDENTIFICATION LABEL

(製品型番, 数量, ロットNO. 表示)
INDICATION OF PART No., QUANTITY, LOT No.

内装カートン
PRIMARY CARTON



カートンラベル
CARTON LABEL

(製品型番, 数量, ロットNO. 表示)
INDICATION OF PART No., QUANTITY, LOT No.

外装カートン
SHIPPING CARTON

A	REVISE ON PC ONLY	TITLE: 501800 梱包仕様書 SALES PACKAGING SPEC. FOR 501800
	SEE SHEET 1 OF 2	
REV.	DESCRIPTION	THIS DOCUMENT CONTAINS INFORMATION THAT IS PROPRIETARY TO MOLEX INC. AND SHOULD NOT BE USED WITHOUT WRITTEN PERMISSION
DOCUMENT NUMBER SPK-501800-027		FILE NAME SPK501800027.docx
		SHEET 2 OF 2
EN-037(2013-04 rev.1)		