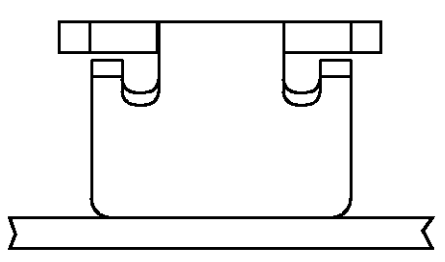


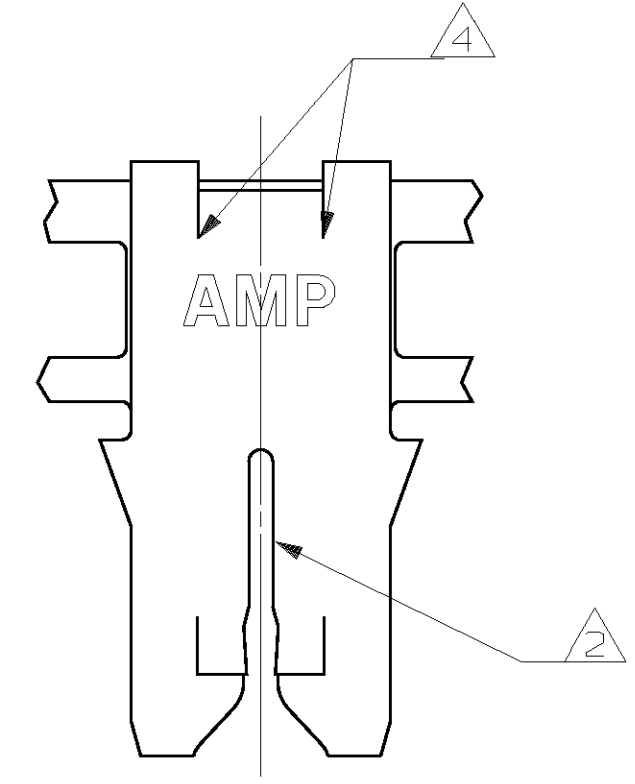
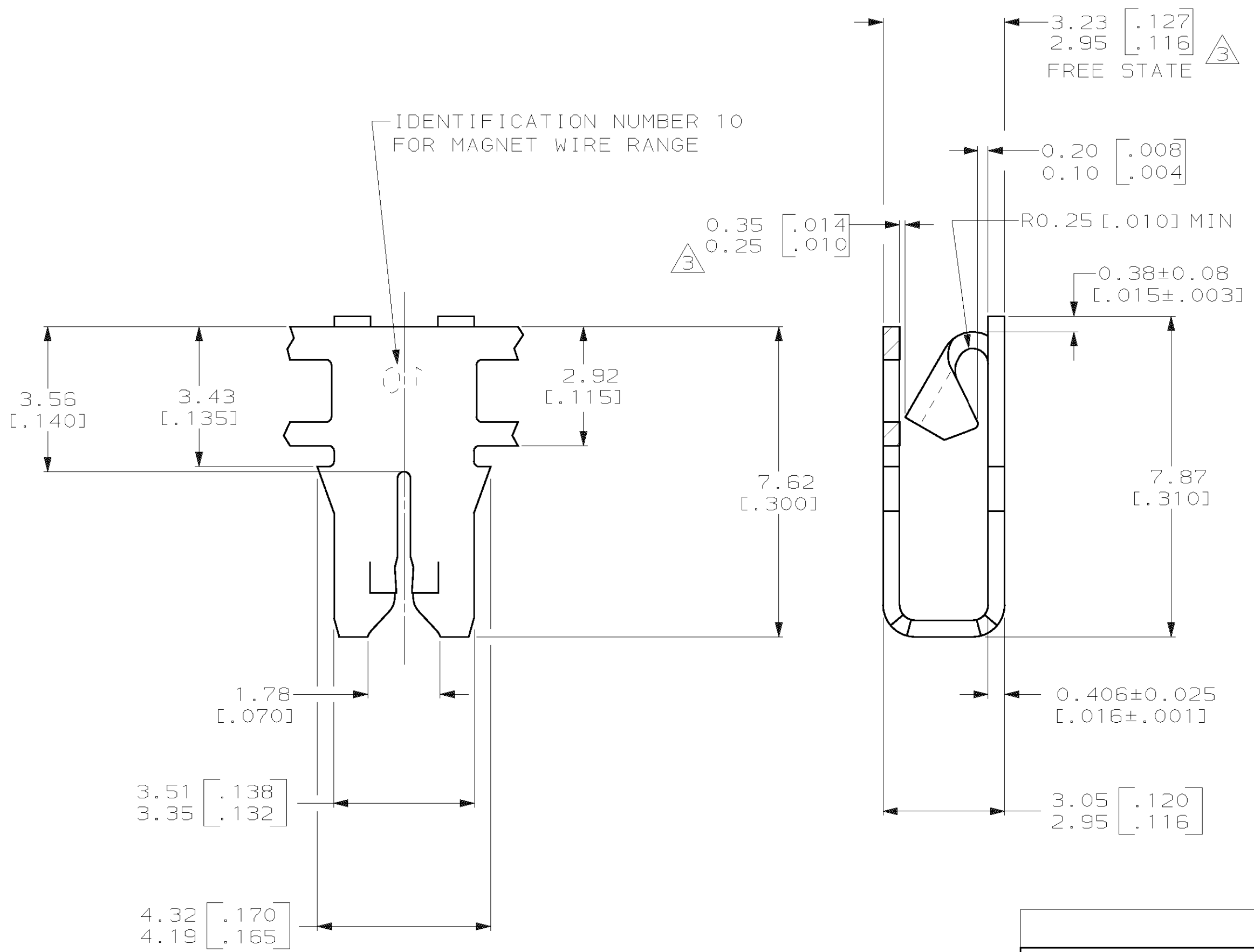
THIS DRAWING IS UNPUBLISHED. RELEASED FOR PUBLICATION, 19 .  
 © COPYRIGHT 19 BY AMP INCORPORATED. ALL INTERNATIONAL RIGHTS RESERVED.

LOC		DIST		REVISIONS			
ZONE	LTR	DESCRIPTION	DATE	APPD			
AF	50			C	REVISED PER 063A-0451-00	24JUL00	MF/KR



- 1 CONTINUOUS STRIP ON REELS (NO SPLICES) WITH TERMINALS LOCATED ON 5.59±0.08 [.220±.003] CENTERS.
  - 2 SLOT ACCEPTS 0.36-0.51mm [#27-#24] AWG COPPER MAGNET WIRE. SINGLE OR DOUBLE WIRE OF THE SAME SIZE AND TYPE.
  - 3 GAGING: G0, 0.241 [.0095] NO/G0, 0.318 [.0125]. FREE STATE AND GAP AT CARRIER SIDE TO BE MAINTAINED PER CHART PROVIDED.
- | FREE STATE            | CARRIER GAP           |
|-----------------------|-----------------------|
| 2.95-3.12 [.116-.123] | 0.25-0.35 [.010-.014] |
| 3.15 [.124]           | 0.28-0.35 [.011-.014] |
| 3.18 [.125]           | 0.30-0.35 [.012-.014] |
| 3.20 [.126]           | 0.33-0.35 [.013-.014] |
| 3.23 [.127]           | 0.35 [.014]           |
- CARRIER SIDE GAP 0.25-0.35 [.010-.014] TO BE CHECKED WHEN FREE STATE IS COMPRESSED TO 3.12 [.123].

4 NO CRACKS OR TEARS PERMISSIBLE ALONG SHEAR AND BEND LINE



63861-1

PART NO

DO NOT SCALE PRINT. UNLESS SPECIFIED DIMENSIONS IN mm [INCHES] TOLERANCES ON : 2 PLC DEC ± 0.25 [.010] 3 PLC DEC ± - ANGLES ± -	DR 07/JUN/95 MICHAEL S. FEHER	AMP Incorporated Harrisburg, PA 17105-3608		
	CHK 08/JUN/95 JEFF R. RUTH			NAME
MATERIAL UNS C511 H04 PHOS. BRONZE AMP SPEC 100-221	APPD 08/JUN/95 KURT A. RANDOLPH	TERMINAL, POKE-IN, 300 SERIES MAG-MATE™		
FINISH 0.002032 [.000080] MIN TIN PLATE	APPD 08/JUN/95 TERRY L. SHUTTER			
	PRODUCT SPEC 108-2012	SIZE	CAGE CODE	DRAWING NO
	APPLICATION SPEC 114-2046	C	00779	C=63861
	WEIGHT -	SCALE 10:1	SHEET 1 OF 1	

THIS DRAWING IS A CONTROLLED DOCUMENT FOR AMP INCORPORATED. IT IS SUBJECT TO CHANGE AND THE CONTROLLING ENGINEERING ORGANIZATION SHOULD BE CONTACTED FOR THE LATEST REVISION.