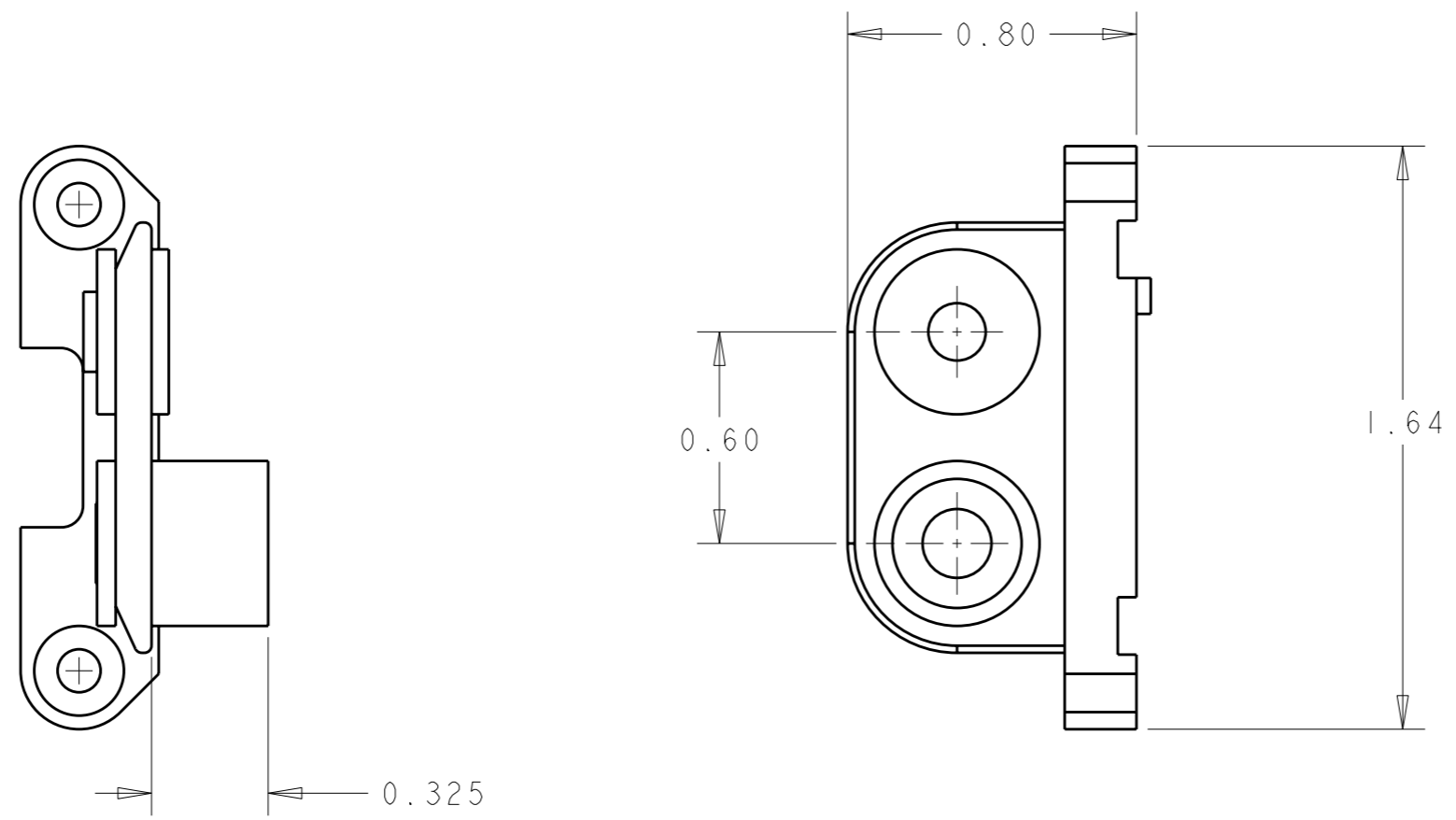


THIS DRAWING IS UNPUBLISHED. RELEASED FOR PUBLICATION 20  
 © COPYRIGHT 20 BY TYCO ELECTRONICS CORPORATION. ALL RIGHTS RESERVED.

LOC		DIST		REVISIONS			
P	LTR	DESCRIPTION		DATE	DWN	APVD	
-	-	A	NEW RELEASE	24OCT2008	CR	DO	



- PART NUMBER CHANGES AND/OR DESIGN CHANGES AFFECTING INTERCHANGEABILITY REQUIRE PRIOR TYCO ELECTRONICS APPROVAL AND AUTHORIZATION BY REVISION TO THIS DRAWING
- ITEMS PROVIDED TO THIS SPECIFICATION TO BE PERMANENTLY IDENTIFIED PER THE FOLLOWING IDENTIFIER LABEL

TYCO ELECTRONICS P/N: XXXXXXXX-X  
 DATE CODE (e.g. 0106): YEAR WEEK  
 XXXX

AS SHOWN	6648254-1
DESCRIPTION	PART NO.

<small>THIS DRAWING IS A CONTROLLED DOCUMENT FOR TYCO ELECTRONICS CORPORATION. IT IS SUBJECT TO CHANGE AND THE CONTROLLING ENGINEERING ORGANIZATION SHOULD BE CONTACTED FOR THE LATEST REVISION.</small>		DWN C. ROHLER 24OCT2008 CHK D. ORRIS 24OCT2008 APVD M. PERCHERKE 24OCT2008		Tyco Electronics Harrisburg, PA 17105-3608	
DIMENSIONS: INCHES 		TOLERANCES UNLESS OTHERWISE SPECIFIED: 0 PLC ±. 1 PLC ±. 2 PLC ±.02 3 PLC ±.010 4 PLC ±. ANGLES ±.5		NAME: END CAP, FLOAT MOUNT GUIDE BUSHING, MODULE L DOMINO	
MATERIAL: -		FINISH: -		PRODUCT SPEC: - APPLICATION SPEC: - WEIGHT: -	
ELCON		DOMINO		SIZE: A3 CAGE CODE: 300779 DRAWING NO: C-6648254	RESTRICTED TO: -
CUSTOMER DRAWING				SCALE: 2:1	SHEET 1 OF 1 REV A