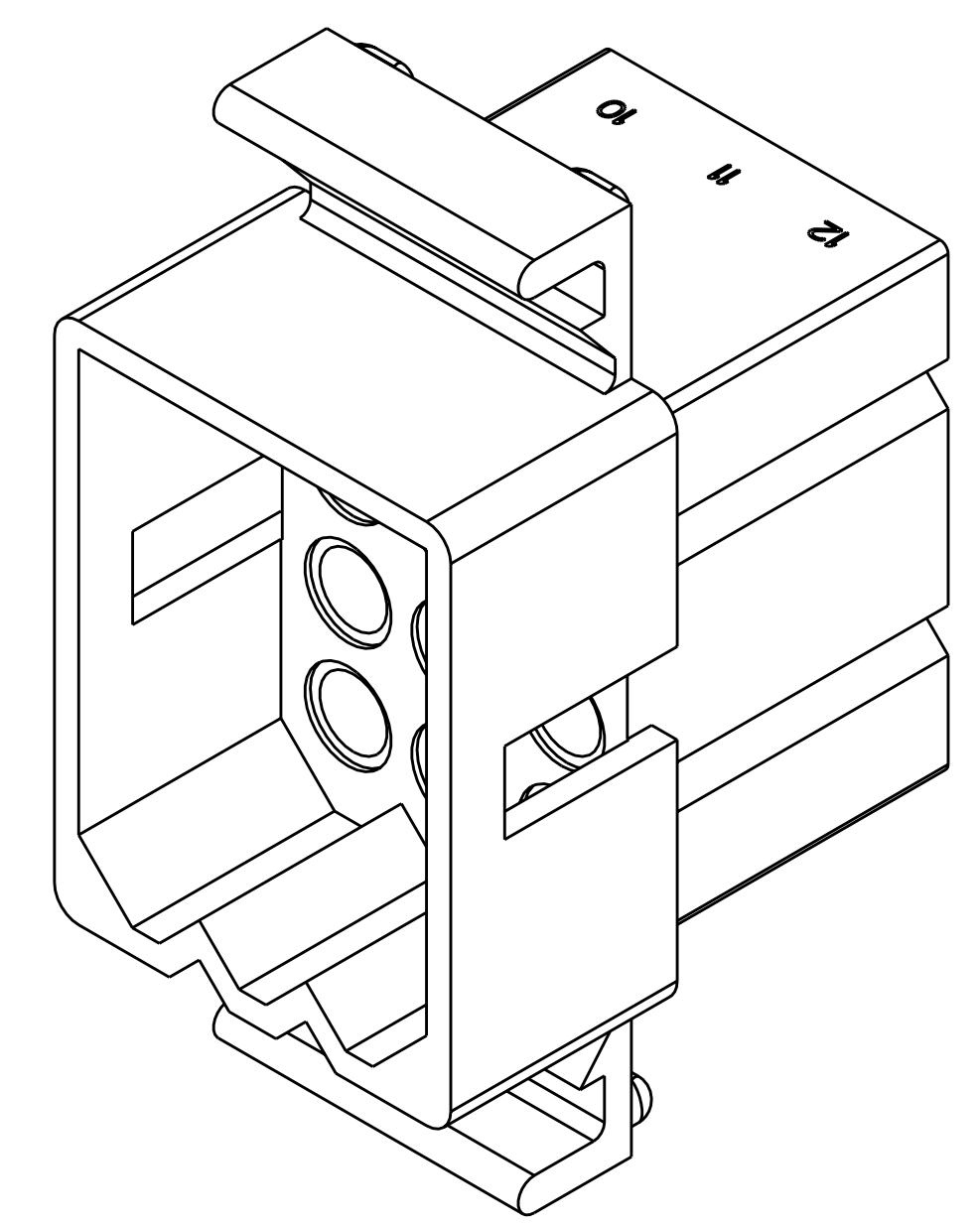
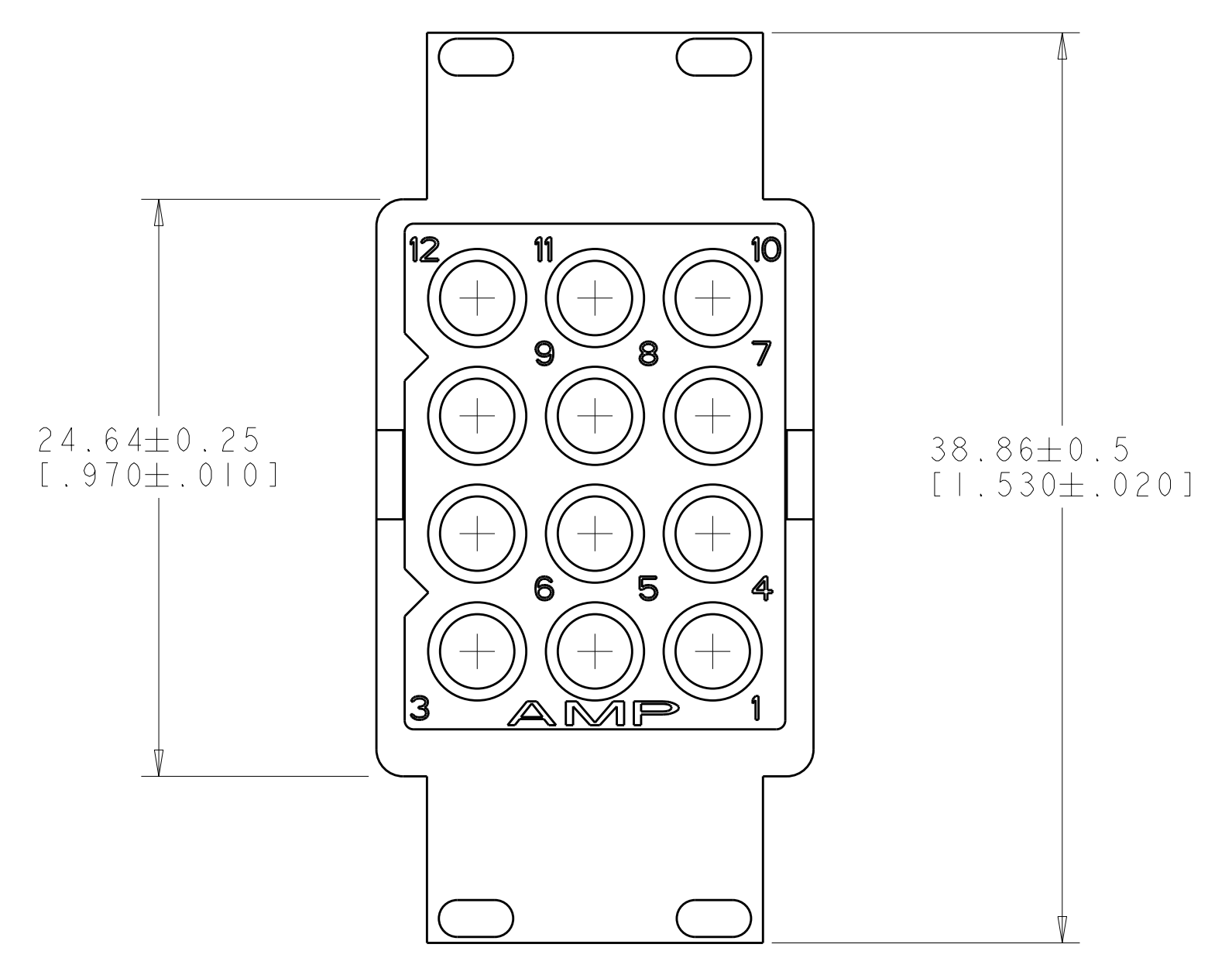
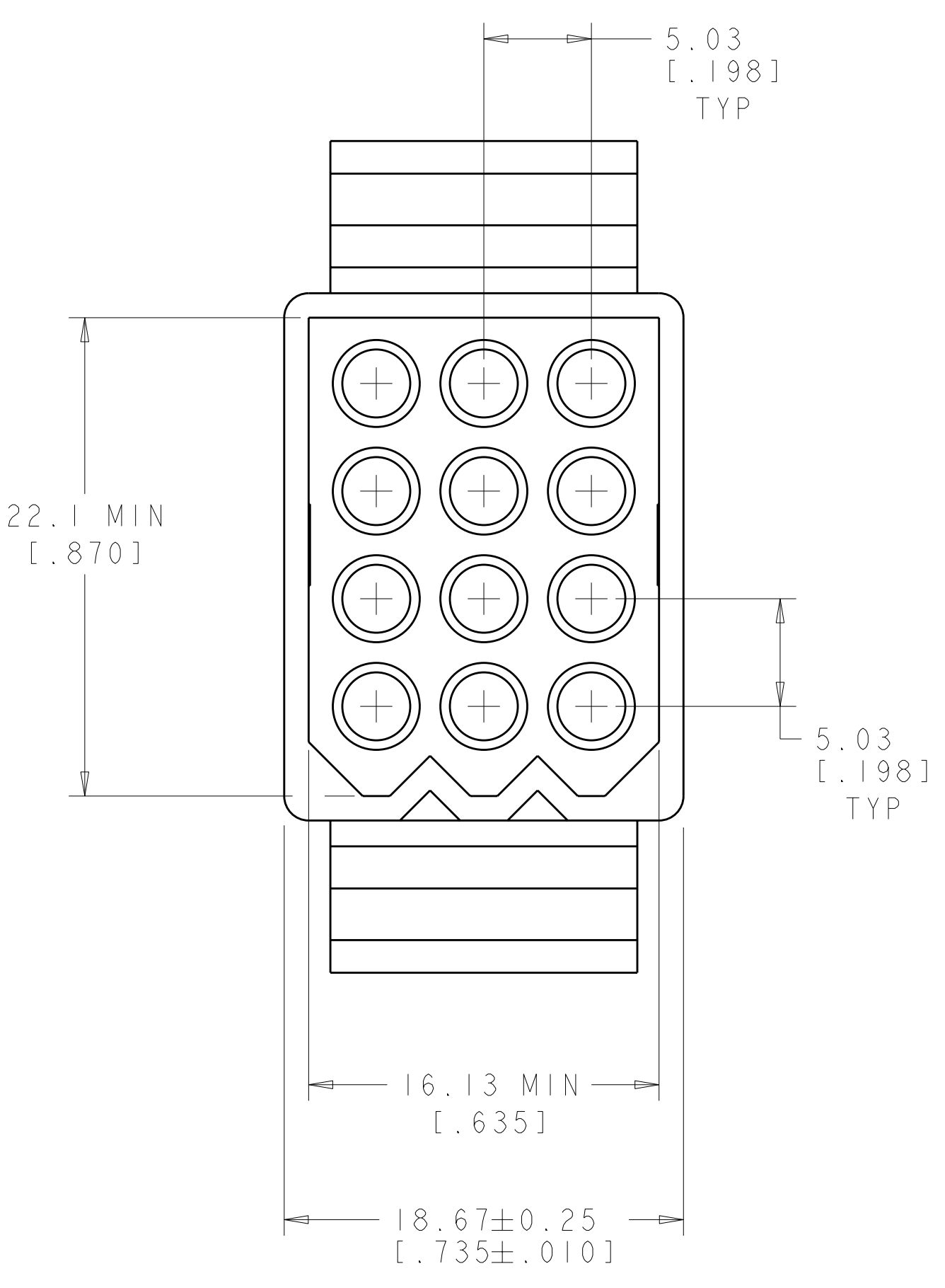
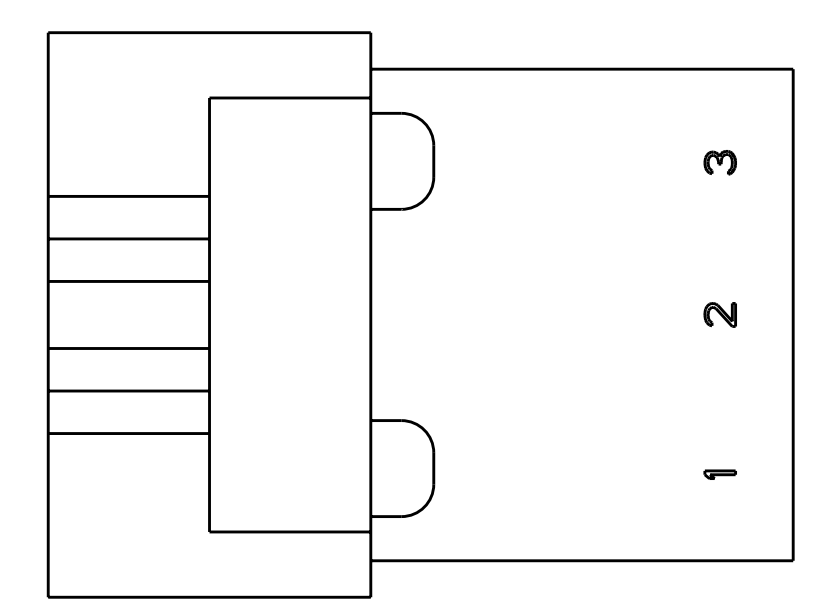
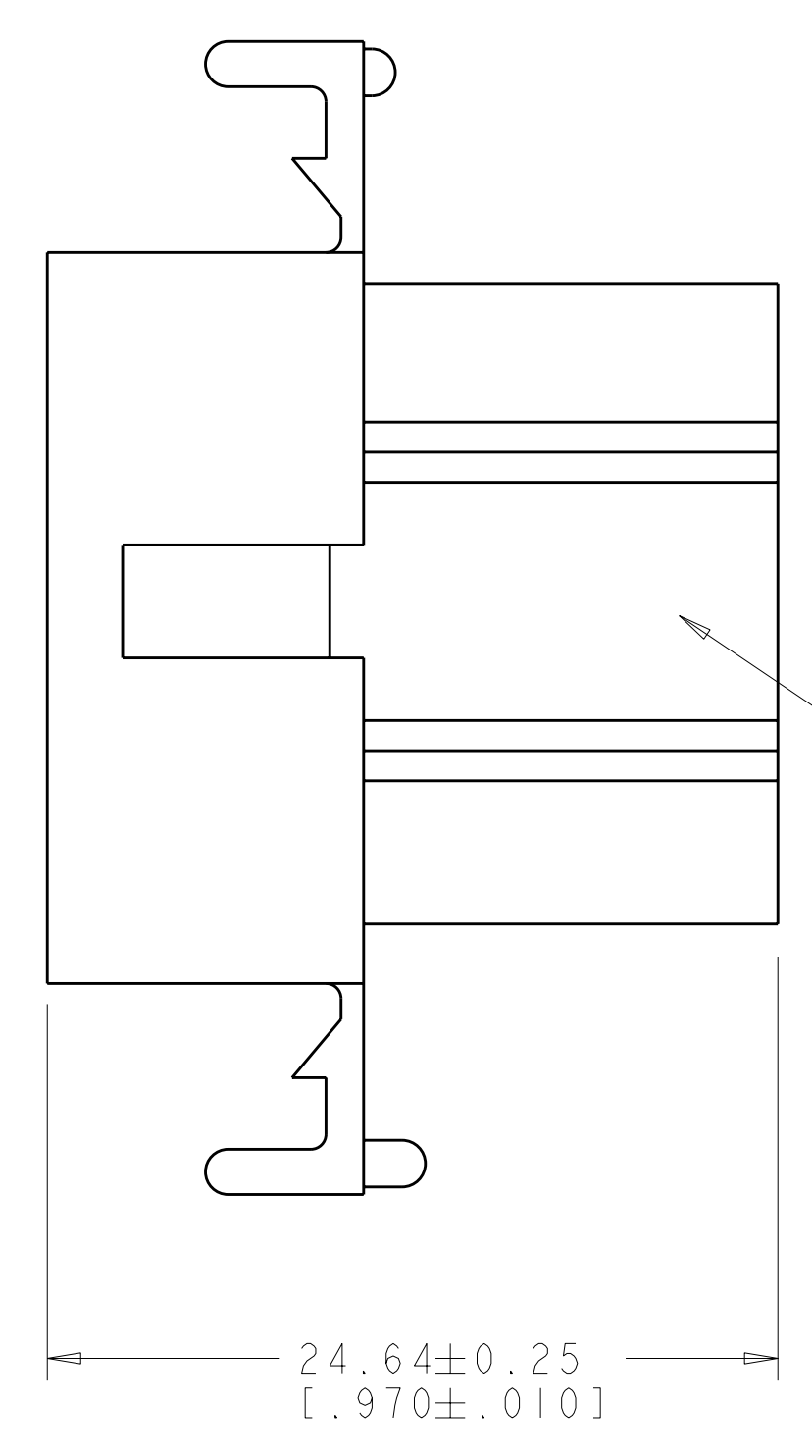
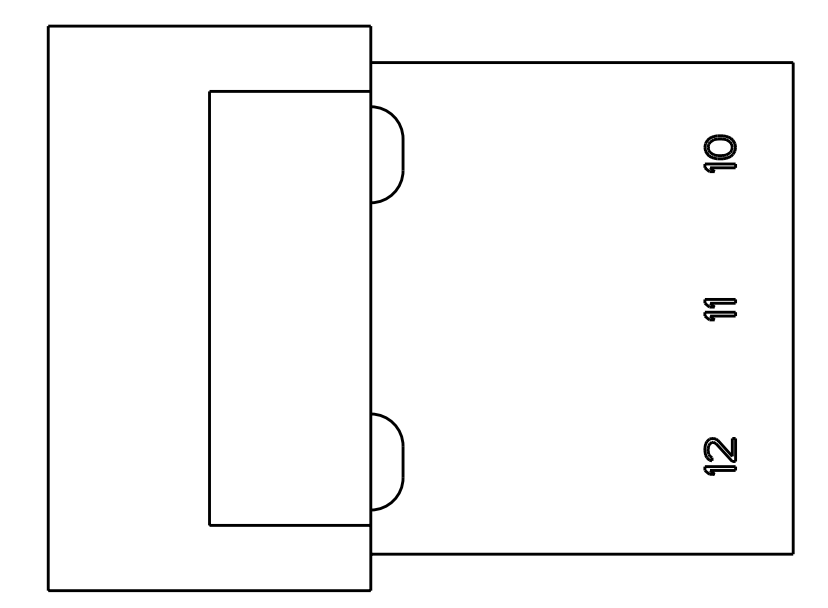
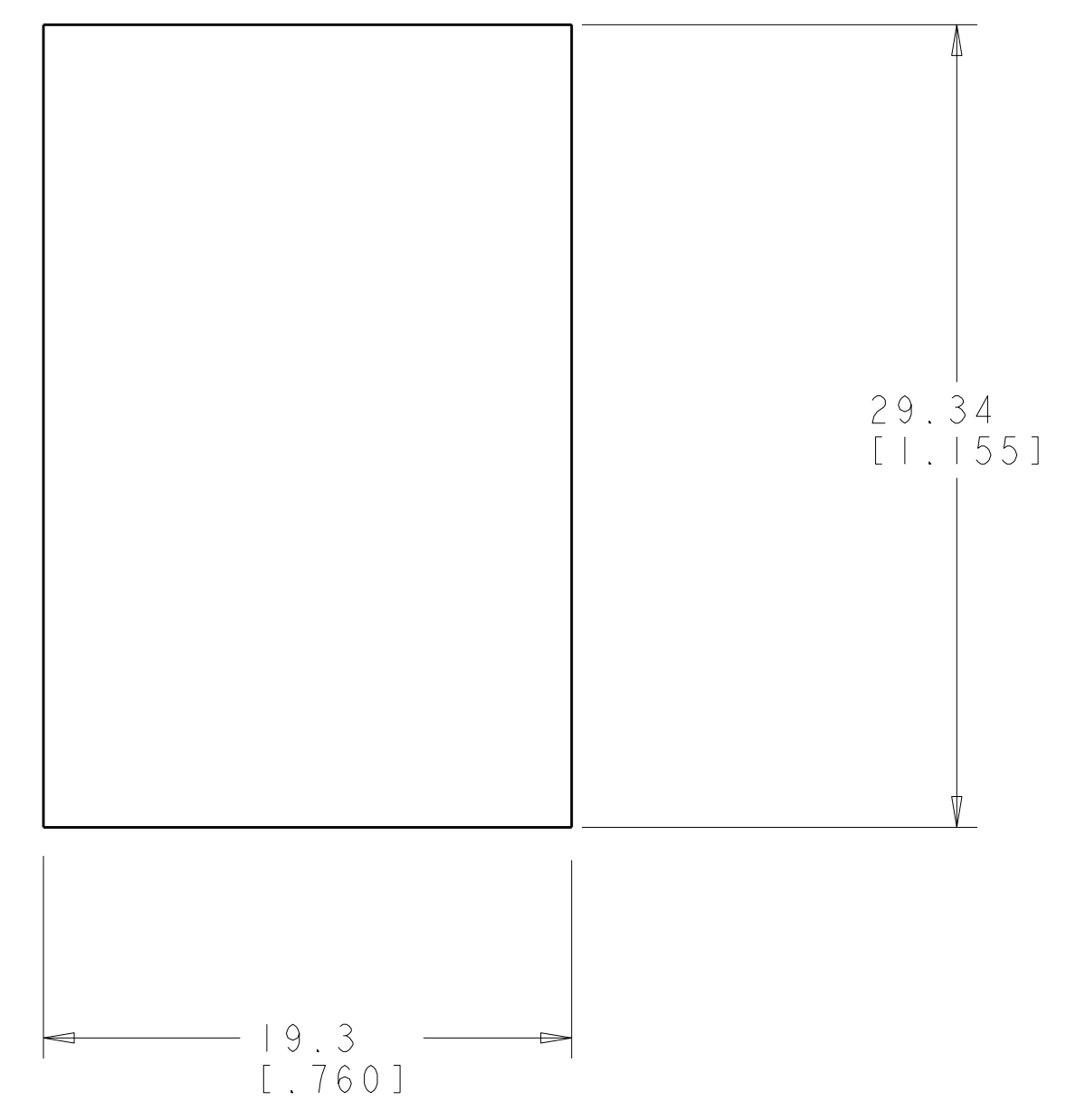


LOC	DIST	REV	DATE	DWN	APVD
CM	00	G	ECO-07-020239	12OCT2007	KW CC



- 1 MATERIAL: NYLON UL94V-2 (NATURAL).
- 2. RECOMMENDED PANEL THICKNESS 2.29 [.090] MAX.
- 3 MARKINGS FOR UL LOGO AND CSA LOGO LOCATED ON THIS SURFACE. OPPOSITE SIDE IS OPTIONAL LOCATION.



RECOMMENDED PANEL CUTOUT

**METRIC**

0.272 IN <sup>3</sup>	770101-1
VOLUME	PART NUMBER

<small>THIS DRAWING IS UNPUBLISHED. RELEASED FOR PUBLICATION BY TYCO ELECTRONICS CORPORATION. ALL RIGHTS RESERVED.</small>		DWN: R. WHITAKER 12OCT2007 CHK: C. CASH 12OCT2007 APVD: C. CASH 12OCT2007	Tyco Electronics Harrisburg, PA 17105-3608
DIMENSIONS: mm [INCHES]	TOLERANCES UNLESS OTHERWISE SPECIFIED: 9 PLC ± 8 PLC ±0.13 (1.005) 5 PLC ± 4 PLC ± ANGLES ±40° 30'	NAME: PLUG, 12 CIRCUIT, .093 COMMERCIAL PIN AND SOCKET PRODUCT SPEC: APPLICATION SPEC: WEIGHT:	SIZE: A   00779   C=770101 SCALE: 4:1 SHEET 1 OF 1 REV G
MATERIAL:  FINISH:		CUSTOMER DRAWING	