

LAYOUT SHOWN AS EXAMPLE

Keying Shown as example

CHARACTERISTICS

- Standard : Based on MIL-DTL-38999 Series III
- Shell Material : Aluminium
- Shell Plating : Nickel
- Insulator : Thermoplastic
- Contacts : Copper Alloy
- Seals & Grommet : Silicon Elastomer
- Contact Plating : Gold over copper Alloy 0.8µm minimum
- Durability : 500 Mating cycles
- Delivered with Souriau contacts and Accessories
- Temperature Range : -65°C to +200°C
- Salt Spray : 48 hours
- Mass : 66.43 g ± 10%

Connector dimension	
Dim	Nominal
P	3.91±0.2
PP	6.15±0.2
R1	34.93
R2	31.75
S	42.9±0.3
V	20.07+0/-1.25
W	2.1/3.2
Z	31.5 Max
VV THREAD	M34x1-6g

SOURIAU shall not be liable for any non-conformity or damage due to a use of the Products which does not comply with the Specifications issued by either of the Parties or by a third party (professional recommendation, technical notice.)

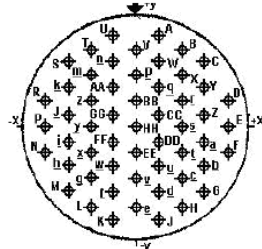
Country	Jurisdiction & Control List
FR	Not Listed

PN: 8D023F55BN

A	22-09-2016	First Release	
ISS	DATE	Latest modification - by	MOD N°
Designed By:		Date:	CUSTOMER DRAWING
TITLE	Aluminium Receptacle 8D series		
SCALE		General linear Tolerances: ±--	NPRDS / PROJECT 859
NA			This document is the property of SOURIAU it must not be reproduced or communicated without permission
SOURIAU	WWW.SOURIAU.COM		
FORMAT	SOURIAU DRG N° 8D023F55BN-C		SHEET 1/2

BASIC SERIES:	8D	0	-	23	F	55	B	N
SHELL TYPE	: Square Flange Receptacle							
CONTACT TYPE	: Standard Crimp Contact							
SHELL SIZE	: 23							
PLATING	: F = Nickel							
								ORIENTATION : N
								CONTACT TYPE : SOCKET(500 Matings)
								CONTACT LAYOUT : 23-55

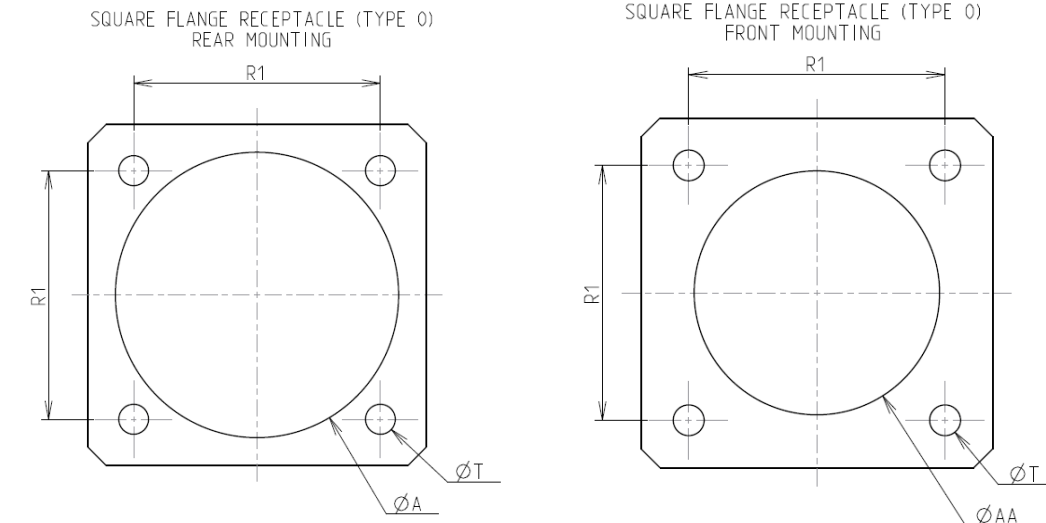
Contact Layout



Contact position ID	Location		Contact position ID	Location	
	X-axis (mm)	Y-axis (mm)		X-axis (mm)	Y-axis (mm)
A	+112 (2.84)	+455 (11.56)	f	-112 (2.84)	-325 (8.26)
B	+225 (5.72)	+390 (9.91)	g	-225 (5.72)	-260 (6.60)
C	+336 (8.53)	+325 (8.26)	h	-336 (8.53)	-195 (4.95)
D	+450 (11.43)	+130 (3.30)	i	-336 (8.53)	-065 (1.65)
E	+450 (11.43)	+000 (0.00)	j	-336 (8.53)	+065 (1.65)
F	+450 (11.43)	-130 (3.30)	k	-336 (8.53)	+195 (4.95)
G	+336 (8.53)	-325 (8.26)	m	-225 (5.72)	+260 (6.60)
H	+225 (5.72)	-390 (9.91)	n	-112 (2.84)	+325 (8.26)
J	+112 (2.84)	-455 (11.56)	p	+000 (0.00)	+260 (6.60)
K	-112 (2.84)	-455 (11.56)	q	+112 (2.84)	+195 (4.95)
L	-225 (5.72)	-390 (9.91)	r	+225 (5.72)	+130 (3.30)
M	-336 (8.53)	-325 (8.26)	s	+225 (5.72)	+000 (0.00)
N	-450 (11.43)	-130 (3.30)	t	+225 (5.72)	-130 (3.30)
P	-450 (11.43)	+000 (0.00)	u	+112 (2.84)	-195 (4.95)
R	-450 (11.43)	+130 (3.30)	v	+000 (0.00)	-260 (6.60)
S	-336 (8.53)	+325 (8.26)	w	-112 (2.84)	-195 (4.95)
T	-225 (5.72)	+390 (9.91)	x	-225 (5.72)	-130 (3.30)
U	-112 (2.84)	+455 (11.56)	y	-225 (5.72)	+000 (0.00)
V	+000 (0.00)	+390 (9.91)	z	-225 (5.72)	+130 (3.30)
W	+112 (2.84)	+325 (8.26)	AA	-112 (2.84)	+195 (4.95)
X	+225 (5.72)	+260 (6.60)	BB	+000 (0.00)	+130 (3.30)
Y	+336 (8.53)	+195 (4.95)	CC	+112 (2.84)	+065 (1.65)
Z	+336 (8.53)	+065 (1.65)	DD	+112 (2.84)	-065 (1.65)
a	+336 (8.53)	-065 (1.65)	EE	+000 (0.00)	-130 (3.30)
b	+336 (8.53)	-195 (4.95)	FF	-112 (2.84)	-065 (1.65)
c	+225 (5.72)	-260 (6.60)	GG	-112 (2.84)	+065 (1.65)
d	+112 (2.84)	-325 (8.26)	HH	+000 (0.00)	+000 (0.00)
e	+000 (0.00)	-390 (9.91)	---	---	---

Shell size	Arrangement no.	Number of contacts	Size contacts	Service rating	Contact location	Supersedes
23	55	55	20	I	All	---

Panel Cutout



Dim	Nominal
ØA	39.29 min
ØAA	34.93 min
R1	34.93
ØT	3.91 ±0.13

SOURIAU shall not be liable for any non-conformity or damage due to a use of the Products which does not comply with the Specifications issued by either of the Parties or by a third party (professional recommendation, technical notice.)

Country	Jurisdiction & Control List
FR	Not Listed

PN: 8D023F55BN

A	22-09-2016	First Release	
ISS	DATE	Latest modification - by	MOD N°
Designed By:		Date:	CUSTOMER DRAWING
TITLE	Aluminium Receptacle 8D series		
SCALE		General linear Tolerances:	NPRDS / PROJECT
NA		±--	859
SOURIAU	WWW.SOURIAU.COM		This document is the property of SOURIAU it must not be reproduced or communicated without permission
FORMAT	SOURIAU DRG N° 8D023F55BN-C		SHEET 2/2