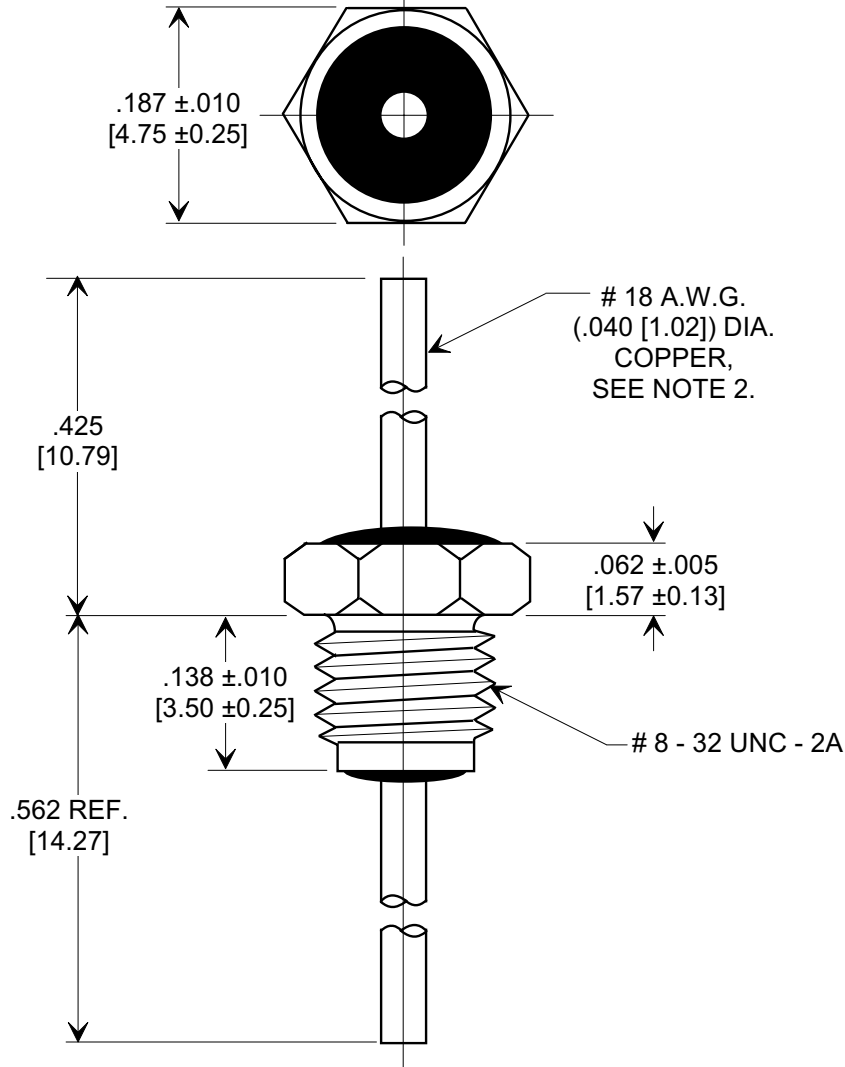
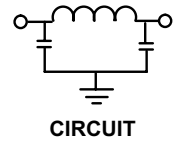
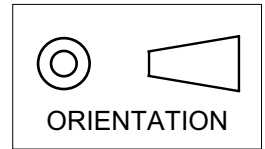


MARKETING SALES DRAWING
DIMENSIONS IN INCHES - DO NOT SCALE THIS DRAWING
DIMENSIONS IN METRIC - []

Electrical Testing
per Tusonix standard
test plans and Mil-Std-202
Test Methods.



NOTES:

- TUSONIX STANDARD PART NUMBER: 4205-002.
TUSONIX RoHS COMPLIANT PART NUMBER: 4205-002 LF.
CUSTOMER MUST SPECIFY STANDARD OR RoHS PART NUMBER WHEN ORDERING.
- LEAD FINISH: STANDARD PART #: 60/40 SOLDER PLATED. RoHS PART #: SILVER PLATED.
- SILVER PLATED STEEL BUSHING.
- SILVER PLATED INTERNAL TOOTH LOCK WASHER AND #8-32 UNC-2B HEX NUT SUPPLIED.
MAX. MOUNTING TORQUE 5 LB. INCHES [.565 N-m].
- PART MARKING: TRADEMARK AND VARIATION NUMBER ON HEX FLATS.
STANDARD PART: BLACK INK. RoHS PART: GREEN INK.

MIN. CAP. (pF)	WORKING VOLTAGE (VWdc)		CURRENT Idc	I.R. MIN. @ 100 (VDC)	DWV (VDC)	MINIMUM NO LOAD INSERTION LOSS (dB) AT 25°C PER MIL-STD-220			
	85° C	125° C				10 MHz	100 MHz	1 GHz	10 GHz
65	250	125	15	10 G Ω	500	---	3	16	45

X-2015 Rev-0 REVISION RECORD Original Release C.O. 20000711-11-01 REVISED NOTE & ADDED NOTES 2-5. S.M 07-26-05 20050726-4-01 ADDED IR & DWV. S.M. 11-30-05 20051102-4-03	0	BUSHING STYLE EMI FILTER Title Drawn L.E. 07-12-00 Scale 6 X Approved T.C. 07-12-00 A 4205-002
	--TOLERANCES-- Unless Otherwise Specified DECIMAL ± .031 [.79]	
	ANGLES ±	
	TUSONIX TUCSON, ARIZONA	