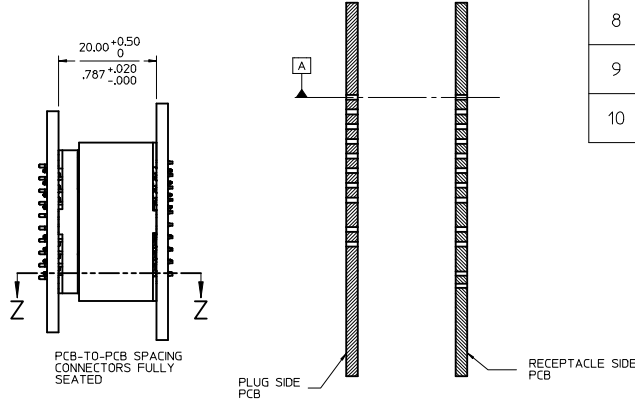
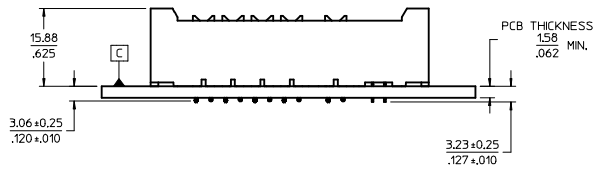


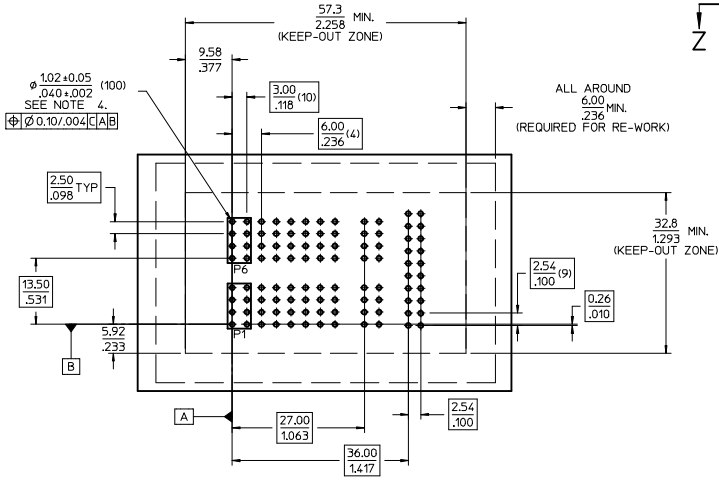
P/N 76541-0003 SHOWN

ITEM NO	PART NUMBER	NO OF POWER	NO OF SIGNAL	MATES WITH PLUG ASSY P/N:
1	76541-0002	10	16	76546-0002
2	76541-0003	10	20	76546-0003 OR 76546-0010
3	76541-0012	10	N/A	76546-0012
4				
5				
6				
7				
8				
9				
10				



SECTION Z-Z

RELATIVE POSITION DATUM -A- AND -B- FOR BOTH PCB'S ARE OVERLAPPING



RECOMMENDED PCB LAYOUT

- NOTES:
- MATERIAL: HOUSING - LCP OR EQUIVALENT, 94V-0, COLOR: BLACK CONTACTS - COPPER ALLOY
 - FINISH: SELECT GOLD - 0.38µ M/15µ IN SELECT TIN - 2.54µ M/100µ IN BOTH OVER NICKEL - 1.27µ M/50µ IN
 - SEE PRODUCT SPEC FOR RoHS REQUIREMENTS.
 - PCB REQUIRES SOLDER THRU HOLES. SEE PRODUCT SPEC FOR DETAILS.
 - MATES TO MOLEX P/N 76546-SERIES. SEE CHART.
 - PRODUCT SPECIFICATION: PS-46436-100.
 - PACKAGING PER PK-76541-002.
 - INSERTION FORCE 89N/20lbs MAX PER TAIL.
 - PRESS FIT TOOL P/N TBD. SEE APPLICATION SPEC AS-46436-100.

ADD P/N EC NO: LCP2015-4352 DRAWN BY: JUILLES 2015/04/20 CHECKED BY: CHYKOBPISZCZOR 2015/04/21 APPROVED BY: APATEL 2015/05/18	QUALITY SYMBOLS	GENERAL TOLERANCES (UNLESS SPECIFIED)	DIMENSION STYLE MM/IN	SCALE 2:1	DESIGN UNITS METRIC	THIRD ANGLE PROJECTION																																																								
		<table border="1"> <tr> <th></th> <th>mm</th> <th>INCH</th> </tr> <tr> <td>4 PLACES</td> <td>±.005</td> <td>±.0005</td> </tr> <tr> <td>3 PLACES</td> <td>±.010</td> <td>±.0010</td> </tr> <tr> <td>2 PLACES</td> <td>±0.25</td> <td>±.010</td> </tr> <tr> <td>1 PLACE</td> <td>±0.25</td> <td>±.010</td> </tr> </table>		mm	INCH	4 PLACES	±.005	±.0005	3 PLACES	±.010	±.0010	2 PLACES	±0.25	±.010	1 PLACE	±0.25	±.010	<table border="1"> <tr> <th>DATE</th> <th>BY</th> </tr> <tr> <td>2009/09/28</td> <td>APATEL</td> </tr> <tr> <td>2009/09/28</td> <td>APATEL</td> </tr> <tr> <td>2009/09/28</td> <td>APATEL</td> </tr> </table>	DATE	BY	2009/09/28	APATEL	2009/09/28	APATEL	2009/09/28	APATEL	<table border="1"> <tr> <th>DATE</th> <th>BY</th> </tr> <tr> <td>2009/09/28</td> <td>APATEL</td> </tr> <tr> <td>2009/09/28</td> <td>APATEL</td> </tr> <tr> <td>2009/09/28</td> <td>APATEL</td> </tr> </table>	DATE	BY	2009/09/28	APATEL	2009/09/28	APATEL	2009/09/28	APATEL	<table border="1"> <tr> <th>DATE</th> <th>BY</th> </tr> <tr> <td>2009/09/28</td> <td>APATEL</td> </tr> <tr> <td>2009/09/28</td> <td>APATEL</td> </tr> <tr> <td>2009/09/28</td> <td>APATEL</td> </tr> </table>	DATE	BY	2009/09/28	APATEL	2009/09/28	APATEL	2009/09/28	APATEL	<table border="1"> <tr> <th>DATE</th> <th>BY</th> </tr> <tr> <td>2009/09/28</td> <td>APATEL</td> </tr> <tr> <td>2009/09/28</td> <td>APATEL</td> </tr> <tr> <td>2009/09/28</td> <td>APATEL</td> </tr> </table>	DATE	BY	2009/09/28	APATEL	2009/09/28	APATEL	2009/09/28	APATEL	<table border="1"> <tr> <th>DATE</th> <th>BY</th> </tr> <tr> <td>2009/09/28</td> <td>APATEL</td> </tr> <tr> <td>2009/09/28</td> <td>APATEL</td> </tr> <tr> <td>2009/09/28</td> <td>APATEL</td> </tr> </table>	DATE	BY	2009/09/28	APATEL	2009/09/28	APATEL	2009/09/28	APATEL
		mm	INCH																																																											
4 PLACES	±.005	±.0005																																																												
3 PLACES	±.010	±.0010																																																												
2 PLACES	±0.25	±.010																																																												
1 PLACE	±0.25	±.010																																																												
DATE	BY																																																													
2009/09/28	APATEL																																																													
2009/09/28	APATEL																																																													
2009/09/28	APATEL																																																													
DATE	BY																																																													
2009/09/28	APATEL																																																													
2009/09/28	APATEL																																																													
2009/09/28	APATEL																																																													
DATE	BY																																																													
2009/09/28	APATEL																																																													
2009/09/28	APATEL																																																													
2009/09/28	APATEL																																																													
DATE	BY																																																													
2009/09/28	APATEL																																																													
2009/09/28	APATEL																																																													
2009/09/28	APATEL																																																													
DATE	BY																																																													
2009/09/28	APATEL																																																													
2009/09/28	APATEL																																																													
2009/09/28	APATEL																																																													
	DRAFT WHERE APPLICABLE MUST REMAIN WITHIN DIMENSIONS	SEE CHART	MATERIAL NO.	DOCUMENT NO.	TITLE PRESS-FIT RECPT. ASSY UP TO 10 PWR AND 20S TEN60 MEZZ W/SHROUD																																																									
			MOLEX INCORPORATED	SD-76541-0001	SHEET NO. 1 OF 1																																																									