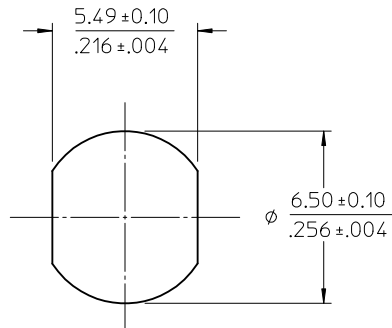
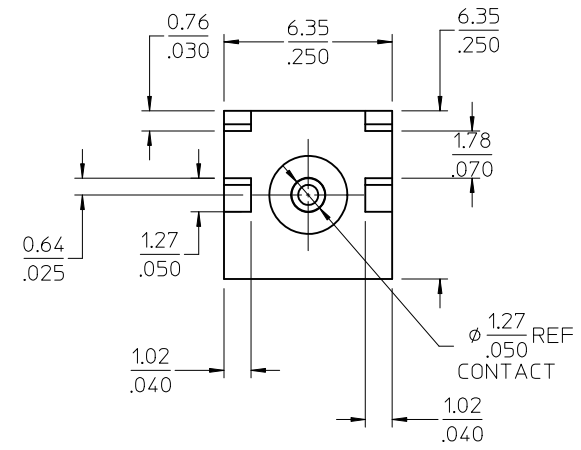
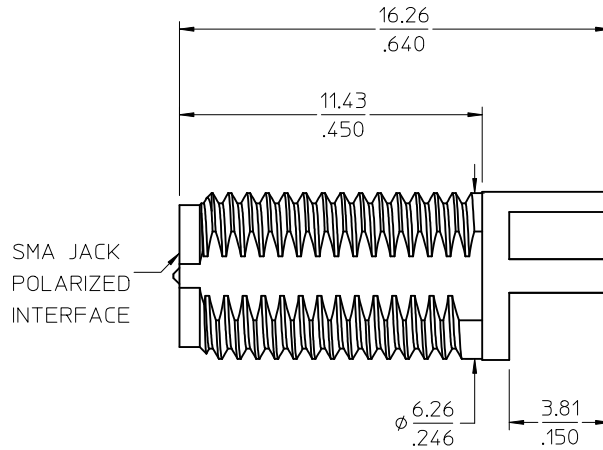
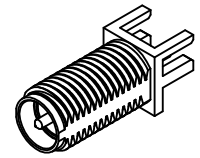


MATERIALS AND FINISHES

BODY: BRASS  
PLATED: GOLD

CENTER CONTACT: BRASS  
PLATED: GOLD

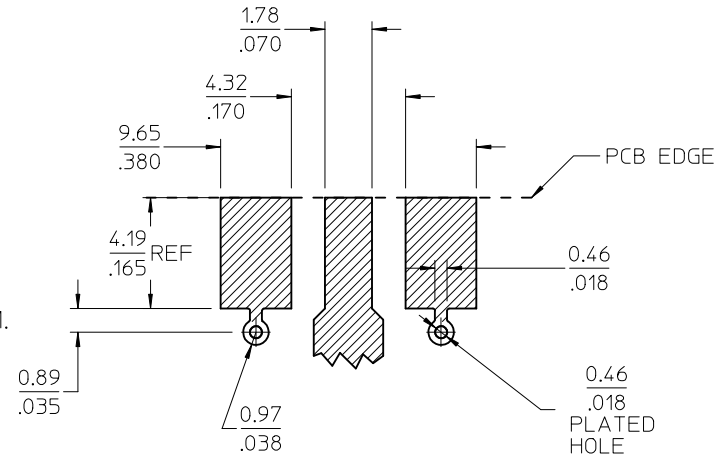
INSULATOR: TEFLON



RECOMMENDED PANEL CUTOUT

RECOMMENDED PAD LAYOUT

BASE WIDTH: 6.35(.250) NOM.  
BOARD THICKNESS: 1.57(.062) NOM.  
BOARD MATERIAL: FR4 W/1.0 OZ  
COPPER BOTH SIDES



PART # 73251-3150

PACKAGING: BULK  
SEE SHEET TWO FOR OTHER PART NUMBERS

CHG: ADD -3152

EC NO: URF2012-0435  
DRWN: JWIENER 2012/01/27  
CHKD: SSS 2012/01/27  
APPR: JWIENER 2012/01/31

DESCRIPTION  
REV

QUALITY SYMBOLS  
=0  
=0

GENERAL TOLERANCES (UNLESS SPECIFIED)

|          | mm     | INCH    |
|----------|--------|---------|
| 4 PLACES | ± .005 | ± .0002 |
| 3 PLACES | ± .005 | ± .0002 |
| 2 PLACES | ± .005 | ± .0002 |
| 1 PLACE  | ± .005 | ± .0002 |

ANGULAR ± 2°

DRAFT WHERE APPLICABLE  
MUST REMAIN  
WITHIN DIMENSIONS

DIMENSION STYLE  
MM/IN

| DRAWN BY    | DATE       |
|-------------|------------|
| AZR         | 2007/01/31 |
| CHECKED BY  | DATE       |
| SSS         | 2007/01/31 |
| APPROVED BY | DATE       |
| JWIENER     | 2010/10/27 |

MATERIAL NO.  
**SEE TABLE**

SIZE  
C

SCALE  
DESIGN UNITS  
INCH

THIRD ANGLE PROJECTION

TITLE  
SMA JACK POLARIZED EDGE MOUNT, .062 PCB, 50 OHM SMA-J/PCB, EWR-3281

**molex** MOLEX INCORPORATED

DOCUMENT NO.  
SD-73251-315

SHEET NO.  
1 OF 2

THIS DRAWING CONTAINS INFORMATION THAT IS PROPRIETARY TO MOLEX INCORPORATED AND SHOULD NOT BE USED WITHOUT WRITTEN PERMISSION

MATERIALS AND FINISHES

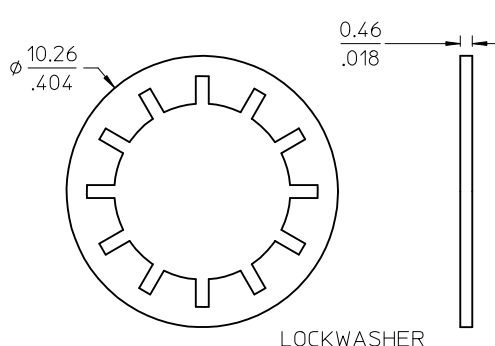
BODY: BRASS  
PLATED: GOLD

CENTER CONTACT: BRASS  
PLATED: GOLD

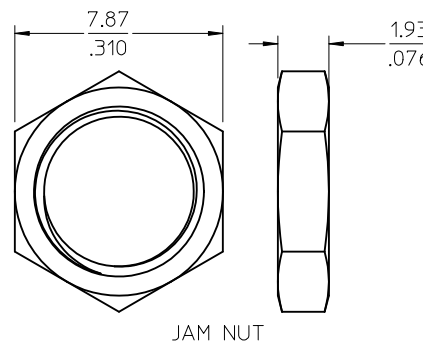
INSULATOR: TEFLON

JAM NUT: BRASS  
PLATED: GOLD

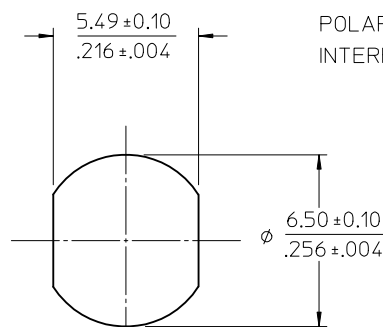
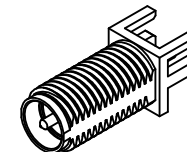
LOCKWASHER: PHOSPHOR BRONZE  
PLATED: GOLD



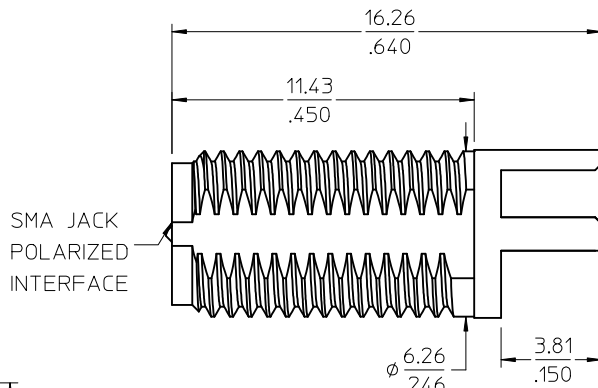
LOCKWASHER



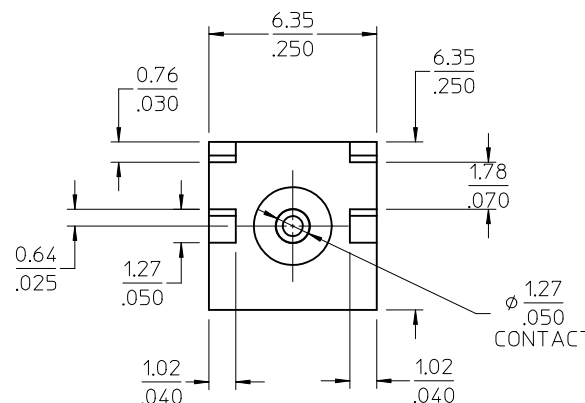
JAM NUT



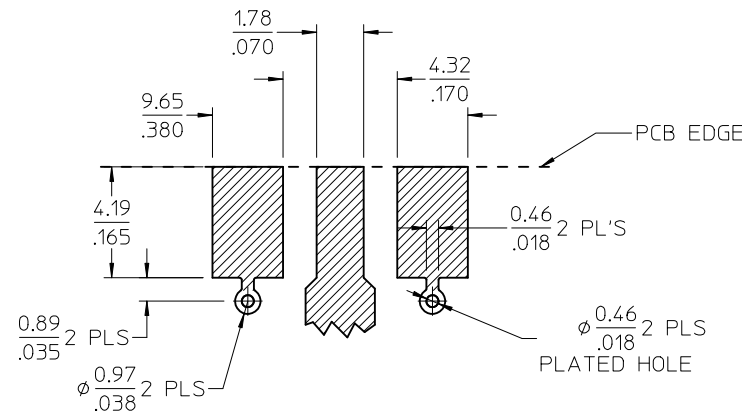
RECOMMENDED PANEL CUTOUT



SMA JACK  
POLARIZED  
INTERFACE



1.27  
.050  
CONTACT



PCB EDGE

0.46  
.018 2 PL'S  
PLATED HOLE

RECOMMENDED PAD LAYOUT

BASE WIDTH: 6.35(.250) NOM.  
BOARD THICKNESS: 1.57(.062) NOM.  
BOARD MATERIAL: FR4 W/1.0 OZ  
COPPER BOTH  
SIDES

|            |             |
|------------|-------------|
| 73251-3152 | ONE PER BAG |
| 73251-3151 | BULK        |
| PART NO.   | PACKAGING   |

|   |                          |                               |
|---|--------------------------|-------------------------------|
| A | CHG: SEE SHEET 1         | QUALITY SYMBOLS<br>▽=0<br>▽=0 |
|   | EC NO: URF2012-0435      |                               |
|   | DRWN: JWIENER 2012/01/27 |                               |
|   | CHKD: SSS 2012/01/27     |                               |
|   | APPR: JWIENER 2012/01/31 |                               |
| B | DESCRIPTION              |                               |
| C |                          |                               |
| D |                          |                               |
| E |                          |                               |
| F |                          |                               |
| G |                          |                               |
| H |                          |                               |
| I |                          |                               |
| J |                          |                               |

|  |         |
|--|---------|
| GENERAL TOLERANCES (UNLESS SPECIFIED)                |         |
| mm   | INCH    |
| 4 PLACES ± .005                                      | ± .0005 |
| 3 PLACES ± .004                                      | ± .0004 |
| 2 PLACES ± .003                                      | ± .0003 |
| 1 PLACE ± .002                                       | ± .0002 |
| ANGULAR ± 2 °  |         |
| DRAFT WHERE APPLICABLE MUST REMAIN WITHIN DIMENSIONS |         |

|   |            |
|---|------------|
| DIMENSION STYLE   |            |
| MM/IN   |            |
| DRAWN BY  | DATE       |
| AZR   | 2007/01/31 |
| CHECKED BY  | DATE       |
| SSS   | 2007/01/31 |
| APPROVED BY   | DATE       |
| JWIENER   | 2010/10/27 |
| MATERIAL NO.  |            |
| SEE TABLE   |            |
| SIZE  |            |
| THIS DRAWING CONTAINS INFORMATION THAT IS PROPRIETARY TO MOLEX INCORPORATED AND SHOULD NOT BE USED WITHOUT WRITTEN PERMISSION |            |

|   |              |                        |
|---|--------------|------------------------|
| SCALE   | DESIGN UNITS | THIRD ANGLE PROJECTION |
|   | INCH         |                        |
| TITLE   |              |                        |
| SMA JACK POLARIZED EDGE MOUNT, .062 PCB, 50 OHM SMA-J/PCB, EWR-3281 |              |                        |
| MOLEX INCORPORATED  |              |                        |
| DOCUMENT NO.  | SHEET NO.    |                        |
| SD-73251-315  | 2 OF 2       |                        |