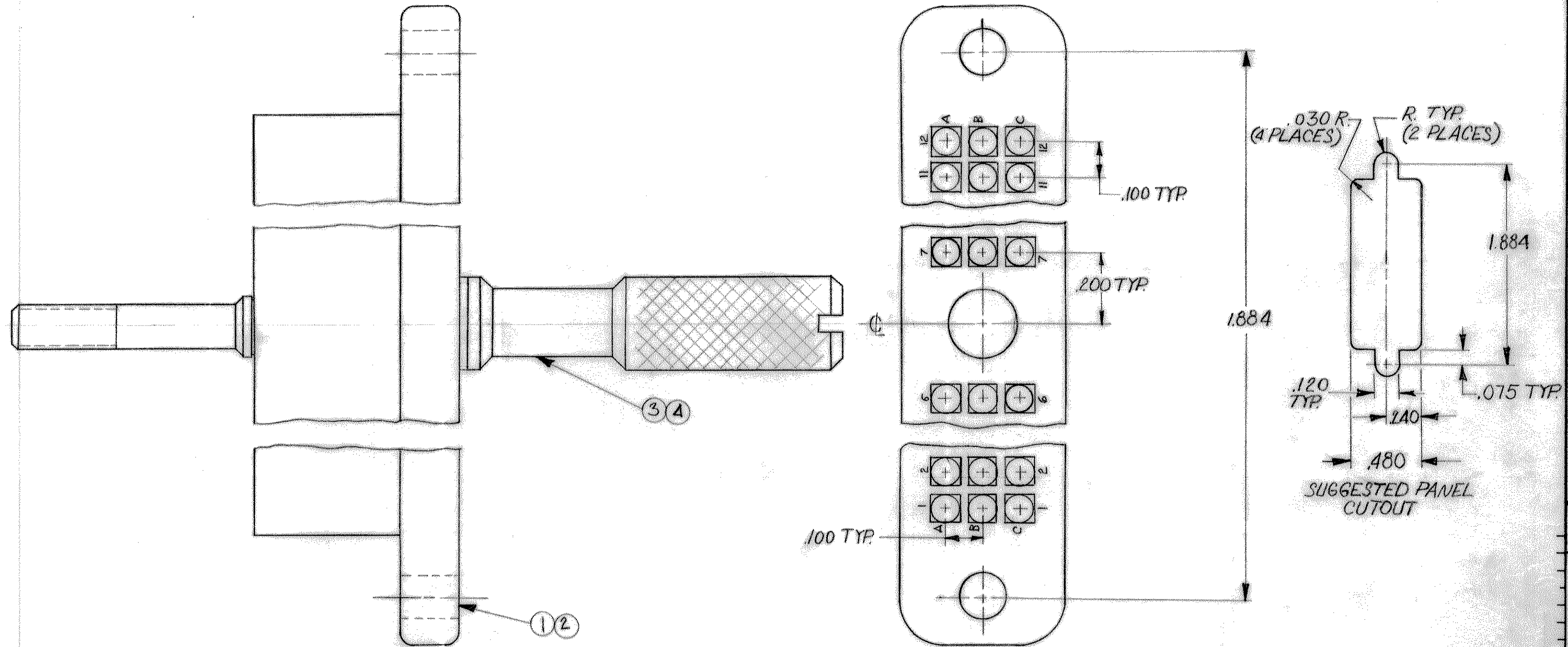


© 1969 BY AMP INCORPORATED. ALL RIGHTS RESERVED. AMP PRODUCTS COVERED BY PATENTS AND/OR PATENTS PENDING.

Unapproved copy may be reproduced without written permission of AMP Inc.

REVISIONS				
ZONE	LTR	DESCRIPTION	DATE	APPROVED
	A	RELEASED AND REVISED PER ECN J-128	3/9/82	RLH
	B	OBS-4; ECN DF-0979	11/5 10-20-86	RLH
	C	REV PER ECN DF-3816	11/5 10-17-90	DBM
	D	REV PER 0630-276-01	CT 8-02	CT



QTY	UNIT	DESCRIPTION	ITEM*
1	ASSEMBLY	36 POSITION HDR PLUG WITH MALE JACKSCREW	6
1	ASSEMBLY	JACKSCREW ASS'Y SHORT-MALE	5
1	ASSEMBLY	JACKSCREW ASS'Y LONG-MALE	4
1	BLOCK	DIALYL PHTHALATE-BLUE	3
1	BLOCK	PHENOLIC-BLACK	2
1	NUMBER	NAME	DESCRIPTION

NO. REQUIRED PER ASS'Y 204743

CUSTOMER PART NO. MARKED ON OPPOSITE SIDE "AMP"

UNLESS OTHERWISE SPECIFIED DIMENSIONS ARE IN INCHES TOLERANCES ON : DECIMALS ± .005 ANGLES ±	CONTRACT NO.		AMP AMP INCORPORATED HARRISBURG, PENNSYLVANIA	
	DR	10-27-69		
	CHK	11-6-69	NAME	36 POSITION "HDR" PLUG, ASSEMBLY WITH MALE JACKSCREW
	APPD	11-7-69	SIZE	C
	REL	11-7-69	CODE IDENT NO.	00779
MATERIAL	DSGN APPD	NUMBER	204743	SHEET 1 OF 1
	OTHER APPD	SCALE	#	

CUSTOMER DRAWING 1