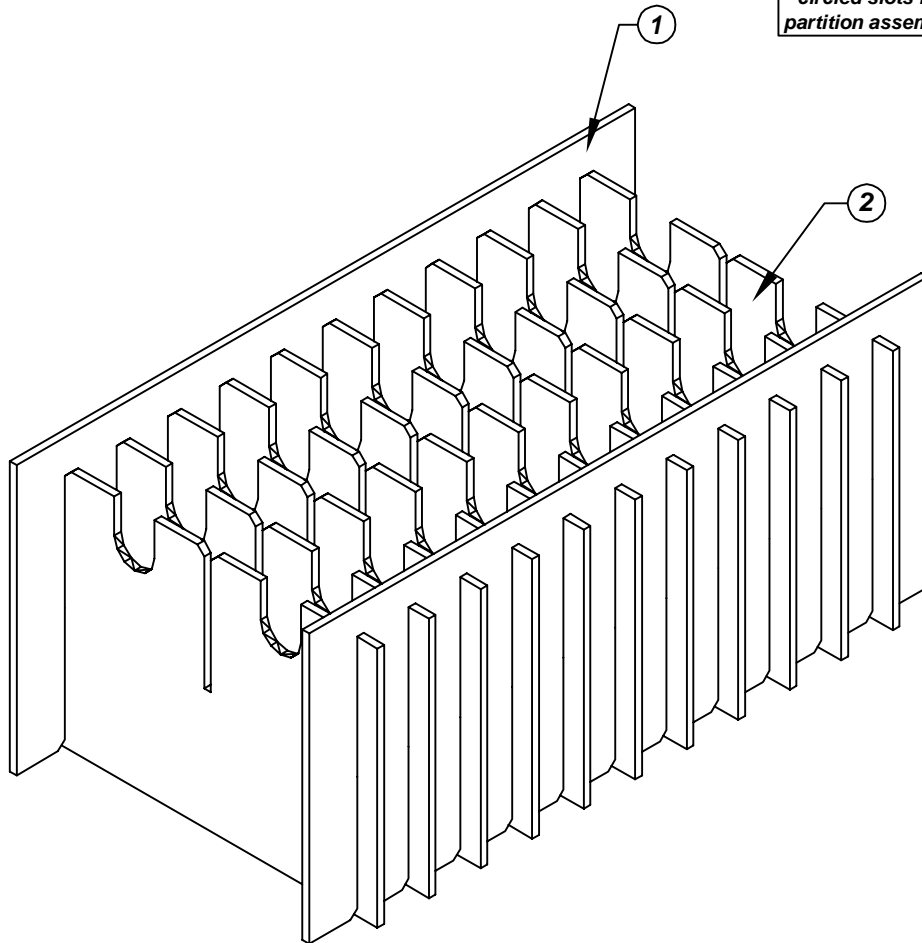
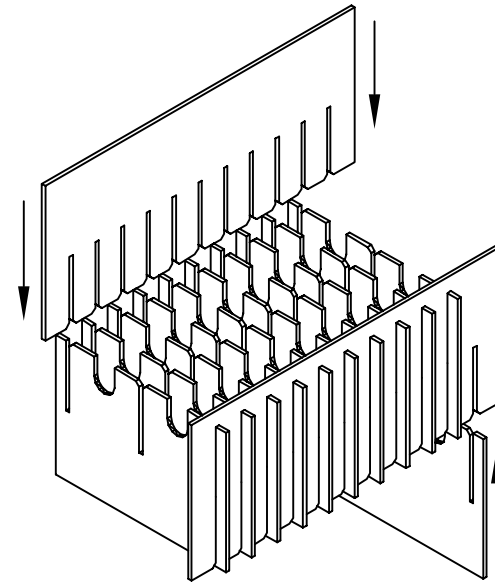
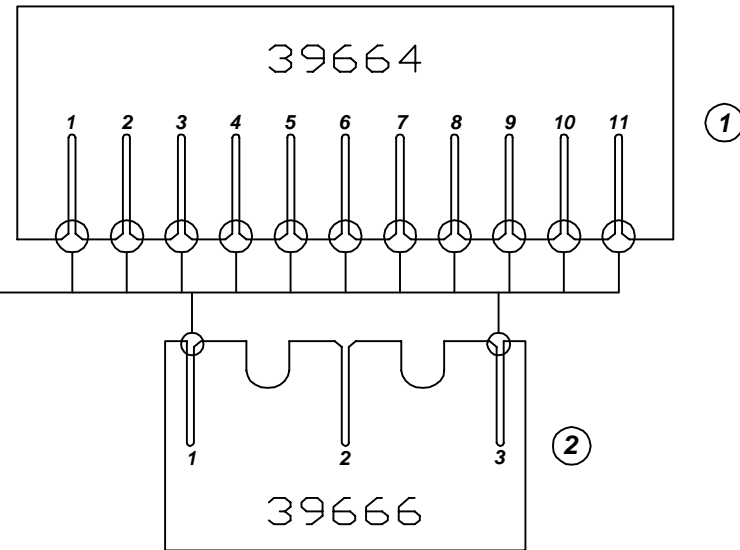


# Assembly Instructions for - 37259



Use only the circled slots for partition assembly



Made in America

F/N ①	Part # 39664	Dimensions: 20-1/4" x 23"	Description: 440-HLP Long Partition	Qty: 2
F/N ②	Part # 39666	Dimensions: 18-1/4" x 12-5/8"	Description: 440-HSP Short Partition	Qty: 11

**37259 - 12 Cell Inplant Handler**  
**Cell Size - 10" x 10-3/4" x 1-5/8"**

Notes:  
 For use with the following storage containers & lid:  
 37514 - Storage Container  
 37552 - Lid

PROTEKTIVE PAK  
 13520 MONTE VISTA AVENUE, CHINO, CA 91710  
 PHONE (909) 627-2578, FAX (909) 363-7331  
 ProtektivePak.com



DRAWING NUMBER  
**IPH-37259**

DATE  
 Nov.  
 2007