

# VSC7426

## 24-Port Layer-2 Gigabit Ethernet Switch with 12 Fully Integrated Copper PHYs and Embedded 416 MHz CPU

Microsemi's next-generation switch delivers the industry's lowest power GbE switching solution.

The VSC7426 is the industry's first fully integrated 24-port Gigabit Ethernet switch with 12 copper PHYs in a single package. In conjunction with Microsemi's 12-port PHY VSC8512 or VSC8522, a 24-port switch can be designed using only two ICs.

The VSC7426 leverages Microsemi's new 65 nm SimpliPHY™ technology, resulting in the one of the most cost-effective and lowest power consumption devices in the industry. The dual chip solution combines the most advanced Ethernet energy efficiency features for bringing green technology solutions to market.

The VSC7426 provides a rich set of Small Medium Enterprise (SME) Ethernet switching features such as Layer-2 forwarding with advanced TCAM-based VLAN and QoS processing, enabling the delivery of differentiated services. Security is ensured through frame processing using a TCAM-based Versatile Content Aware Processor (VCAP-II). The VSC7426 contains a powerful 416 MHz CPU, enabling full management of the switch.

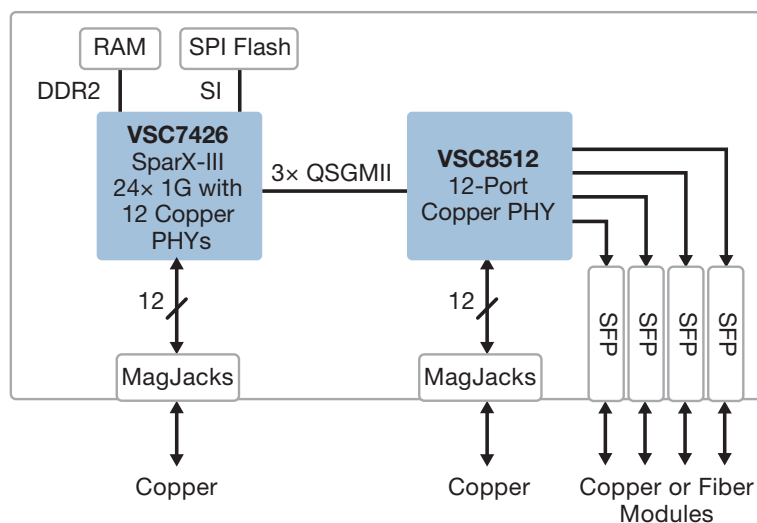
A comprehensive application programming interface (API) and software development package is available for Layer-2 Managed Ethernet applications for faster time-to-market. The software API package integrates easily with third-party software, preserving existing software investments.

### Highlights

- Supports IEEE 802.3az and green energy efficiency modes with ActiPHY™ and PerfectReach™
- Lowest BOM solution requires only two ICs
- Three QSGMII MAC interfaces

### Applications

- Ethernet switches
- Edge and Access platforms
- Customer-premises equipment (CPE) and network termination equipment (NTE)



# VSC7426

24-Port Layer-2 Gigabit Ethernet Switch with 12 Fully Integrated Copper PHYs and Embedded 416 MHz CPU

## Best-In-Class Power Consumption

- Lowest power 24-port Gigabit Ethernet switch available in the market
- Green energy efficiency modes including ActiPHY™, Perfect-Reach™, and Draft IEEE 802.3az
- Two ICs reduce overall power requirements
- Optimal power consumption for all link speeds

## Features

- Twelve integrated IEEE 802.3ab-compliant 10/100/1000BASE-T Ethernet copper transceivers with VeriPHY™ cable diagnostics
- Three QSGMII MAC interfaces
- Integrated 416 MHz MIPS CPU with DDR2 and serial Flash interface
- Advanced Access and QoS Control Lists (ACL and QCL) support through TCAM-based match patterns
- Integrated temperature monitoring circuit
- Integrated fan controller
- 8 K MAC addresses and 4 K VLAN support
- Supports IEEE 1149.1 JTAG boundary scan, IEEE 1149.6 AC-JTAG, QSGMII v1.2, and 100BASE-FX and 1000BASE-X

## Layer 2 Switching

- 24-port Gigabit Ethernet switch with nonblocking wire-speed performance
- Link aggregation (IEEE 802.3ad) with programmable traffic distribution based on Layer 2 through Layer 4 information
- Wire-speed hardware-based learning and CPU-based learning configurable per port

- Independent and shared VLAN learning
- Jumbo frame support up to 12.2 kilobytes with per-port programmable MTU
- Q-in-Q tagging support
- 4 megabits of integrated shared packet memory
- Audio and video bridging (AVB)

## QoS

- Eight QoS queues per port with strict or deficit-weighted round robin scheduling
- QoS classification based on IEEE 802.1p, EtherType, VID, MAC/IP addresses, IPv4/IPv6 DSCP, and UDP/TCP ports and ranges
- Data rate shaper and policer per-queue, per-port for both ingress and egress directions
- Full-duplex flow control (IEEE 802.3x) and half-duplex back-pressure, symmetric and asymmetric
- Multicast and broadcast storm control with flooding control

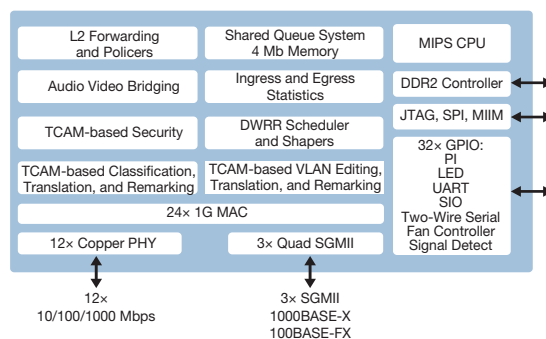
## Key Specifications

- 1 V core power supply
- 1.8 V and 2.5 V I/O power supplies
- 27 mm × 27 mm thermally enhanced plastic BGA package

## Related Products

Visit [www.microsemi.com](http://www.microsemi.com) for information about these related products:

- Ethernet switches
- 1G copper PHYs



**Microsemi**

**Microsemi Corporate Headquarters**  
 One Enterprise, Aliso Viejo, CA 92656 USA  
 Within the USA: +1 (800) 713-4113  
 Outside the USA: +1 (949) 380-6100  
 Sales: +1 (949) 380-6136  
 Fax: +1 (949) 215-4996  
 email: [sales.support@microsemi.com](mailto:sales.support@microsemi.com)  
[www.microsemi.com](http://www.microsemi.com)

Microsemi Corporation (Nasdaq: MSCC) offers a comprehensive portfolio of semiconductor and system solutions for communications, defense and security, aerospace, and industrial markets. Products include high-performance and radiation-hardened analog mixed-signal integrated circuits, FPGAs, SoCs, and ASICs; power management products; timing and synchronization devices and precise time solutions; voice processing devices; RF solutions; discrete components; enterprise storage and communications solutions, security technologies, and scalable anti-tamper products; Ethernet solutions; Power-over-Ethernet ICs and midspans; custom design capabilities and services. Microsemi is headquartered in Aliso Viejo, California, and has approximately 4,800 employees worldwide. Learn more at [www.microsemi.com](http://www.microsemi.com).