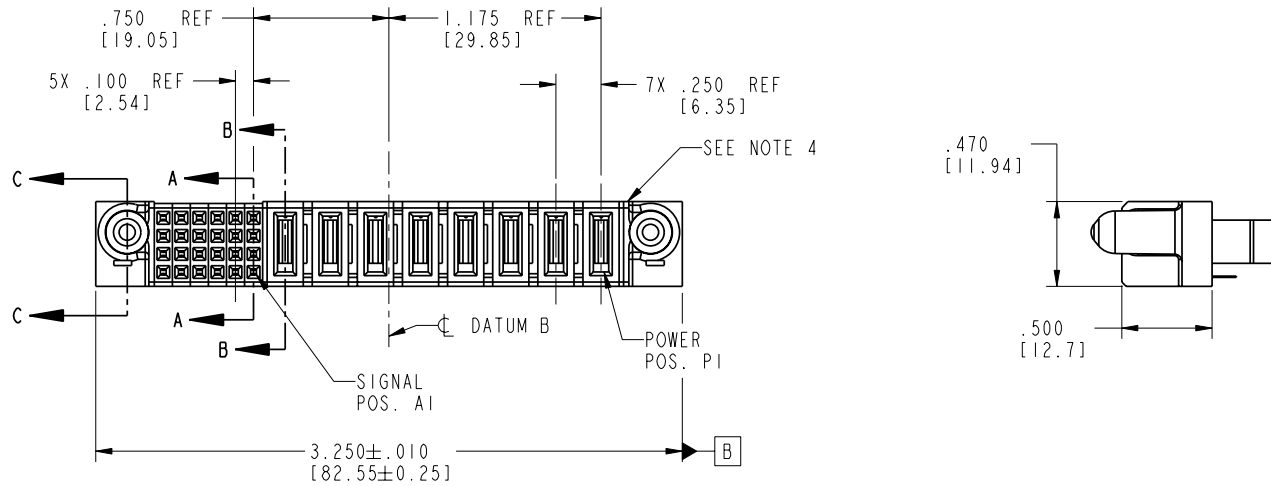
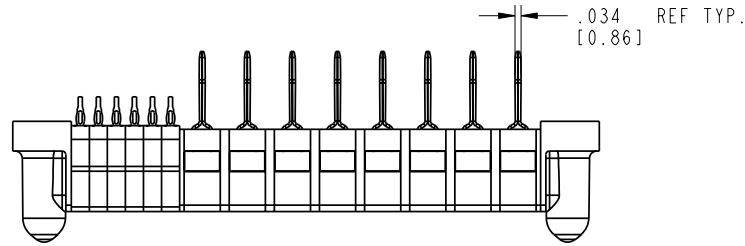


Tous droits strictement réservés. Reproduction ou communication o des tiers interdite sous quelque forme que ce soit sans autorisation écrite du propriétaire. Propriété de c FCI. Droits de reproduction FCI.



All rights strictly reserved. Reproduction or issue to third parties in any form without is not permitted without written authority from the proprietor. Property of FCI. Copyright FCI.

PRODUCT NO.	ROW S	SIGNAL				POWER							E1				
		E2	6	5	4	3	2	1	P8	P7	P6	P5		P4	P3	P2	P1
51752-020-- NOTE ③	D C A		F	F	F	F	F	F	F	F	F	F	F	F	F	F	



CODE	DIM "M" MATING LENGTH	CONTACT TYPE
PG	.042 [1.07]	POWER
PH	.092 [2.34]	POWER
F	N/A [N/A]	SIGNAL

mat'l code				SEE NOTE 2		tolerances unless otherwise specified		CUSTOMER		FCI	
lir	ecn no.	dr	date	linear	.XX±.01/0.X±0.3		COPY		www.fciconnect.com		
A	DG06-0114	RYAN	03/17/06		.XXX±.005/0.XX±0.13		projection		title 8CP + 24S		
B	DG06-0225	RYAN	06/06/06	angles	.XXX±.002/0.XXX±0.051		INCH/MM		VERTICAL PF/CABLE RECEPT		
				dr	0° ± 2°		scale		product family PwrBlade code 213		
				enrg	RYAN YUAN 03/17/06		1:1		size dwg no		
				chr	SALLY LUO 03/17/06				51752-020		
				appd	BEER FU 03/17/06				sheet 1 of 4		
					JOSEPH HSIA 03/17/06						
sheet index	revision	B	B	B	B						
	sheet	1	2	3	4						

cage code 22526

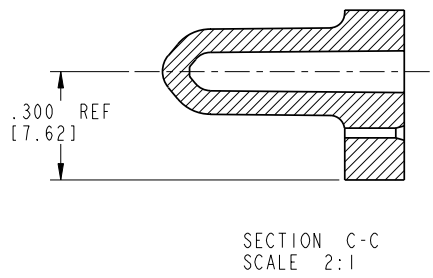
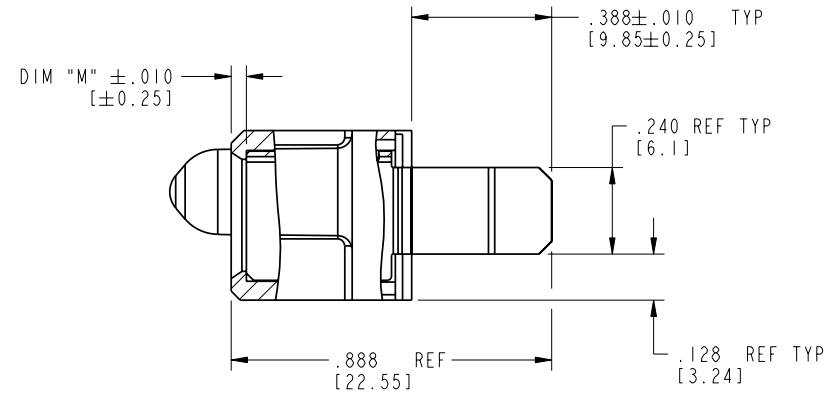
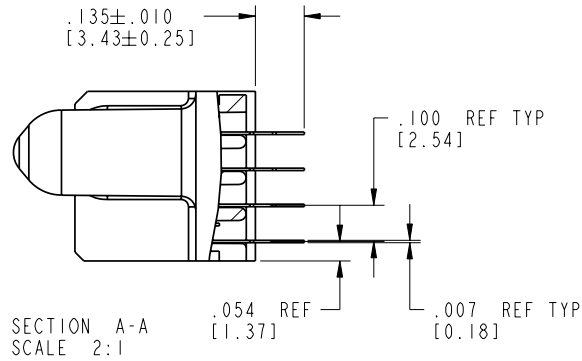
Pro/E

Tous droits strictement reserves. Reproduction ou communication a des tiers interdite sous quelque forme que ce soit sans autorisation écrite du propriétaire. Propriete de c FCI. Droits de reproduction FCI.



All rights strictly reserved. Reproduction or issue to third parties in any form whatever is not permitted without written authority from the proprietor. Property of FCI. Copyright FCI.

PRODUCT NUMBER
51752-020--
NOTE ③



mat'l code				SEE NOTE 2	tolerances unless otherwise specified		CUSTOMER	FCI	
lfr	ecr no.	dr	date	linear	.XX±.01/0.X±0.3	COPY	www.fciconnect.com		
B					.XXX±.005/0.XX±0.13	projection	title 8CP + 24S		
				angles	.XXX±.002/0.XXX±0.051		VERTICAL PF/CABLE RECEPT		
				dr	0° ± 2°	INCH/MM	product family	PwrBlade	code
				enrg	RYAN YUAN 03/17/06	scale	size	dwg no	213
				chr	SALLY LUO 03/17/06	1:1	A	51752-020	sheet
				appd	BEER FU 03/17/06				2 of 4
					JOSEPH HSIA 03/17/06				
sheet index	revision	sheet							

cage code 22526

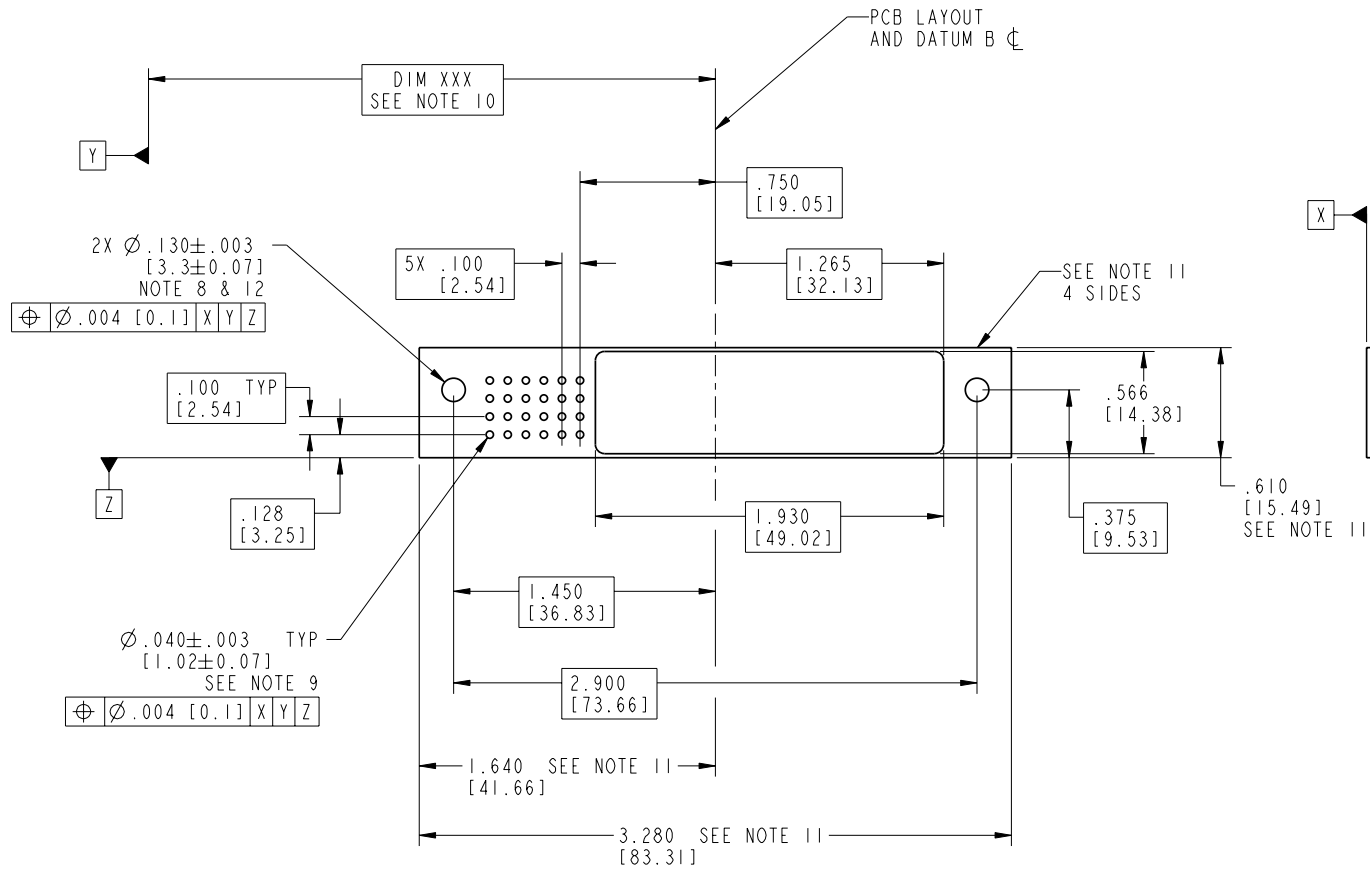
Pro/E

Tous droits strictement reserves. Reproduction ou communication a des tiers interdite sous quelque forme que ce soit sans autorisation écrite du propriétaire. Propriete de c FCI. Droits de reproduction FCI.



All rights strictly reserved. Reproduction or issue to third parties in any form without is not permitted without written authority from the proprietor. Property of FCI. Copyright FCI.

PRODUCT NUMBER
51752-020--
NOTE ③



mat'l code		SEE NOTE 2		tolerances unless otherwise specified		CUSTOMER		FCI	
lfr	ecr no.	dr	date	linear	.XX±.01/0.X±0.3	COPY		www.fciconnect.com	
B				angles	.XXX±.005/0.XX±0.13	projection	title		8CP + 24S
				dr	.XXX±.002/0.XXX±0.051		VERTICAL PF/CABLE RECEPT		
				enrg		INCH/MM	product family	PwrBlade	code
				chr	RYAN YUAN 03/17/06	scale	size	dwg no	213
				appd	BEER FU 03/17/06	1:1	A	51752-020	sheet
					JOSEPH HSIA 03/17/06				3 of 4
sheet index	revision sheet								

cage code 22526

Pro/E

Tous droits strictement reserves. Reproduction ou communication a des tiers interdite sous quelque forme que ce soit sans autorisation écrite du propriétaire. Propriete de c FCI. Droits de reproduction FCI.



All rights strictly reserved. Reproduction or issue to third parties in any form whatever is not permitted without written authority from the proprietor. Property of FCI. Copyright FCI.

1 | 2

3 |

4

PRODUCT NUMBER
51752-020--
NOTE ③

NOTES:

1. DIMENSIONS AND TOLERANCES ARE IN ACCORDANCE WITH ASME Y14.5M, 1994 UNLESS OTHERWISE SPECIFIED.

CONNECTOR NOTES:

② HOUSING MATERIAL: UL 94 V-0 GLASS FILLED HIGH-TEMP THERMOPLASTIC
POWER CONTACT MATERIAL: COPPER ALLOY
SIGNAL PIN MATERIAL: COPPER ALLOY

③ PLATING:
SEE PRINT 10064183 FOR PLATING SPEC OF 51752-020; 51752-020LF

④ MANUFACTURER'S NAME, P/N, AND DATE CODE TO APPEAR ON THIS SURFACE.

5. PRODUCT SPECIFICATION GS-12-149.
APPLICATION SPECIFICATION BUS-20-067.

6. PACKAGED IN TRAYS.

PCB NOTES:

7. ALL HOLE DIAMETERS ARE FINISHED HOLE SIZE.

⑧ MOUNTING HOLES, WHERE APPLICABLE, ARE UNPLATED.

⑨ $\varnothing .0453 \pm .0010$ [1.151 ± 0.025] DRILLED HOLES PLATED WITH
.0003 [0.008] MIN SnPb OVER .001 [0.03]
TO .003 [0.08] Cu PLATING TO ACHIEVE
 $\varnothing .040 \pm .003$ [$1.02 \pm .07$] HOLE.

⑩ "DIM XXX" TO BE DETERMINED BY THE CUSTOMER.

⑪ CONNECTOR KEEP-OUT ZONE.

⑫ RECOMMENDED RETENTION TO PCB
 $\varnothing .130$ [3.3] THRU HOLE FOR #5 SOCKET HEAD CAP SCREW
MAX. HEAD .205 [5.21], RECOMMEND SCREW LENGTH .472 [12] + PCB THICKNESS,
RECOMMENDED SCREW SEATING TO PCB TORQUE: 2-5 lbs-in [2300-5760 gf-cm]

mat'l code				SEE NOTE 2		tolerances unless otherwise specified		CUSTOMER		FCI	
lfr	ecr no.	dr	date	linear	.XX±.01/0.X±0.3	COPY		www.fciconnect.com		title	
B					.XXX±.005/0.XX±0.13	projection		8CP + 24S		VERTICAL PF/CABLE RECEPT	
				angles	.XXX±.002/0.XXX±0.051	INCH/MM		product family		code	
				dr	0° ± 2°	scale		PwrBlade		213	
				enrg	RYAN YUAN 03/17/06	1:1		size		sheet	
				chr	SALLY LUO 03/17/06	A		51752-020		4 of 4	
				appd	BEER FU 03/17/06						
				appd	JOSEPH HSIA 03/17/06						
sheet index		revision sheet									

A

A

B

B

1 | 2

Pro/E

3 |

cage code 22526

4