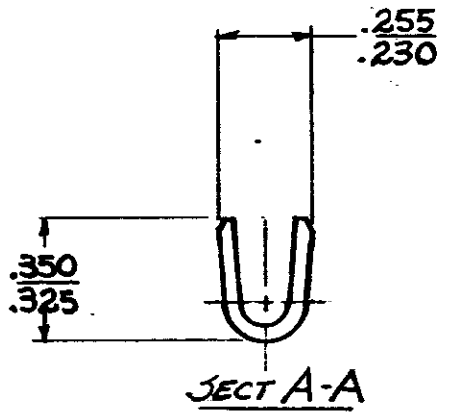
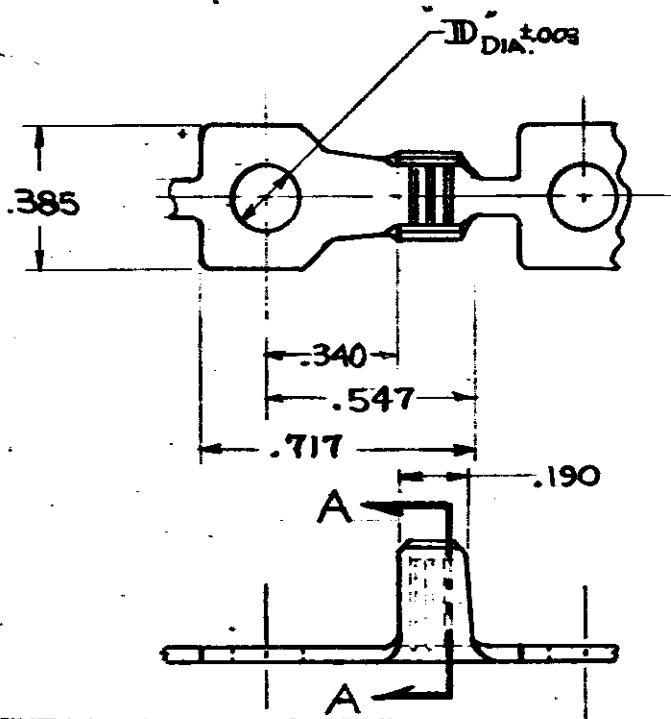


NUMBER  
42673

S



CONTINUOUS STRIP ON REELS

WIRE SIZE	STUD #	"D" DIA. ±.003	MATERIAL & FINISH	PART NUMBER
8-10	10	.197	.040 BRASS - NONE	42673-1
"	"	"	.040 - BRASS - TIN	42673-2

DIMENSIONS IN INCHES. DO NOT SCALE PRINT.

©1968 BY AMP INCORPORATED. ALL RIGHTS RESERVED. AMP PRODUCTS COVERED BY PATENTS AND/OR PATENTS PENDING.

**CUSTOMER COPY  
REFERENCE ONLY**

MATERIAL AND FINISH



SEE TABLE

CLASS ———— H ————

WIRE — RANGE — INSULATION  
SEE TABLE ———— H ————

TYPE ———— H ————

TOLERANCE EXCEPT AS NOTED  
= .015 = 1" 0'

SCALE 2x1  
LOC. A NO. 42673 REV. D

NAME — RING —

APP. DATE	BY	CHK. DATE	BY
DESIGN 4/2/68	PP Frantz	1-3-68	PP Frantz
DR 7/6/68	PP Frantz	1-3-68	PP Frantz