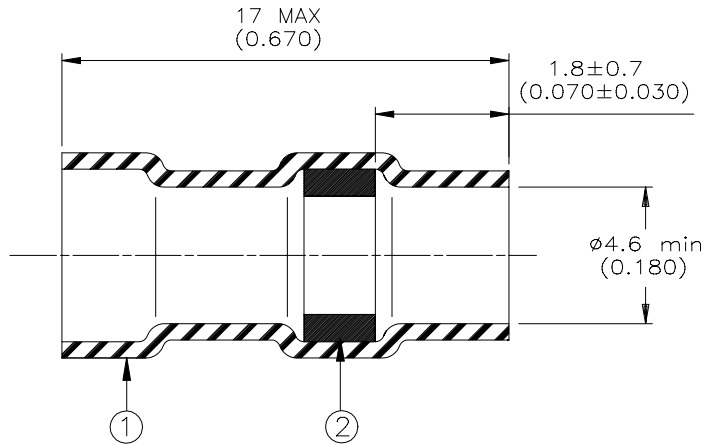


# SPECIFICATION CONTROL DRAWING



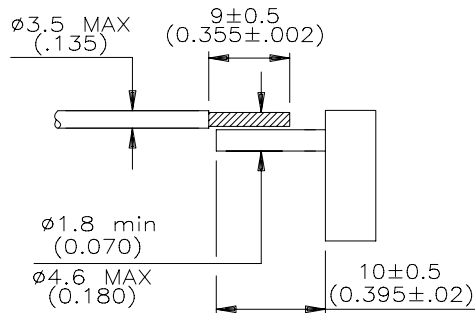
**MATERIALS**

1. INSULATION SLEEVE: Heat-shrinkable, transparent blue, radiation cross-linked modified polyvinylidene fluoride.
2. SOLDER PREFORM WITH FLUX:
  - SOLDER: TYPE Sn63 per ANSI-J-STD-006.
  - FLUX: TYPE ROL1 per ANSI-J-STD-004.

**APPLICATION**

1. These controlled soldering devices are designed for termination of a wire to the lead of an electrical component or to the terminal of a connector.
- 2 Temperature range: -55°C to +150°C.

For best results, prepare the wire as shown:



\* A trademark of Raychem Corporation.

<b>Raychem</b>		THERMOFIT DEVICES	Raychem Corporation 300 Constitution Drive Menlo Park, CA 94025 USA	TITLE: <b>SOLDERSLEEVE* WIRE TERMINATOR</b>			
UNLESS OTHERWISE SPECIFIED DIMENSIONS ARE IN MILLIMETERS. INCHES DIMENSIONS ARE BETWEEN BRACKETS.				DOCUMENT NO: <b>D-101-45</b>			
TOLERANCES: 0.00 N/A 0.0 N/A 0 N/A	ANGLES: N/A  ROUGHNESS IN MICRON	Raychem reserves the right to amend this drawing at any time. Users should evaluate the suitability of the product for their application.		DCR NUMBER: D980918		REPLACES: D10145	
DRAWN BY: M. FORONDA	DATE: 07/24/98	PROD. REV. F	DOC ISSUE: 1	SCALE: None	SIZE: A	SHEET: 1 of 1	

If this document is printed it becomes uncontrolled. Check for the latest revision.