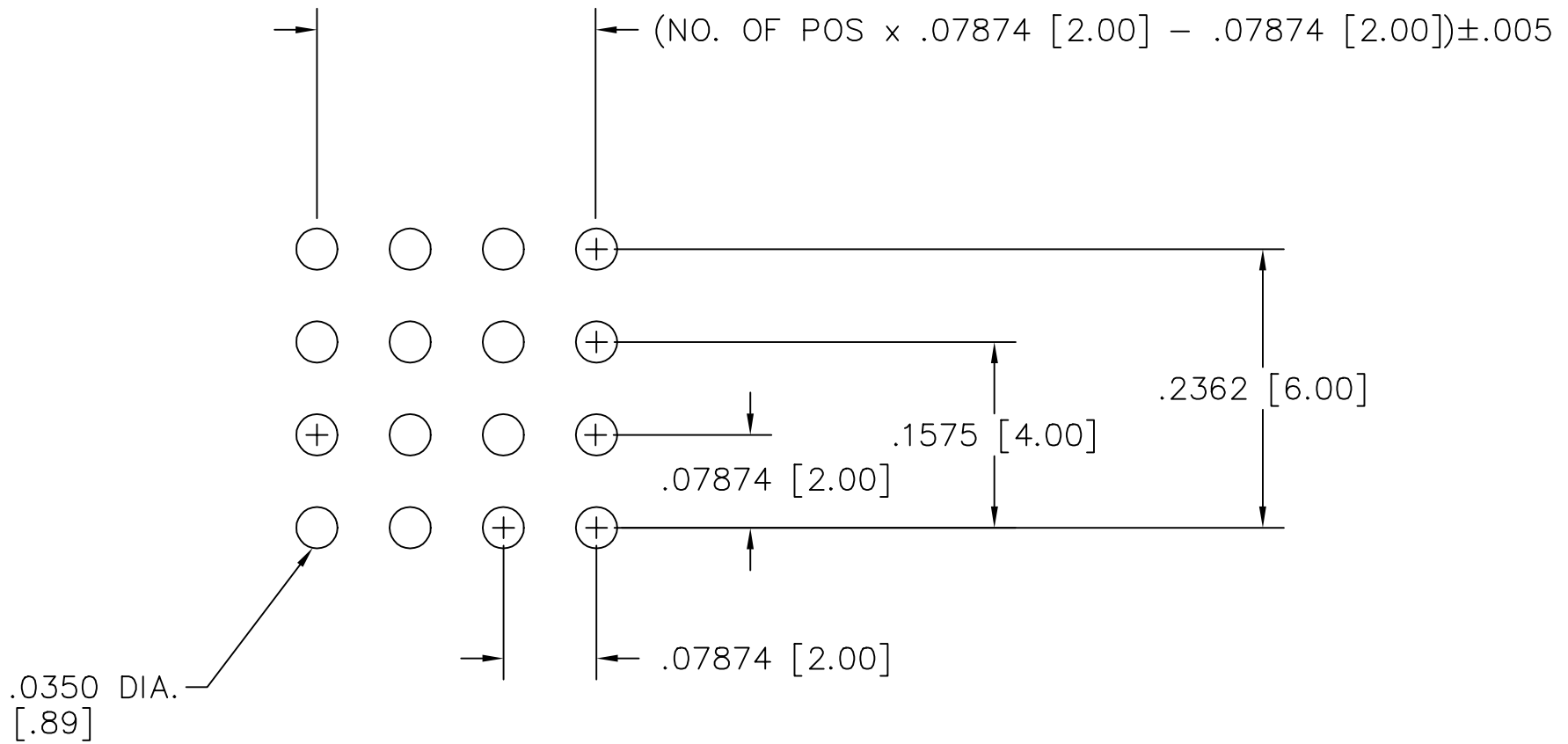


RECOMMENDED P.C. BOARD LAYOUT FOR MTMM (QUAD)

REV. A



MISC\MKTG\FOOTPRINT
MTMM-Q

samtec

810 PROGRESS BLVD. NEW ALBANY, INDIANA 47150
PHONE (812) 944-6733 P.O. BOX 1147

PLOT SCALE: 1 = .1