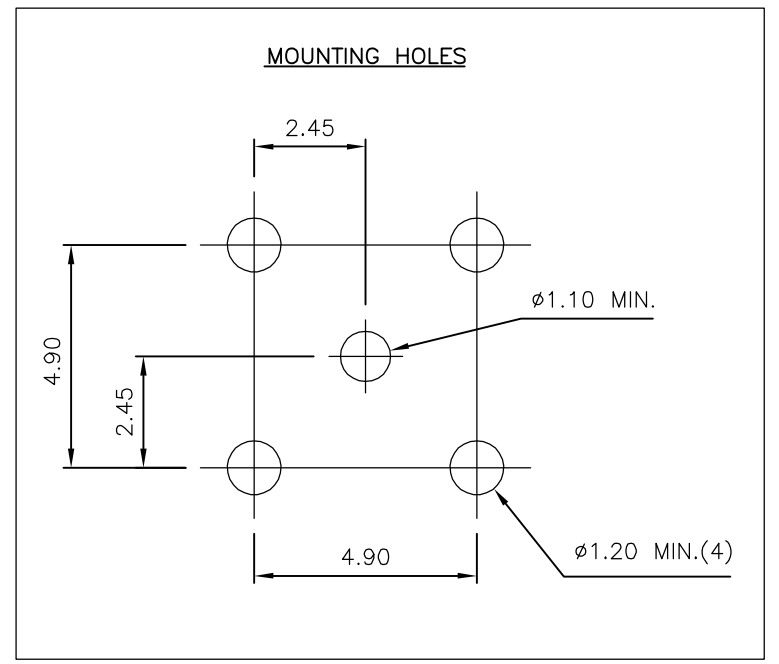
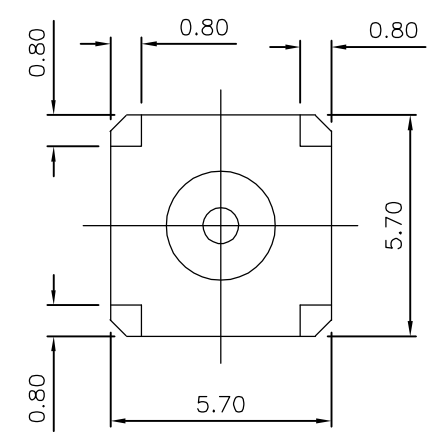
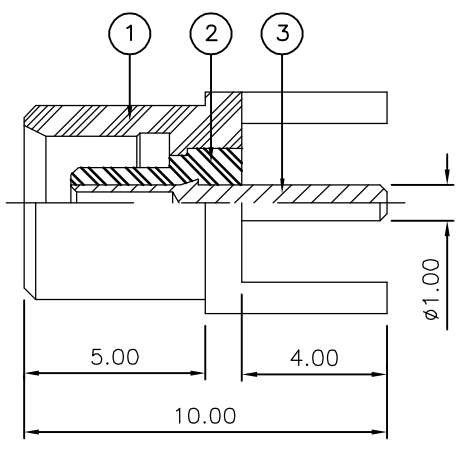


THIS DRAWING IS UNPUBLISHED. RELEASED FOR PUBLICATION FEB ,2006.
 © COPYRIGHT 2006 BY TYCO ELECTRONICS CORPORATION. ALL RIGHTS RESERVED.

LOC	DIST	REVISIONS					
E	B	P	LTR	DESCRIPTION	DATE	DWN	APVD
		C		ECR-06-002568	02FEB06	JMS	FWK

- NOTES:
- 1 PACK IN ACCORDANCE WITH AMP SPEC 107-3275
 - 2 100 TRAY PACK IN ACCORDANCE WITH AMP SPEC 107-3275
 - 3 Au PLATING
- 4 ELECTRICAL CHARACTERISTICS
- | | |
|--------------------------------|----------------------------|
| FREQUENCY RANGE: | DC - 6 GHz |
| NOMINAL IMPEDANCE: | 50 Ohm |
| INSULATION RESISTANCE: | 1000 MOhm |
| WORKING VOLTAGE: | 335 Volts RMS at Sea Level |
| DIELECTRIC WITHSTAND VOLTAGE: | 1000 Volts RMS Max |
| CONTACT RESISTANCE: | |
| CENTRE CONTACT: | 5.00 mOhm Max |
| OUTER CONTACT: | 1.00 mOhm Max |
| VSWR @ 4GHz: | N/A |
| INSERTION LOSS dB @ x 1.0 GHz: | 0.10 Max |
- 5 MECHANICAL CHARACTERISTICS
- | | |
|-------------------------------|----------------|
| COUPLING NUT RETENTION FORCE: | N/A |
| DURABILITY: | 500 Cycles Min |
- 6 ENVIRONMENTAL CHARACTERISTICS
- | | |
|------------------------|------------------|
| OPERATING TEMPERATURE: | -65 to +165 DegC |
|------------------------|------------------|



QTY	QTY	MATERIAL	DESCRIPTION	ITEM
1	1	BERYLLIUM COPPER	CONTACT	3
1	1	PTFE	INSULATION	2
1	1	BRASS	BODY	1
6--0	1--0			

THIS DRAWING IS A CONTROLLED DOCUMENT.		DWN	J.SANDWELL	02FEB06	 Tyco Electronics Corporation Bideford EX39 4HE								
DIMENSIONS: mm		CHK	S.PARLOW	02FEB06									
TOLERANCES UNLESS OTHERWISE SPECIFIED:		APVD	F.WHEELER-KING	02FEB06									
0 PLC ± - 1 PLC ± - 2 PLC ± - 3 PLC ± - 4 PLC ± - ANGLES ± -		PRODUCT SPEC	NAME			MCX STRAIGHT PCB SOCKET 50 OHM							
MATERIAL SEE TABLE		FINISH	-		SIZE	A3	CAGE CODE	00779	DRAWING NO	C-1337581	RESTRICTED TO	-	
CUSTOMER DRAWING						SCALE	NTS	SHEET	1	OF	1	REV	C