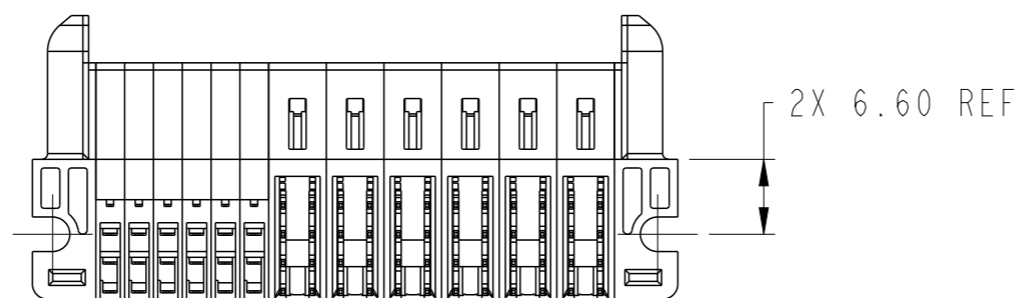
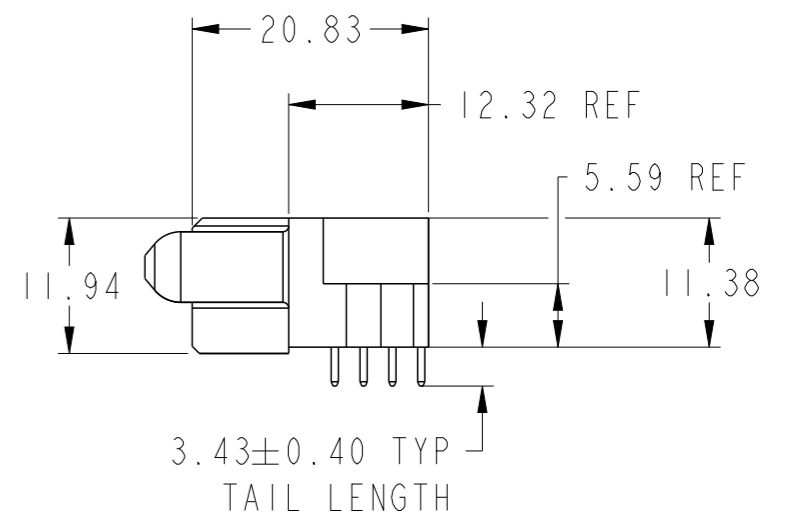
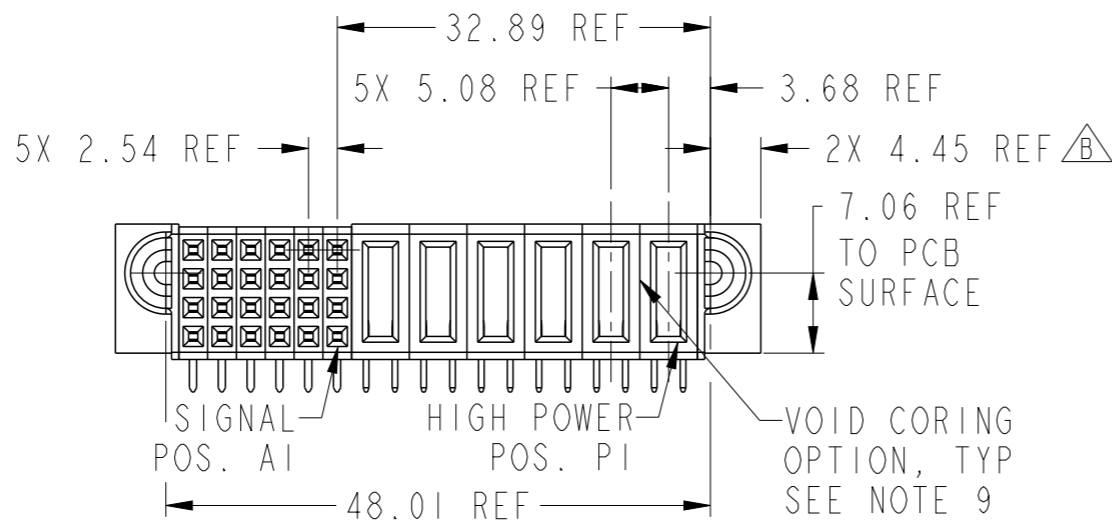
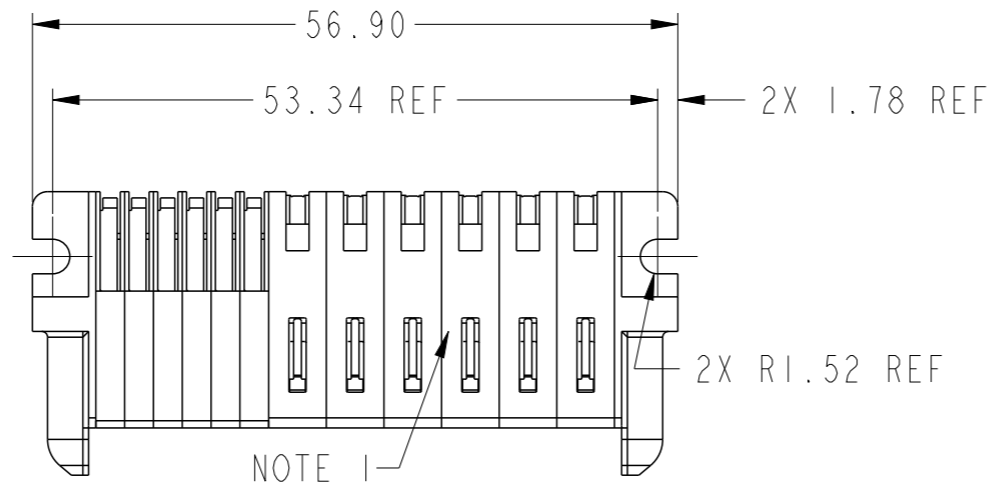


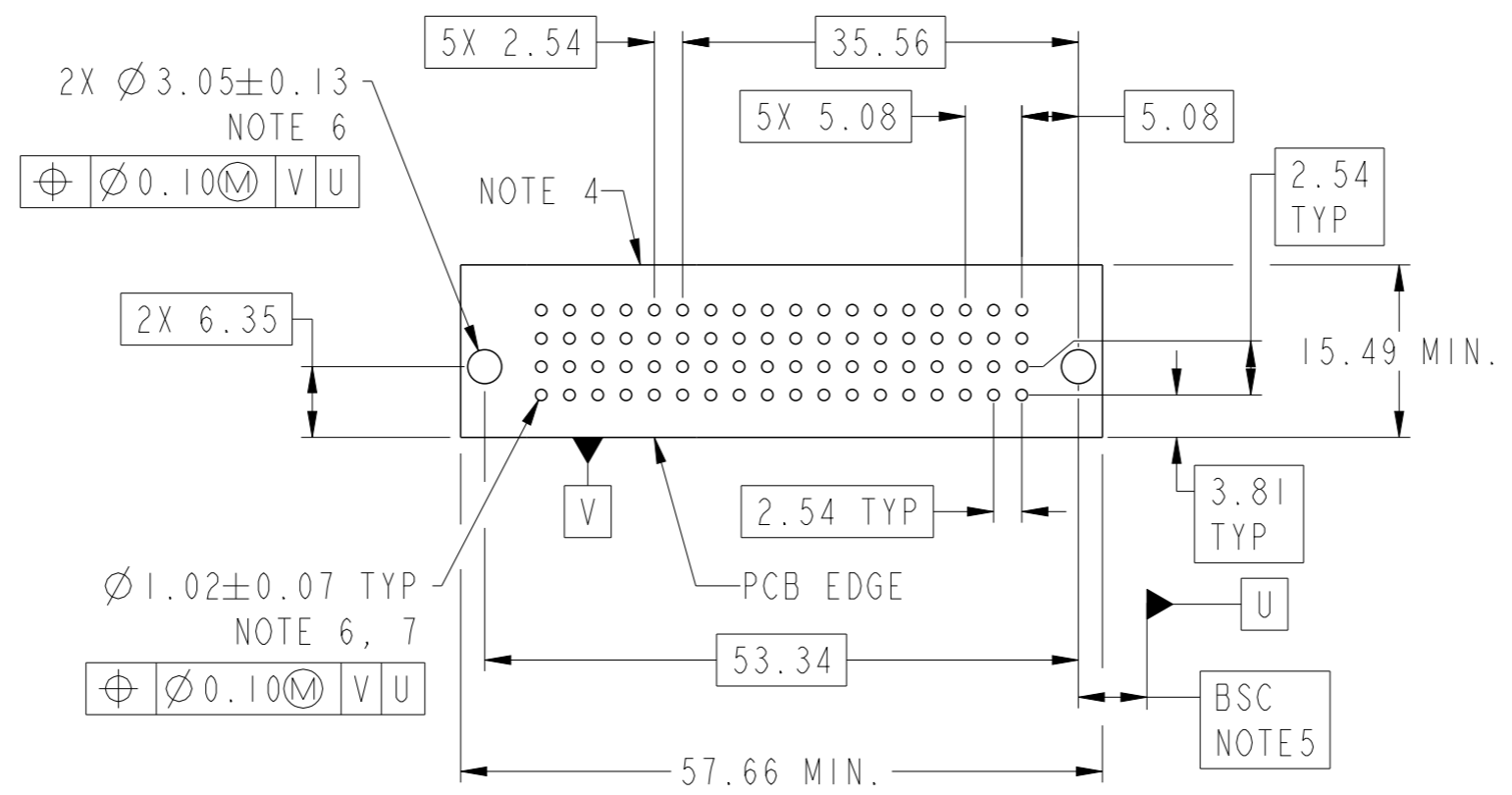
PRODUCT NUMBER SEE SHEET 2



spec ref	-	dr	Peng-Bing Fu	2012/05/23	projection	MM	size	A3	scale	3:2														
tolerance std	ASME Y14.5	eng	Peng-Bing Fu	2012/11/14			ecn no	ELX-DG-013144-1	rel	Chan	Released													
TOLERANCES UNLESS OTHERWISE SPECIFIED		chr	Tian-Xu Huang	2012/11/15								product family	PwrBlade+											
surface	<table border="1"> <tr> <td>linear</td> <td>0.X</td> <td>±0.5</td> </tr> <tr> <td></td> <td>0.XX</td> <td>±0.25</td> </tr> <tr> <td></td> <td>0.XXX</td> <td>±0.10</td> </tr> <tr> <td>angular</td> <td>0°</td> <td>±2°</td> </tr> </table>	linear	0.X	±0.5		0.XX	±0.25		0.XXX	±0.10	angular	0°	±2°	appr	Pei-Ming Zheng	2012/11/15			title	6HDP + 24S	dwg no	10106134-6006001	rev	B
linear	0.X	±0.5																						
	0.XX	±0.25																						
	0.XXX	±0.10																						
angular	0°	±2°																						
ASME Y14.5		www.fci.com	cat. no.	Product - Customer Drw		sheet 1 of 3																		

PRODUCT NO.	ROWS	SIGNAL						HIGH POWER																																								
		E1	6	5	4	3	2	1	P6	P5	P4	P3	P2	P1	E2																																	
10106134-6006001LF	D C B A	<table border="1"> <tr><td>H</td><td>H</td><td>H</td><td>H</td><td>H</td><td>H</td><td>H</td></tr> <tr><td>G</td><td>G</td><td>G</td><td>G</td><td>G</td><td>G</td><td>G</td></tr> <tr><td>F</td><td>F</td><td>F</td><td>F</td><td>F</td><td>F</td><td>F</td></tr> <tr><td>E</td><td>E</td><td>E</td><td>E</td><td>E</td><td>E</td><td>E</td></tr> </table>						H	H	H	H	H	H	H	G	G	G	G	G	G	G	F	F	F	F	F	F	F	E	E	E	E	E	E	E	<table border="1"> <tr><td>H3</td><td>H3</td><td>H3</td><td>H3</td><td>H3</td><td>H3</td><td>H3</td></tr> </table>						H3	H3	H3	H3	H3	H3	H3
H	H	H	H	H	H	H																																										
G	G	G	G	G	G	G																																										
F	F	F	F	F	F	F																																										
E	E	E	E	E	E	E																																										
H3	H3	H3	H3	H3	H3	H3																																										

CODE	DESCRIPTION
E	STD SIGNAL CONTACT, ROW A
F	STD SIGNAL CONTACT, ROW B
G	STD SIGNAL CONTACT, ROW C
H	STD SIGNAL CONTACT, ROW D
H3	STD HIGH POWER CONTACT(3.43)



Copyright FCI.

spec ref	-	dr	Peng-Bing Fu	2012/05/23	projection	MM	size	A3	scale	3:2											
tolerance std	ASME Y14.5	eng	Peng-Bing Fu	2012/11/14			ecn no	ELX-DG-013144-1	rel	Chan											
TOLERANCES UNLESS OTHERWISE SPECIFIED		chr	Tian-Xu Huang	2012/11/15							product family	PwrBlade+	Released								
surface	<table border="1"> <tr><td>linear</td><td>0.X</td><td>± 0.5</td></tr> <tr><td></td><td>0.XX</td><td>± 0.25</td></tr> <tr><td></td><td>0.XXX</td><td>± 0.10</td></tr> <tr><td>ASME Y14.5</td><td>angular</td><td>0°</td></tr> <tr><td></td><td></td><td>$\pm 2^\circ$</td></tr> </table>	linear	0.X	± 0.5											0.XX	± 0.25		0.XXX	± 0.10	ASME Y14.5	angular
linear	0.X	± 0.5																			
	0.XX	± 0.25																			
	0.XXX	± 0.10																			
ASME Y14.5	angular	0°																			
		$\pm 2^\circ$																			
www.fci.com		6HDP + 24S RA SOLDER RECEPTACLE		cat. no.	Product - Customer Drw	sheet 2 of 3															

NOTES:

- 1) "FCI", PART NUMBER AND DATE CODE TO BE MARKED ON THIS SURFACE.
THE P/N CAN BE OMITTED IF THERE IS NOT ENOUGH SPACE ON THIS SURFACE.
- 2) MATERIALS:
-HOUSING - GLASS FILLED WITH HIGH TEMP THERMOPLASTIC, UL94V-0.
-SIGNAL CONTACT - COPPER ALLOY.
-POWER CONTACT - HIGH CONDUCTIVITY COPPER ALLOY.
- 3) PLATING SPECIFICATION REFER TO FCI 10116351
- 4) DENOTES CONNECTOR KEEP OUT ZONE.
- 5) DATUM AND BASIC DIMENSIONS WERE ESTABLISHED BY CUSTOMER.
- 6) ALL HOLE DIAMETERS ARE FINISHED HOLE SIZES.
- 7) 1.15 ± 0.025 MM DRILLED HOLE PLATED WITH 0.00762MM MIN Sn
OVER 0.0254-0.0762MM Cu PLATING TO ACHIEVE A 1.02 ± 0.07 MM HOLE.
- 8) PRODUCT SPECIFICATION REFER TO FCI GS-12-658.
APPLICATION SPECIFICATION REFER TO FCI GS-20-141.
PRODUCT PACKAGED IN TRAYS, REFER TO FCI GS-14-1502.
- 9) THE VOID CORING IN BETWEEN POWER MODULES, SIGNAL
MODULES AND END MODULES ARE OPTIONAL AND THE SHAPE
MAY BE DIFFERENT FOR OPTIMIZE THE MOLDING PROCESS. THE
VOID CORING WILL NOT EFFECT TO PRODUCT FUNCTION.
- 10) A \triangle SYMBOL WILL BE NEXT TO ANY DIMENSION, VIEW, OR NOTE WHICH
HAS BEEN MODIFIED WITH THE CURRENT DRAWING REVISION.

spec ref -		dr	Peng-Bing Fu	2012/05/23	projection	MM	size	A3	scale	3:2		
tolerance std	TOLERANCES UNLESS OTHERWISE SPECIFIED	eng	Peng-Bing Fu	2012/11/14		← →	ecn no		ELX-DG-013144-1			
ASME Y14.5		chr	Tian-Xu Huang	2012/11/15			product family		PwrBlade+	rel	Chan	Released
-		appr	Pei-Ming Zheng	2012/11/15			PwrBlade+		rel	Chan	Released	
surface		linear	0.X	±0.5	6HDP + 24S		dwg no	10106134-6006001		rev	B	
ASME Y14.5	angular	0°	±2°	RA SOLDER RECEPTACLE		cat. no.	Product - Customer Drw		sheet 3 of 3			



Copyright FCI.