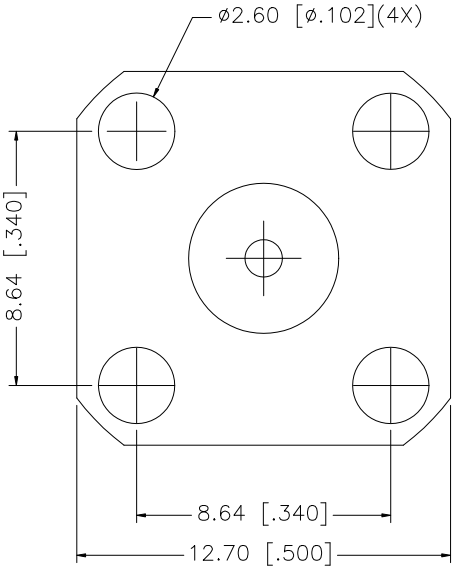
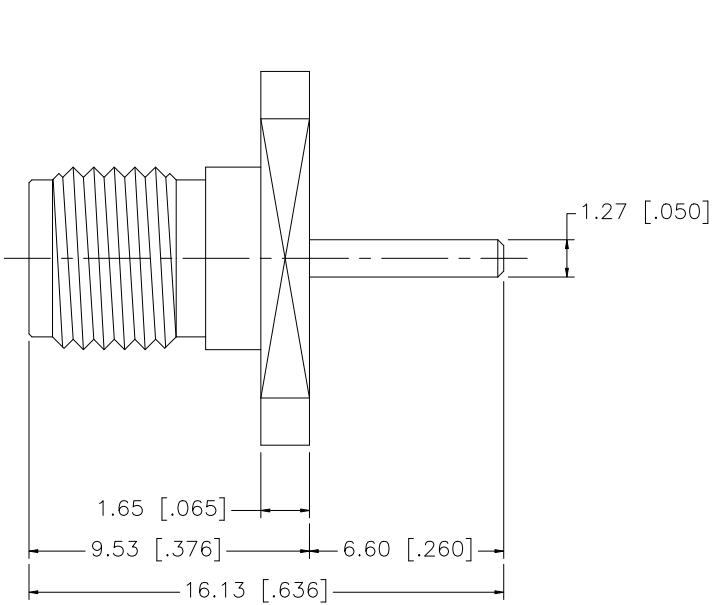


REV.	DATE	DESCRIPTION
A	05/01/04	UPDATE DRAWING FORMAT
B	10/10/07	REMOVE CRIMP NOTES



8				UNLESS OTHERWISE SPECIFIED DIMENSIONS ARE IN MILLIMETERS. DIMENSIONS IN [] ARE IN INCHES AND FOR CUSTOMER REFERENCE ONLY.	APPROVALS	DATE	Amphenol Connex				
7					DRAWN	G.R.S.					10/10/07
6				UNLESS OTHERWISE SPECIFIED TOLERANCES FOR MILLIMETERS ARE: 0.5 - 8mm ± 0.20mm 8 - 30mm ± 0.40mm 30 - 120mm ± 0.50mm	CHECKED		PART DESCRIPTION SMA PANEL RECEPT. JACK				
5					ISSUED						
4					SHEET	1 OF 1					
3	CONTACT PIN	BER. COPPER	GOLD	1			PART NO. 132204				
2	INSULATOR	TEFLON	NATURAL	1							
1	BODY	BRASS	GOLD	1							
	DESCRIPTION	MATERIAL	FINISH	QTY	CAD FILE C:/132/132204.DWG		DWG. NO.	132204.DWG	REV. B	SIZE A	SCALE NA
					DO NOT SCALE DRAWING						

UNLESS OTHERWISE SPECIFIED DIMENSIONS ARE IN MILLIMETERS. DIMENSIONS IN [] ARE IN INCHES AND FOR CUSTOMER REFERENCE ONLY.

UNLESS OTHERWISE SPECIFIED TOLERANCES FOR MILLIMETERS ARE:
0.5 - 8mm ± 0.20mm
8 - 30mm ± 0.40mm
30 - 120mm ± 0.50mm

UNLESS OTHERWISE SPECIFIED TOLERANCES FOR INCHES ARE:
.020 - .315 = ± 0.007"
.315 - 1.180 = ± 0.015"
1.180 - 4.724 = ± 0.020"