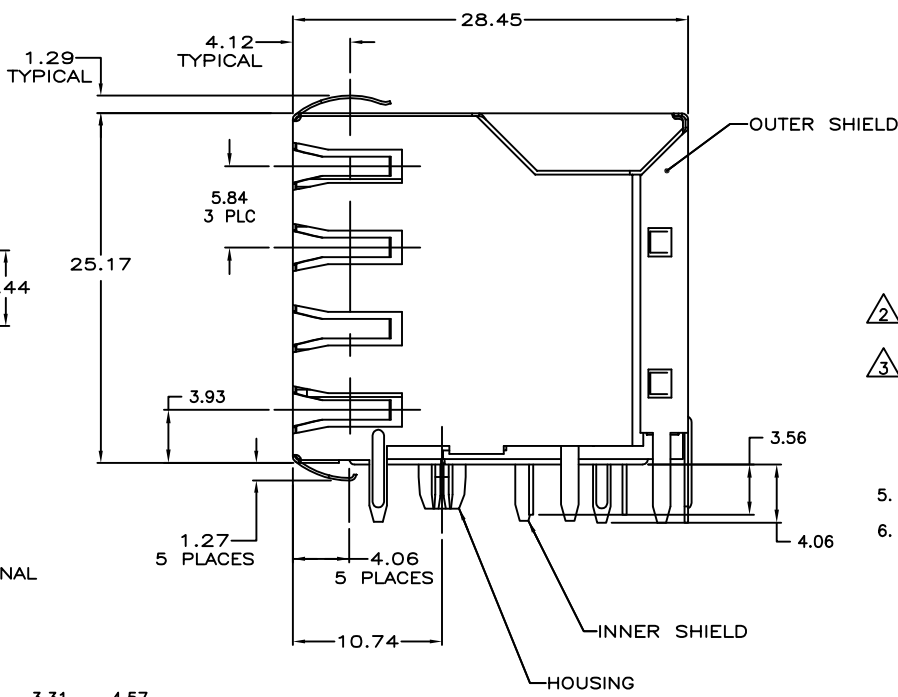
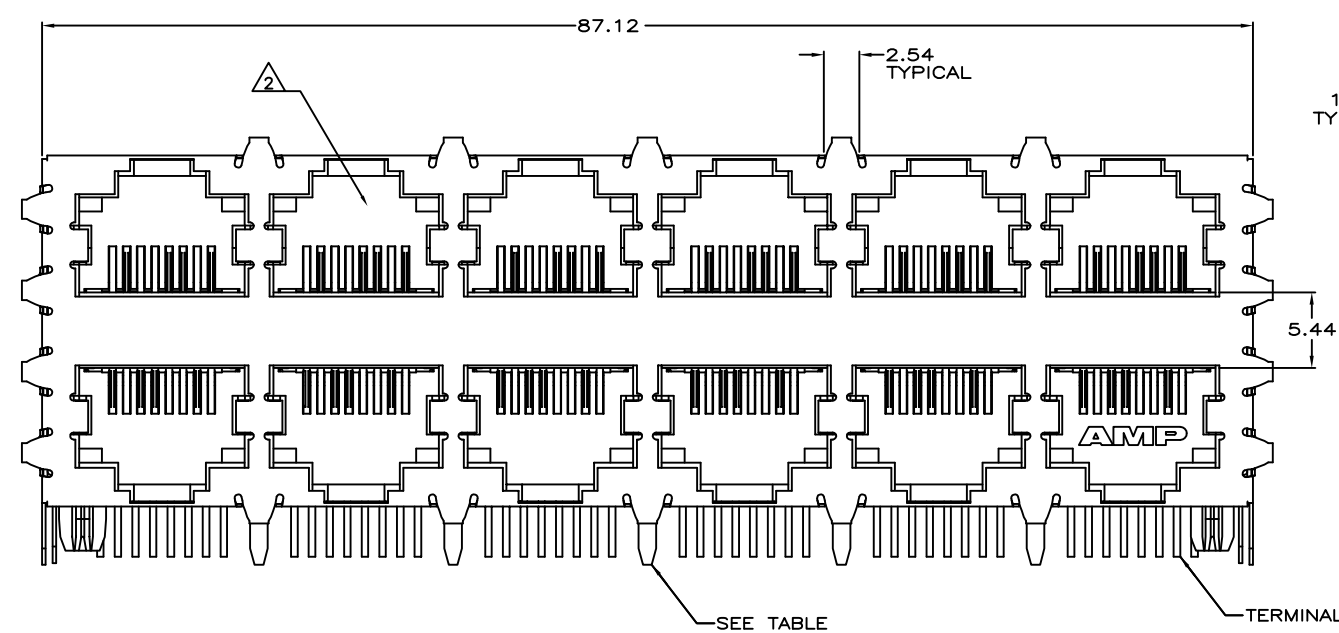
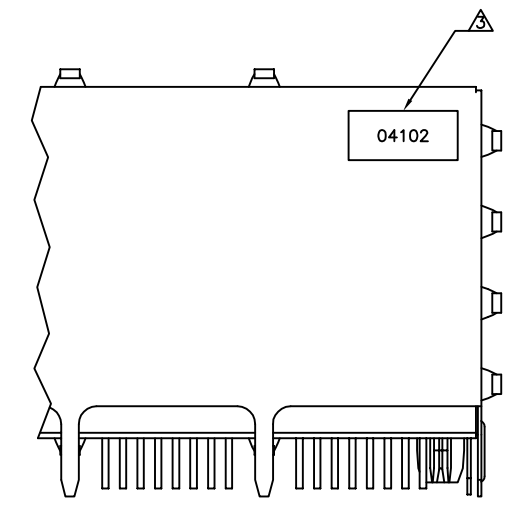
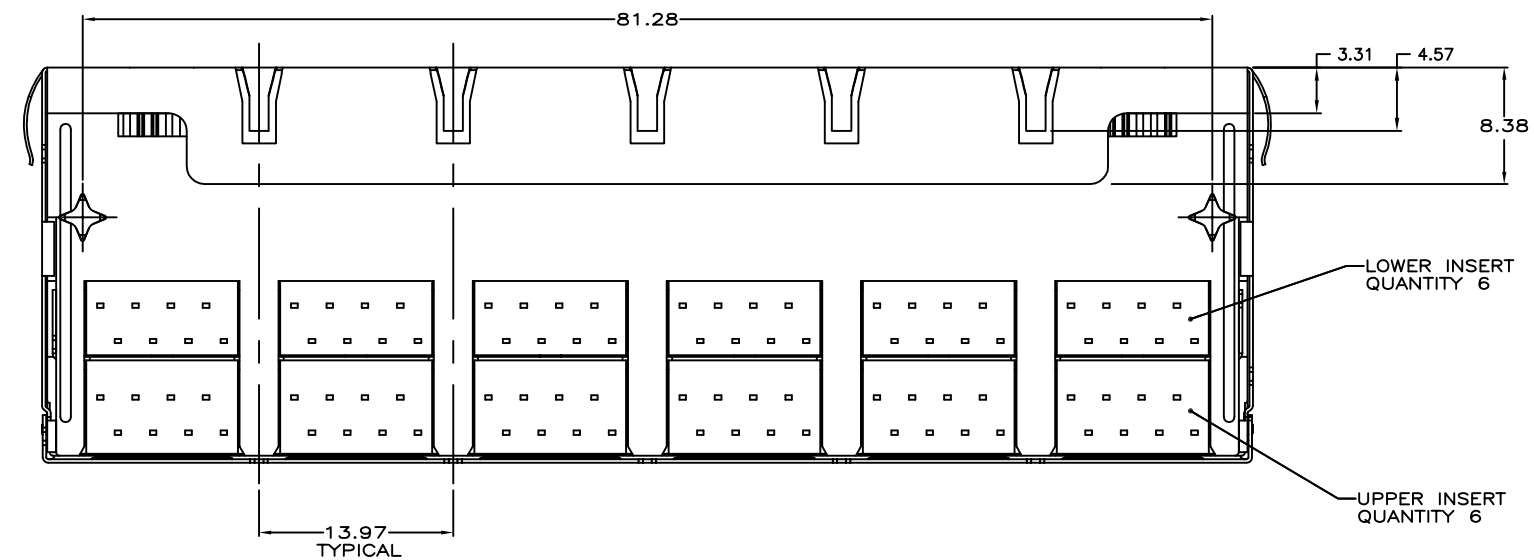


THIS DRAWING IS UNPUBLISHED. RELEASED FOR PUBLICATION  
 © COPYRIGHT BY TYCO ELECTRONICS CORPORATION. ALL RIGHTS RESERVED.

LOC		DST		REVISIONS			
AA	22	F	LN	DESCRIPTION	DATE	BY	APPD
		B2		REV PER ECR-08-020098	11AUG2008	AL	SY



- MATERIAL:  
 HOUSING - PCT POLYESTER, BLACK, UL94V-0.  
 OVERMOLDED TERMINAL ARRAY - HIGH TEMPERATURE NYLON, COLOR: NATURAL  
 TERMINALS - 0.33 [.013] THICK PHOS BRONZE PLATED WITH 1.27um [.000050] MIN THICK HARD GOLD IN LOCALIZED AREA AND 3.81um [.000150] MIN THICK MATTE TIN IN SOLDER AREA OVER 1.27um [.000050] MIN THICK NICKEL UNDERPLATE.  
 INNER SHIELD - 0.25 [.010] THICK COPPER ALLOY PLATED WITH 2.03um [.000080] MIN BRIGHT TIN OVER 1.27um [.000050] MIN NICKEL.  
 OUTER SHELL - 0.196[.0077] THICK COPPER ALLOY PLATED WITH 1.27um[.000050] MIN NICKEL. PCB GROUND TABS DIPPED WITH 2.03um[.000080] MIN TIN
- JACK CAVITY CONFORMS TO FCC RULES AND REGULATIONS, PART 68 SUBPART F.
- DATE CODE LOCATED ON REAR OF PART APPROXIMATELY AS SHOWN:  
 FIRST 2 DIGITS ARE LAST 2 DIGITS OF YEAR, SECOND 2 DIGITS ARE MANUFACTURING WORK WEEK, LAST DIGIT IS DAY OF WEEK, WITH SUNDAY = 1.
- PARTS PACKAGED IN SEALED BAGS WITH DESICCANT
- PARTS SUITABLE FOR LEAD FREE REFLOW PROCESSING TO 260° C



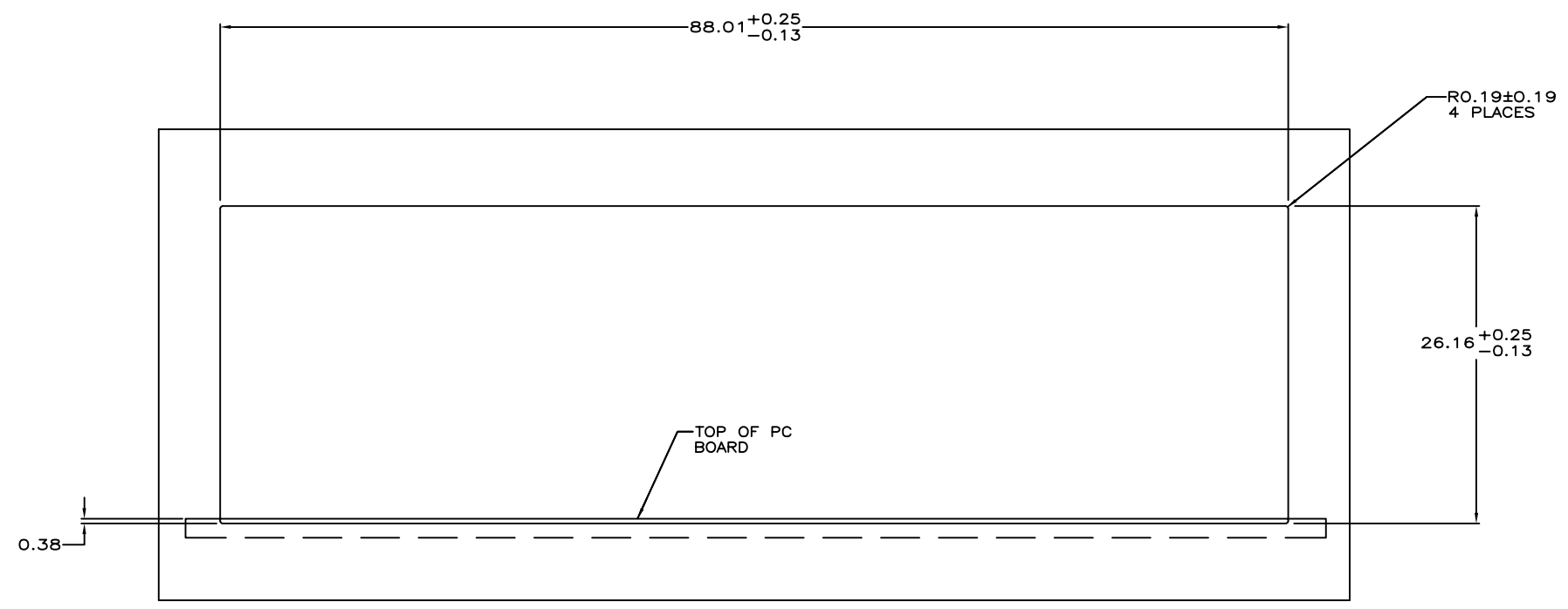
PARTIAL REAR VIEW

2007023-1  
 PART NUMBER

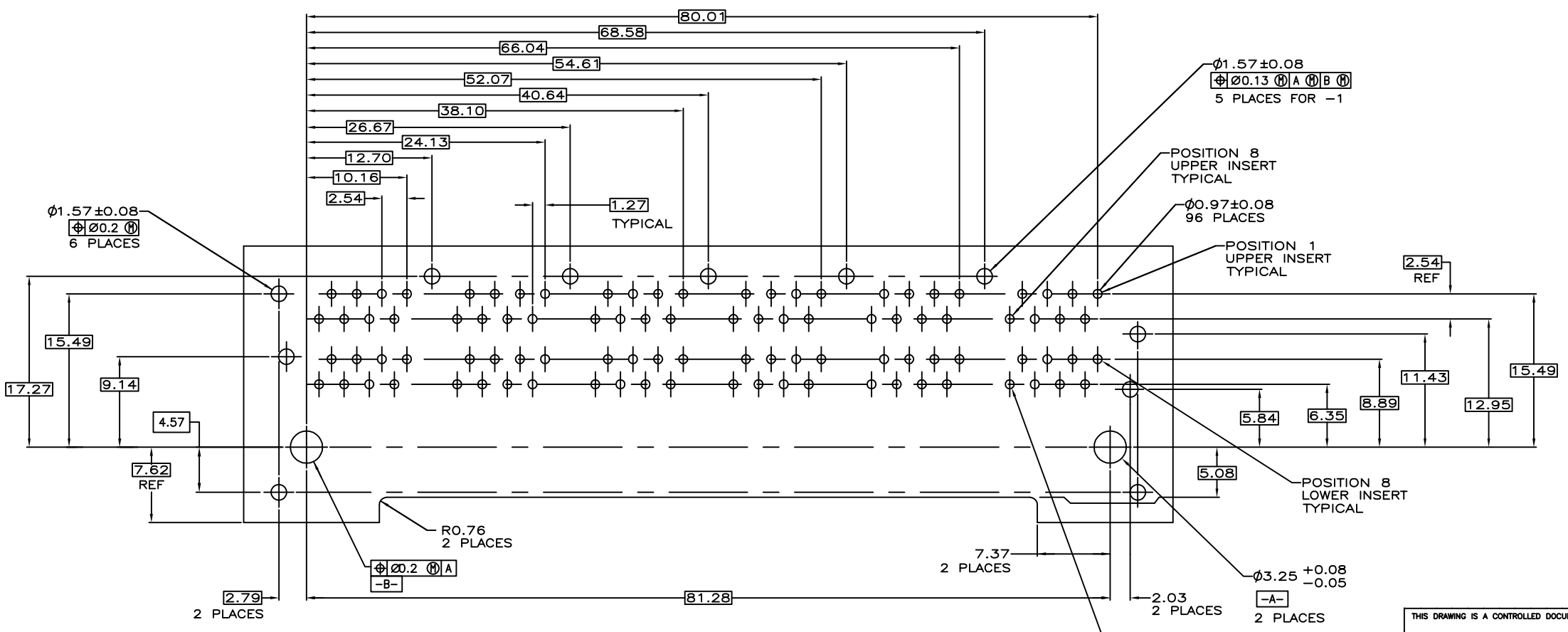
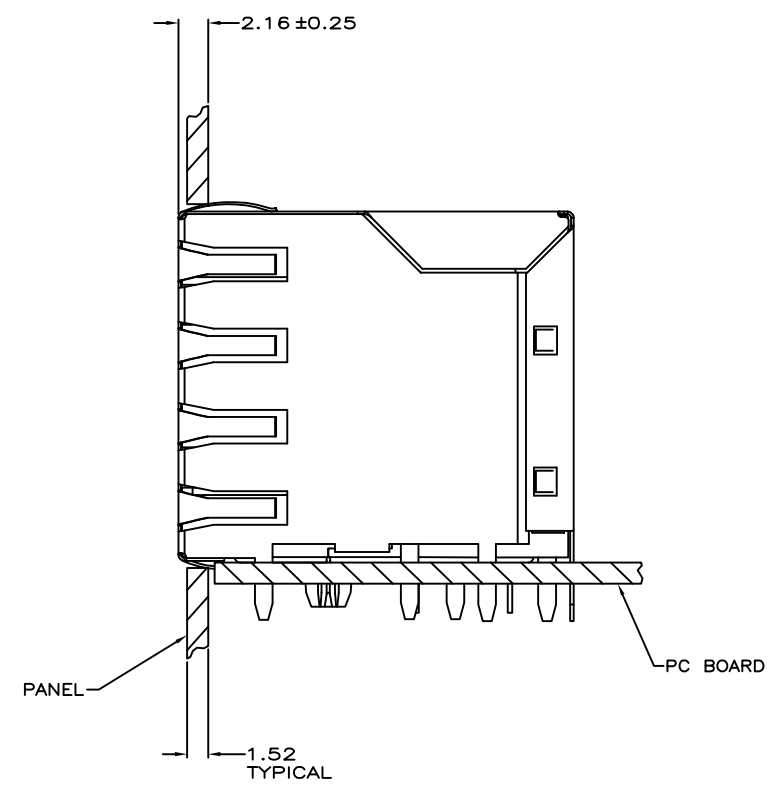
THIS DRAWING IS A CONTROLLED DOCUMENT.		DRW L VARELA - DOCK5	DATE 08/19/2008	DESIGNER S WESTMAN	DATE 08/19/2008	NAME S FLICKINGER	DATE 08/19/2008	PRODUCT SPEC 108-1163-2	APPLICATION SPEC 114-2048	SIZE A1	CAGE CODE 00779	DRAWING NO C=2007023	RESTRICTED TO -
DIMENSIONS: mm	TOLERANCES UNLESS OTHERWISE SPECIFIED:												
0 PLC	± .00												
1 PLC	± .01												
2 PLC	± 0.13												
3 PLC	± .01												
4 PLC	± .01												
ANGLES	± .01												
MATERIAL SEE NOTE 1	FINISH SEE NOTE 1	WEIGHT -	SCALE 4:1	SHEET 1 OF 2	REV B2								

THIS DRAWING IS UNPUBLISHED. RELEASED FOR PUBLICATION  
 © COPYRIGHT BY TYCO ELECTRONICS CORPORATION. ALL RIGHTS RESERVED.

LOC	DIST	REVISIONS			
P	LN	DESCRIPTION	DATE	BY	APP'D
AA	00	SEE SHEET 1	-	-	-



SUGGESTED PANEL CUTOUT DIMENSIONS



PC BOARD LAYOUT VIEWED FROM COMPONENT SIDE

THIS DRAWING IS A CONTROLLED DOCUMENT.		DRW: L. VARELA - DOCK5	CHK: J. WESTMAN	APP'D: S. FLICKINGER	DATE: 08/19/2008	NAME: STACKED MODULAR JACK ASSEMBLY, 2x6 PORT, RJ45, SHIELDED, WAVE PANEL GROUNDS, CAT 5/GIGABIT ETHERNET
DIMENSIONS: mm		TOLERANCES UNLESS OTHERWISE SPECIFIED:		MATERIAL: -		FINISH: -
0 PLC	± 0.13	1 PLC		± 0.13	2 PLC	
3 PLC	± 0.13	4 PLC		± 0.13	5 PLC	
6 PLC	± 0.13	8 PLC		± 0.13	ANGLES	
MATERIAL: -		FINISH: -		WEIGHT: -		SIZE: A1
CUSTOMER DRAWING		SCALE: 4:1		SHEET: 2 OF 2		REV: B2