

PART NUMBER CODING

G E140DHHN-T9 1

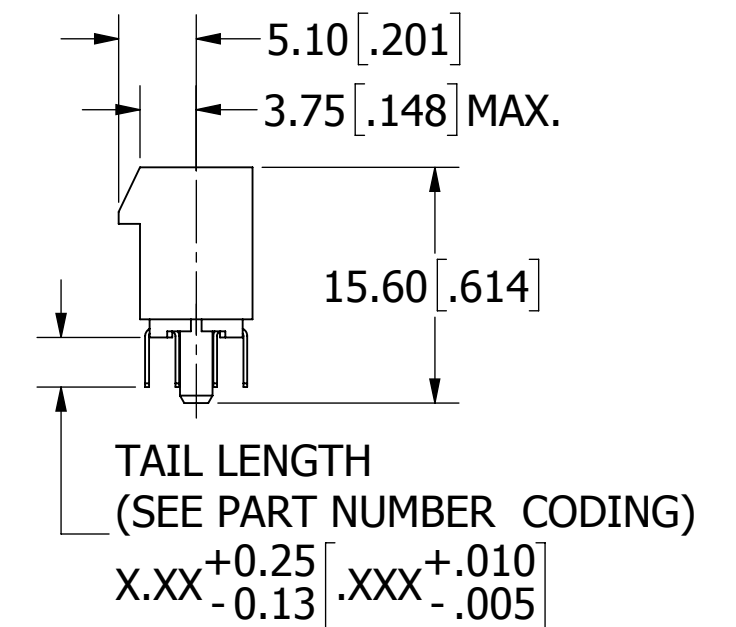
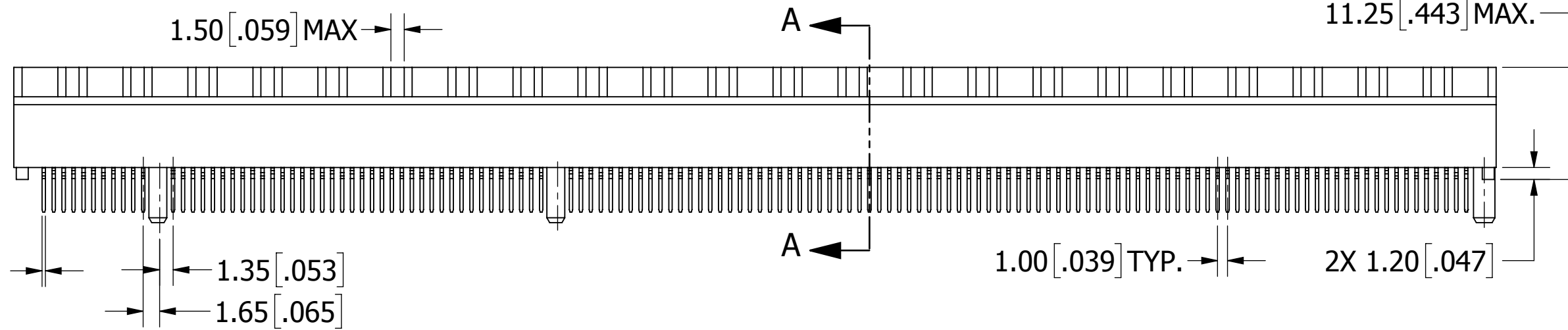
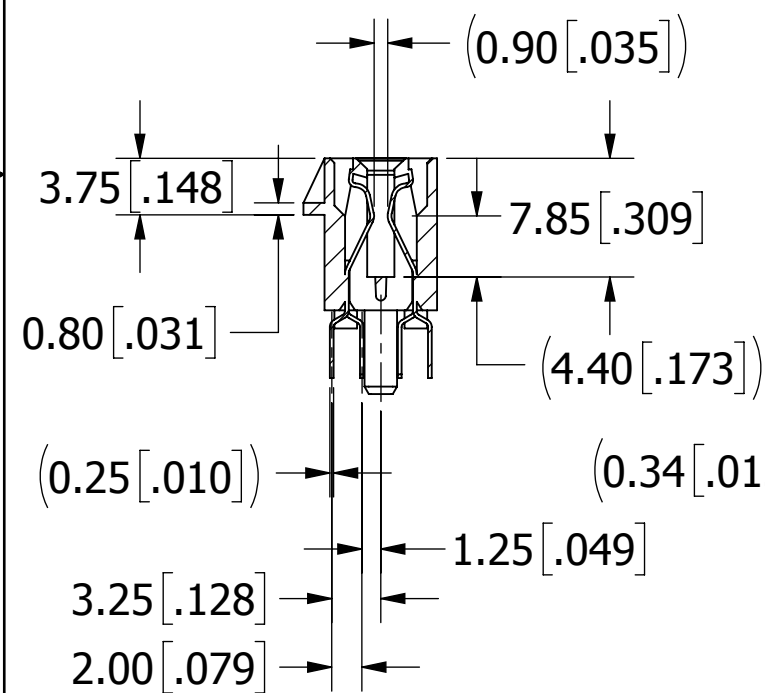
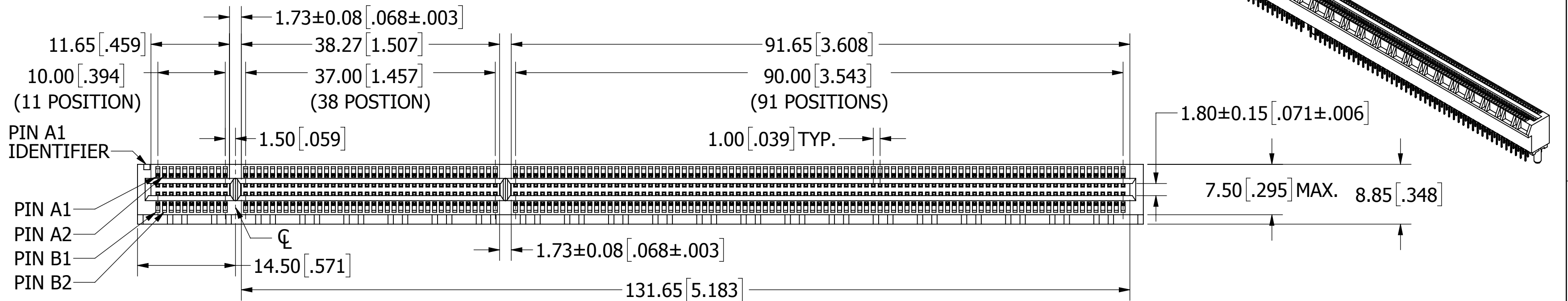
MATERIAL (INSULATOR / CONTACT)
G = NYLON 9T / PHOSPHOR BRONZE

COLOR
1 = BLACK

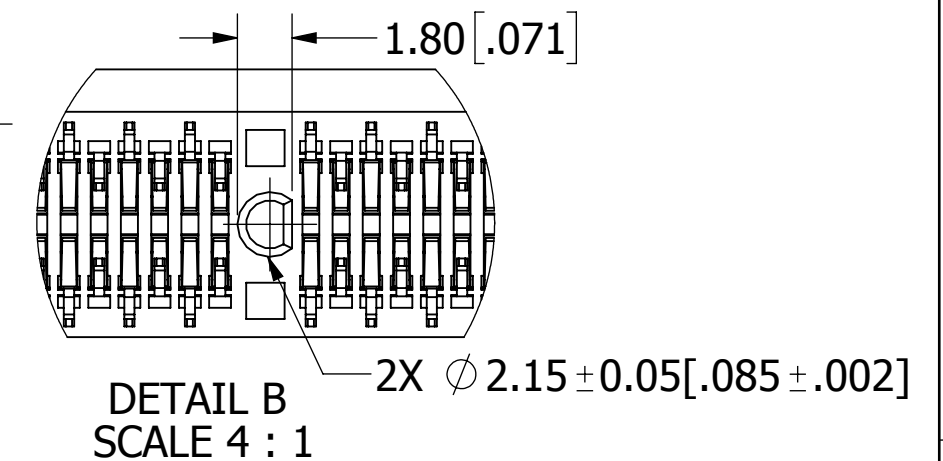
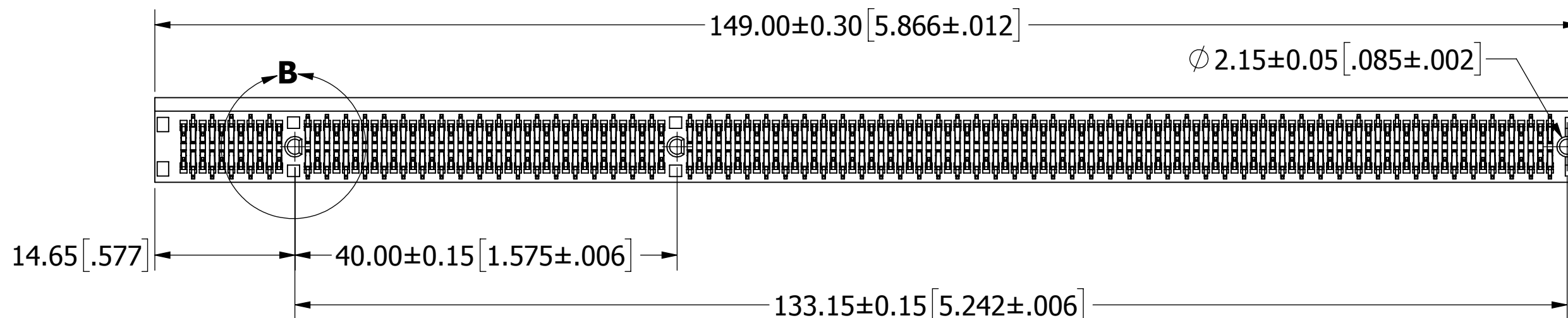
PLATING
(ALL PLATINGS ARE LEAD FREE AND HAVE 50μ" NICKEL UNDERPLATE)
CONTACT SURFACE TERMINATION
W = GOLD FLASH .000100" PURE TIN, MATTE
B = .000010" GOLD .000100" PURE TIN, MATTE
C = .000030" GOLD .000100" PURE TIN, MATTE

TAIL LENGTH
1 = 2.30[.091] (FOR 1.57[.062] PCB)
2 = 2.54[.100] (FOR 1.57[.062] PCB)
3 = 3.10[.122] (FOR 2.36[.093] PCB)

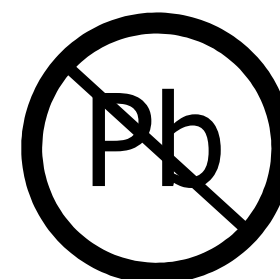
REVISIONS				
REV.	ECO. NO	DESCRIPTION	DATE	BY
H	2920	REMOVE MATERIAL CODE 'N'	2/13/2014	JHSU
J	3048	ADD NOTE 13 FOR 'N' MATERIAL CODE	8/12/2014	JHSU
K	3665	UPDATE PROCESSING TEMPERATURE	04/20/2017	LH



SECTION A-A

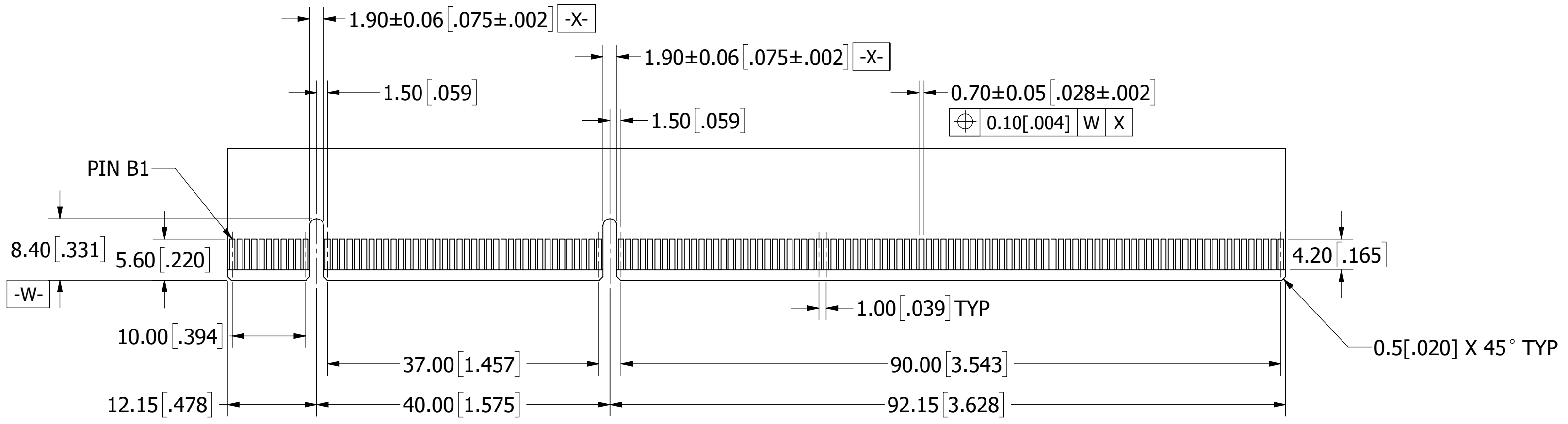


- NOTES:
1. INSULATOR MATERIAL: NYLON 9T, UL 94V-0.
 2. CONTACT MATERIAL: PHOSPHOR BRONZE.
 3. CONTACT PLATING: SEE PART NUMBER CODING.
 4. CURRENT RATING: 1.1 AMP PER CONTACT.
 5. VOLTAGE RATING: 50 V AC
 6. INSULATOR RESISTANCE: 1000 MEGOHMS MIN.
 7. CONTACT RESISTANCE: 30 MILLI OHMS MAX.
 8. DIELECTRIC WITHSTANDING: 500 V AC.
 9. OPERATING TEMPERATURE: -10° C TO +85° C.
 10. PROCESSING TEMP: WAVE/MANUAL SOLDERING ONLY.
 11. INSERTION FORCE: 117.3gf (1.15 N) MAX PER CONTACT PAIR USING A 1.70 mm (.067") STEEL CARD.
 12. WITHDRAWAL FORCE: 15.31gf (0.15 N) MIN PER CONTACT PAIR USING A 1.44 mm (.057") STEEL CARD.
 13. MATERIAL CODE 'N' EQUIVALENT TO 'G'.

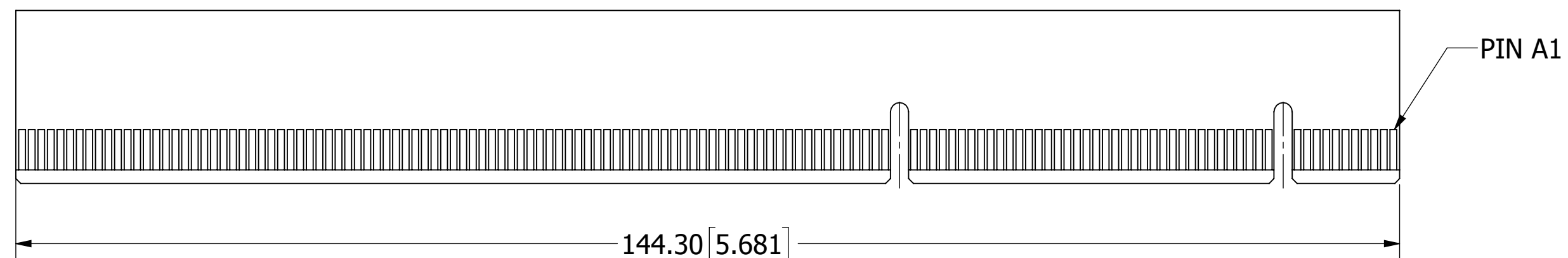


RoHS COMPLIANT

UNLESS OTHERWISE SPECIFIED: DIMENSIONS ARE IN MM[INCHES]	DRAWN	DATE	NAME	
		06/24/2009	JH	
TOLERANCES: ANGULAR: ± 3° DECIMALS .X = ± 0.35 [.014] .XX = ± 0.25 [.010] .XXX = ± 0.080 [.0031]	<small>THE INFORMATION HEREIN CONTAINS PROPRIETARY INFORMATION OF SULLINS ELECTRONICS AND IS NOT TO BE REPRODUCED, USED OR DISCLOSED TO OTHERS FOR ANY PURPOSE EXCEPT AS SPECIFICALLY AUTHORIZED IN WRITING BY AN OFFICER OF SULLINS ELECTRONICS.</small>			TITLE
				PCI EXPRESS, 1mm CC, 140P, DIP SOLDER(GEN 1) PART NUMBER G_E140DHHN-T9_1
	SIZE	CAGE CODE	DWG. NO.	REV
	C	54453	11040	K
	SCALE: 2:1	SHEET 1 OF 2		

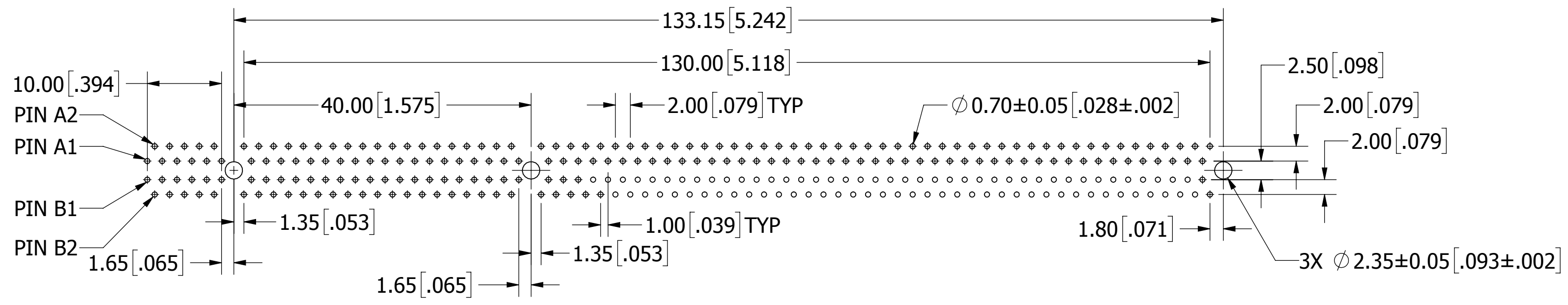
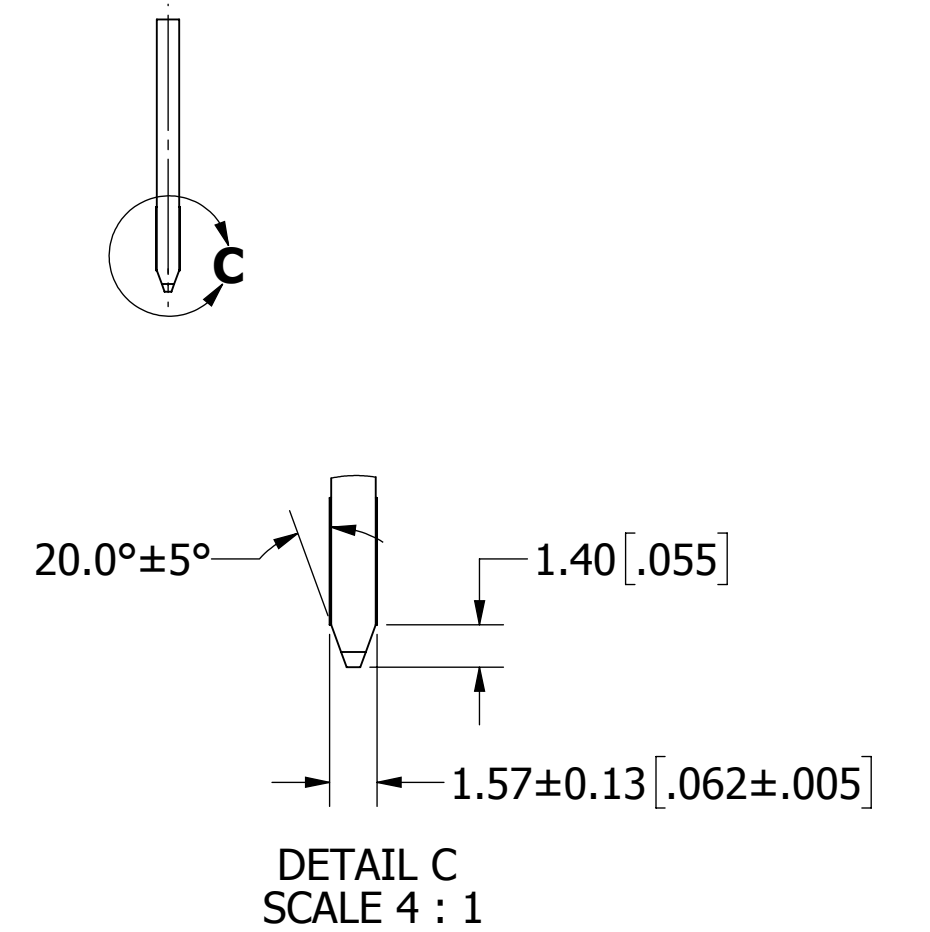


**I/O PANEL DIRECTION
PRIMARY (COMPONENT) SIDE**



**I/O PANEL DIRECTION
SECONDARY (SOLDER) SIDE**

ADD-IN CARD EDGE-FINGER DIMENSIONS



RECOMMENDED PCB LAYOUT



UNLESS OTHERWISE SPECIFIED: DIMENSIONS ARE IN MM[INCHES]	DRAWN	DATE	NAME			
		06/24/2009	JH			
TOLERANCES: ANGULAR: ± 3° DECIMALS .X= ± 0.35 [.014] .XX= ± 0.25 [.010] .XXX= ± 0.080 [.0031]	THE INFORMATION HEREIN CONTAINS PROPRIETARY INFORMATION OF SULLINS ELECTRONICS AND IS NOT TO BE REPRODUCED, USED OR DISCLOSED TO OTHERS FOR ANY PURPOSE EXCEPT AS SPECIFICALLY AUTHORIZED IN WRITING BY AN OFFICER OF SULLINS ELECTRONICS.			TITLE PCI EXPRESS, 1mm CC, 140P, DIP SOLDER(GEN 1)		
	PART NUMBER G_E140DHHN-T9_1			SIZE C	CAGE CODE 54453	DWG. NO. 11040
SCALE: 2:1		SHEET 2 OF 2				