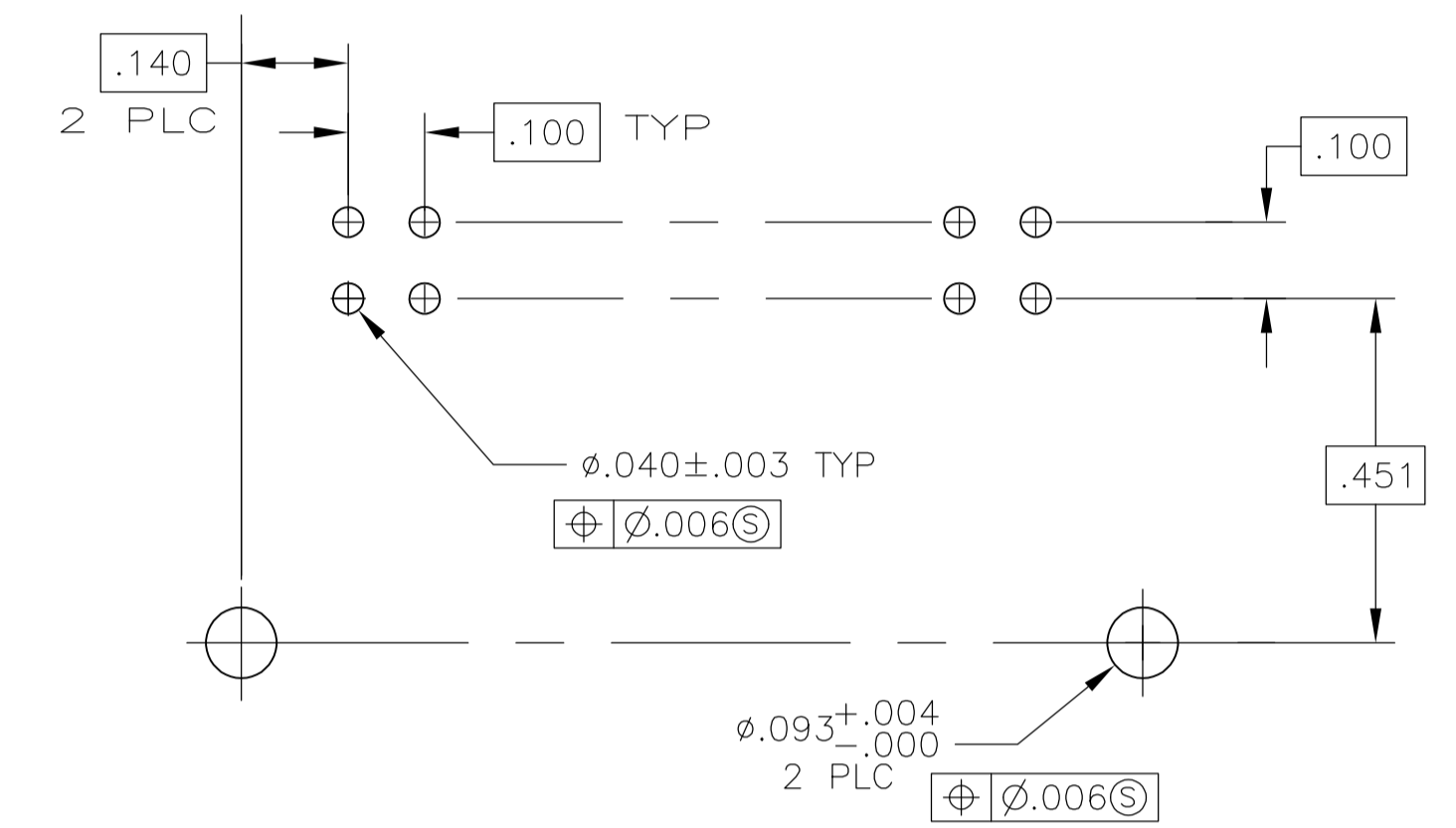
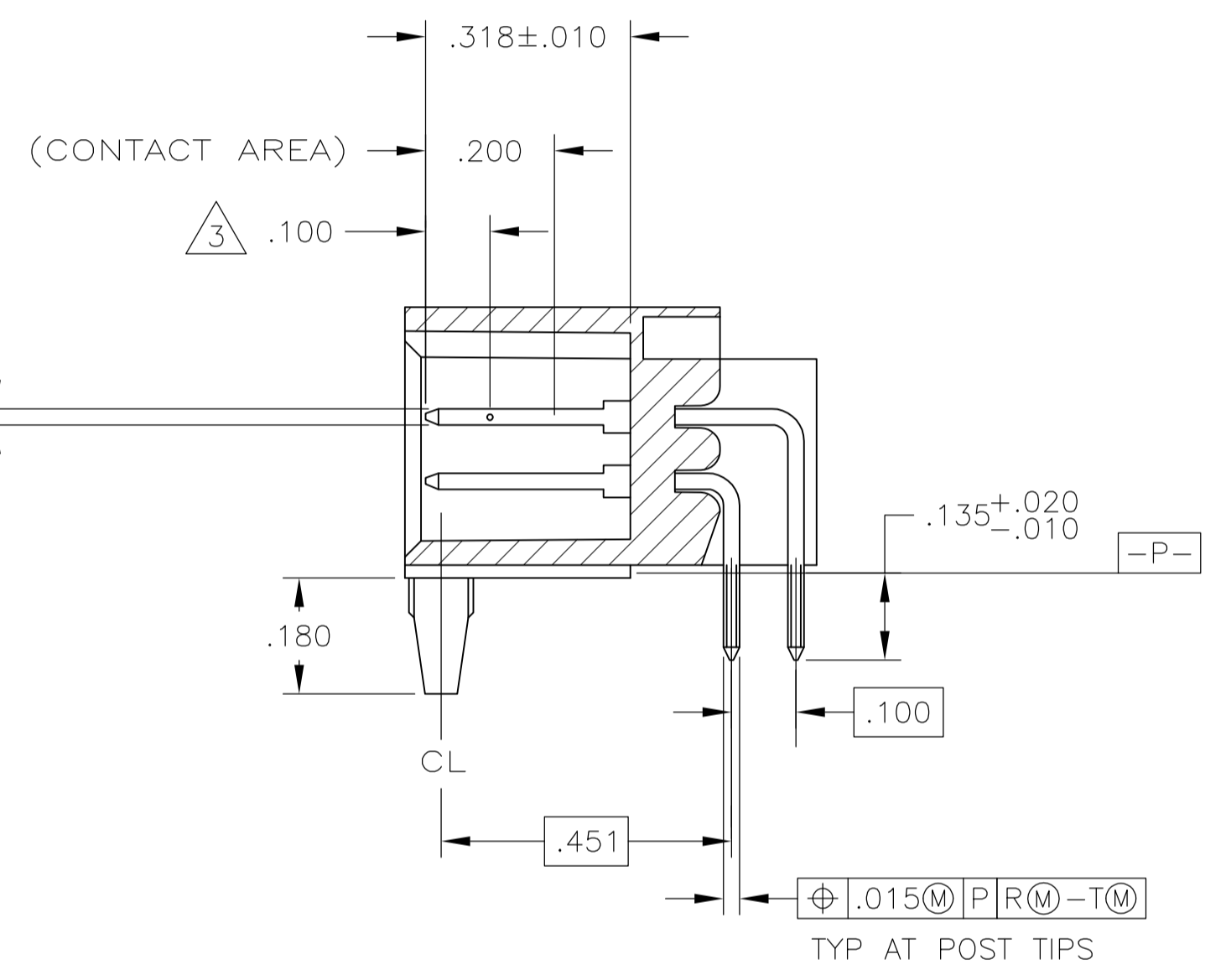
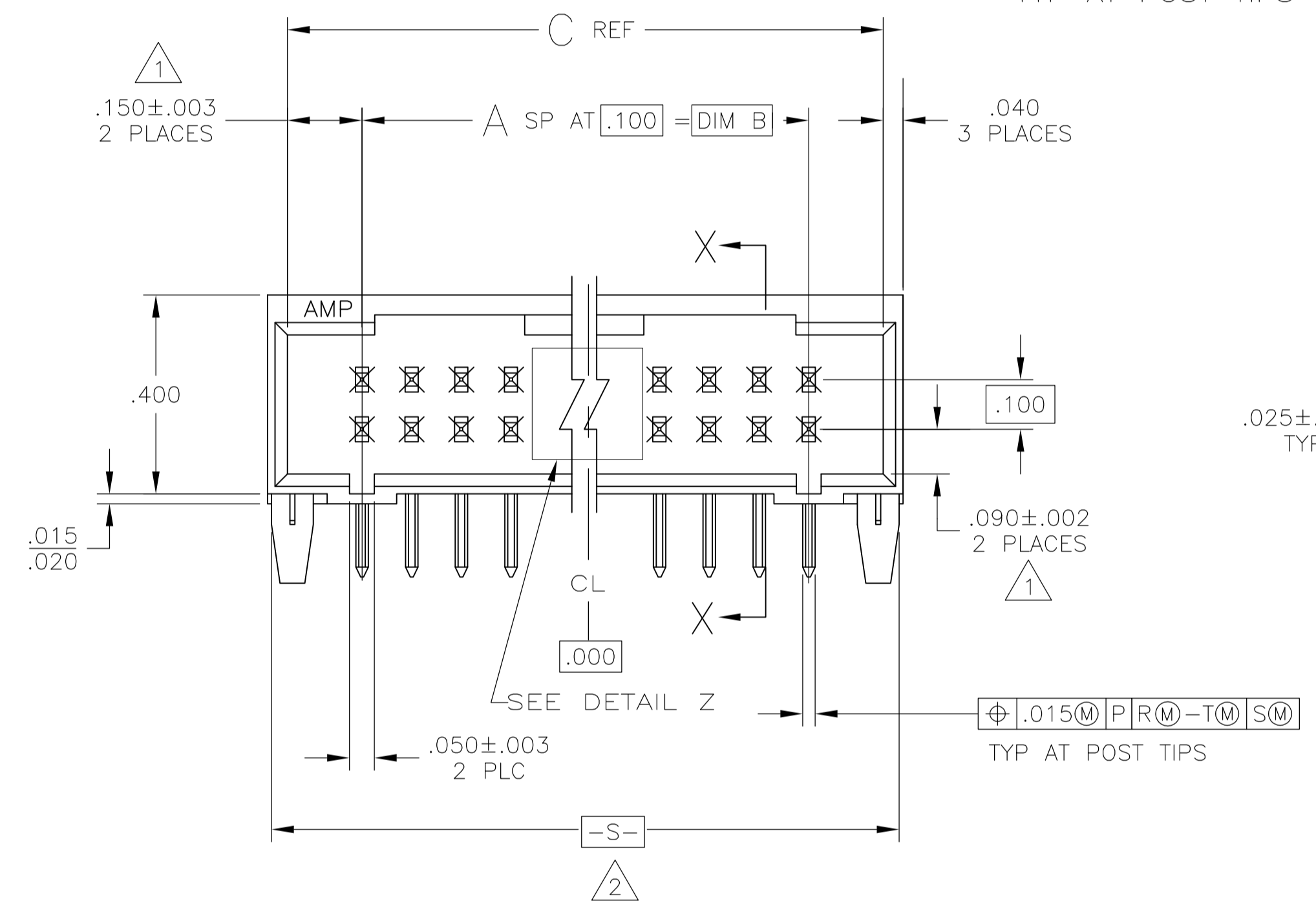
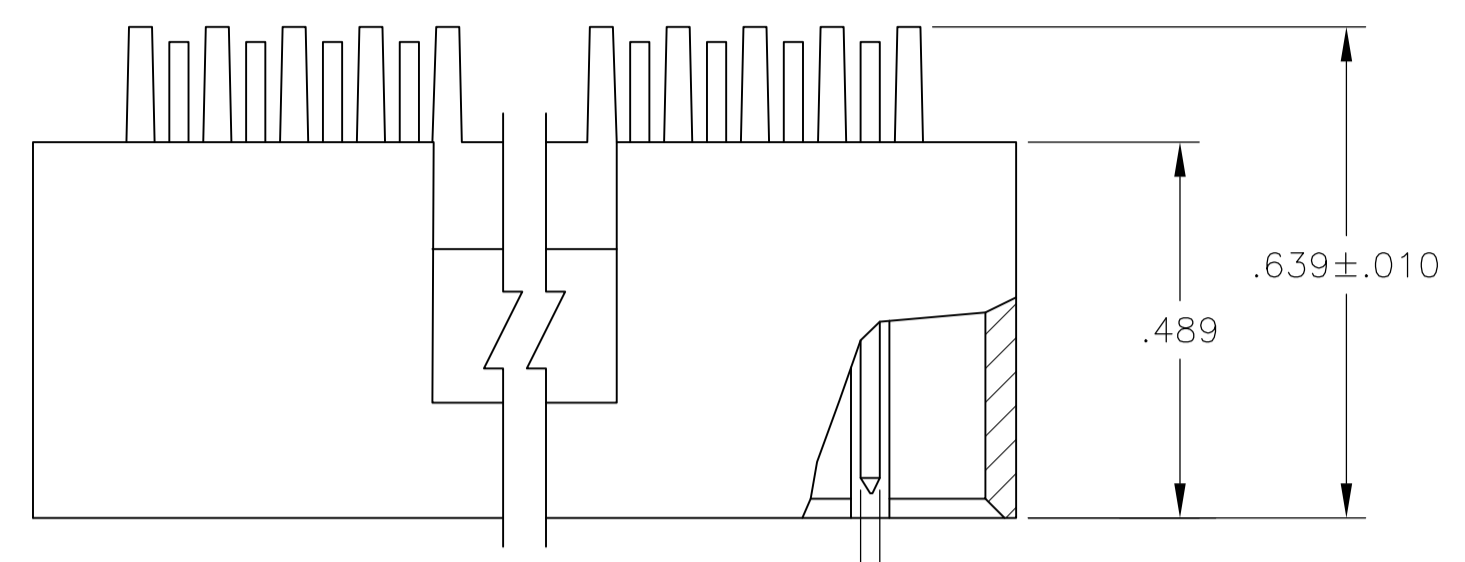
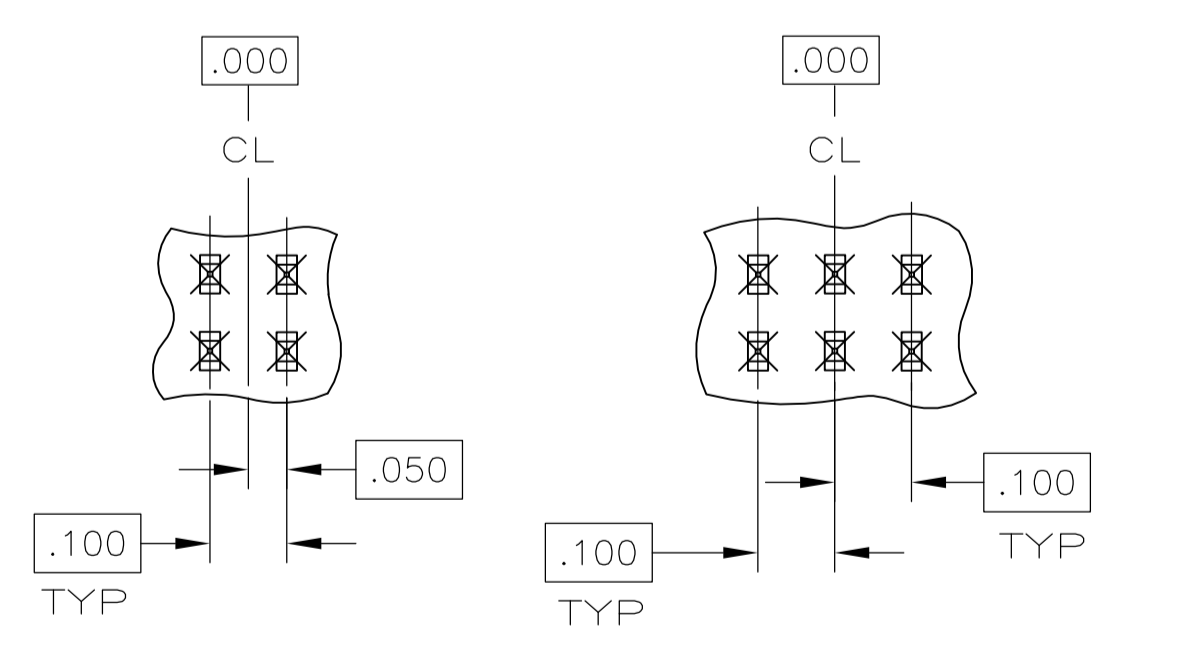
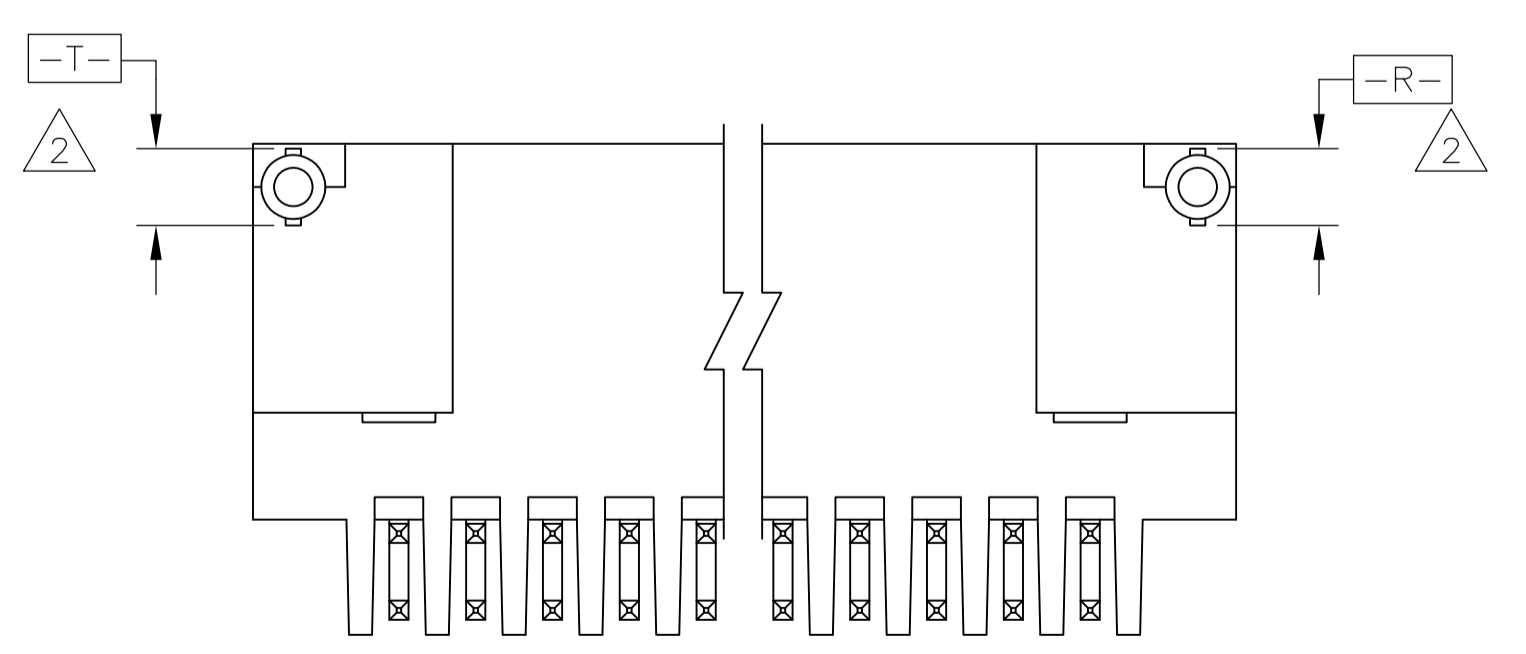


- 1 THE NOTED DIMENSIONS APPLY AT THE INTERSECTION OF THE POST AND HOUSING
- 2 THE NOTED DIMENSIONS APPLY AT THE INTERSECTION WITH DATUM $-P-$
- 3 POINT OF MEASUREMENT FOR PLATING THICKNESS
- 4 POSTS: .000015 GOLD IN CONTACT AREA, .000100-.000200 MATTE TIN-LEAD ON SOLDER TAIL, ALL OVER .000050 NICKEL
- 5 POSTS: .000015 GOLD IN CONTACT AREA, .000100-.000200 MATTE TIN ON SOLDER TAIL, ALL OVER .000050 NICKEL
- 6 OBSOLETE PARTS: OBSOLETE CIS STREAMLINING PER D.RENAUD/D.SINISI



RECOMMENDED HOLE LAYOUT



BASIC DIMENSION FOR ODD NO. OF SPACES (SEE TABLE)
BASIC DIMENSION FOR EVEN NO. OF SPACES (SEE TABLE)

DETAIL Z

6	OBsolete	23	2.600	2.300	23	48	5-104319-9
		5	.800	.500	5	12	5-104319-8
6	OBsolete	4	.700	.400	4	10	5-104319-7
		16	1.900	1.600	16	34	5-104319-6
6	OBsolete	6	.900	.600	6	14	5-104319-5
		19	2.200	1.900	19	40	5-104319-4
6	OBsolete	14	1.700	1.400	14	30	5-104319-3
		9	1.200	.900	9	20	5-104319-2
6	OBsolete	7	1.000	.700	7	16	5-104319-1
		23	2.600	2.300	23	48	104319-9
6	OBsolete	5	.800	.500	5	12	104319-8
		4	.700	.400	4	10	104319-7
6	OBsolete	16	1.900	1.600	16	34	104319-6
		6	.900	.600	6	14	104319-5
6	OBsolete	19	2.200	1.900	19	40	104319-4
		14	1.700	1.400	14	30	104319-3
6	OBsolete	9	1.200	.900	9	20	104319-2
		7	1.000	.700	7	16	104319-1

THIS DRAWING IS A CONTROLLED DOCUMENT.

DIMENSIONS: INCHES	TOLERANCES UNLESS OTHERWISE SPECIFIED:	DIN H MOLL 19-10-87	TE Connectivity
0 PLC ± -	1 PLC ± -	CHK R FEIDT	NAME
2 PLC ± -	3 PLC ± .005	APVD	PRODUCT SPEC
4 PLC ± -	ANGLES ± -		APPLICATION SPEC
MATERIAL: HOUSING, FLAME RETARDANT THERMOPLASTIC, COLOR-BLACK, POSTS, PHOS BRONZE	FINISH: SEE TABLE	WEIGHT	SIZE: A1
			CAGE CODE: 00779
			DRAWING NO: 104319
			RESTRICTED TO
			CUSTOMER DRAWING
			SCALE: 4:1
			SHEET 1 OF 1
			REV H2