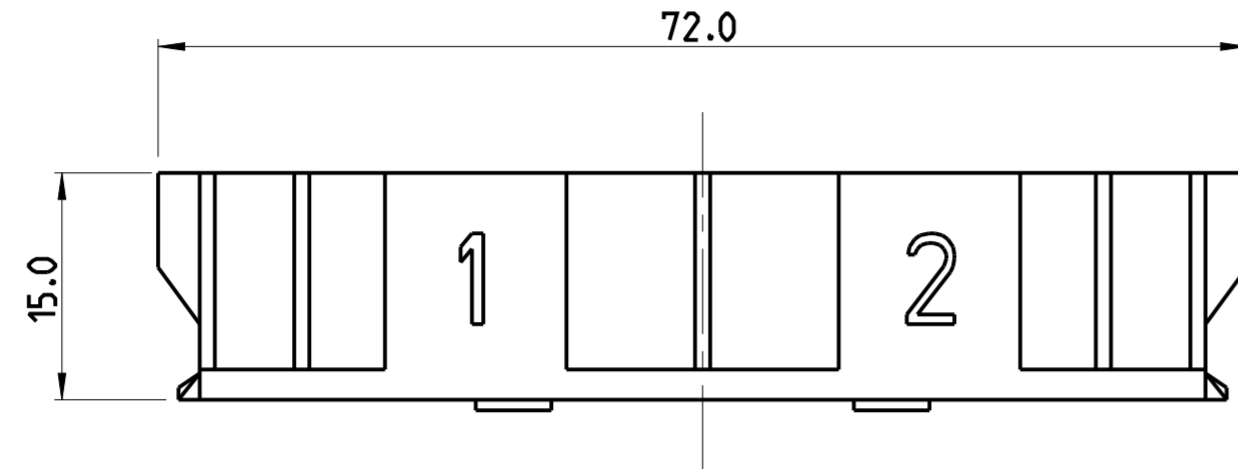
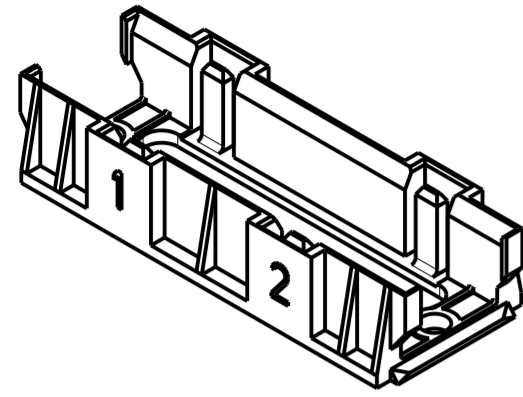


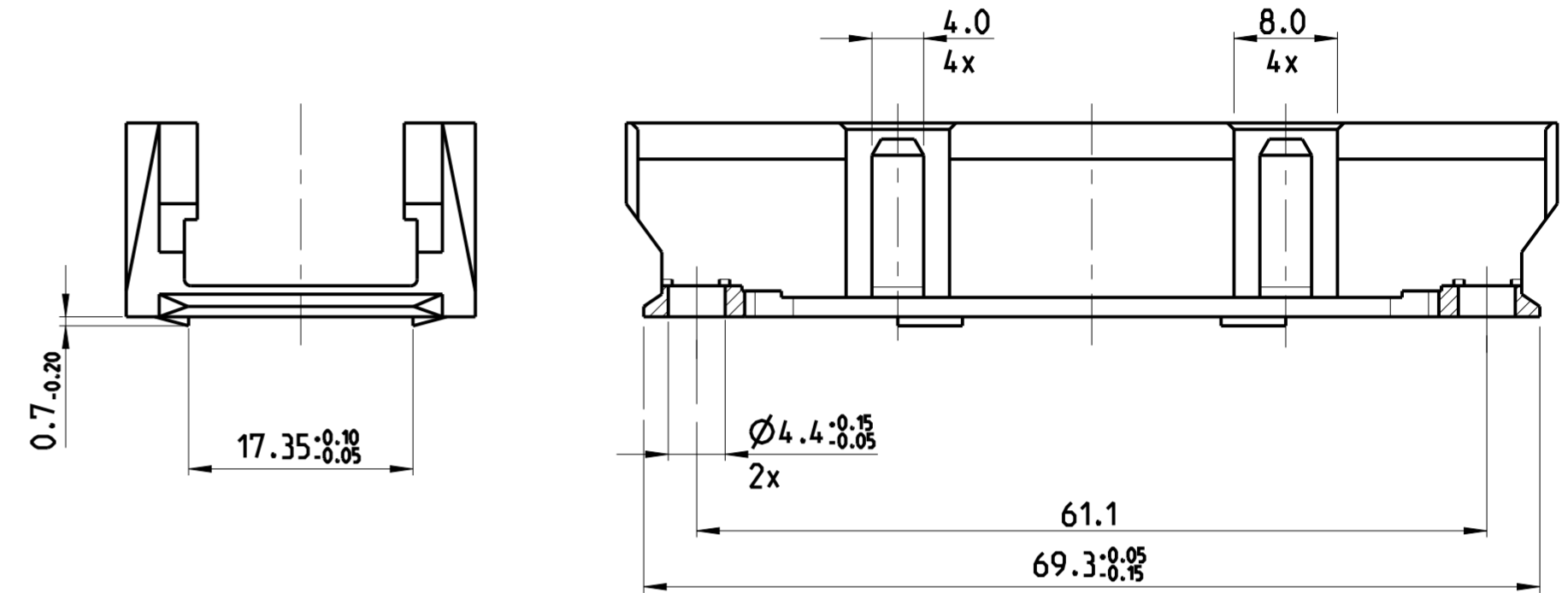
THIS DRAWING IS UNPUBLISHED. RELEASED FOR PUBLICATION 20  
 © COPYRIGHT 20 BY - ALL RIGHTS RESERVED.

REVISIONS				
P	LTR	DESCRIPTION	DATE	APVD
C		REDRAWN IN CAD CLARIFICATION	27NOV2014	JT YP

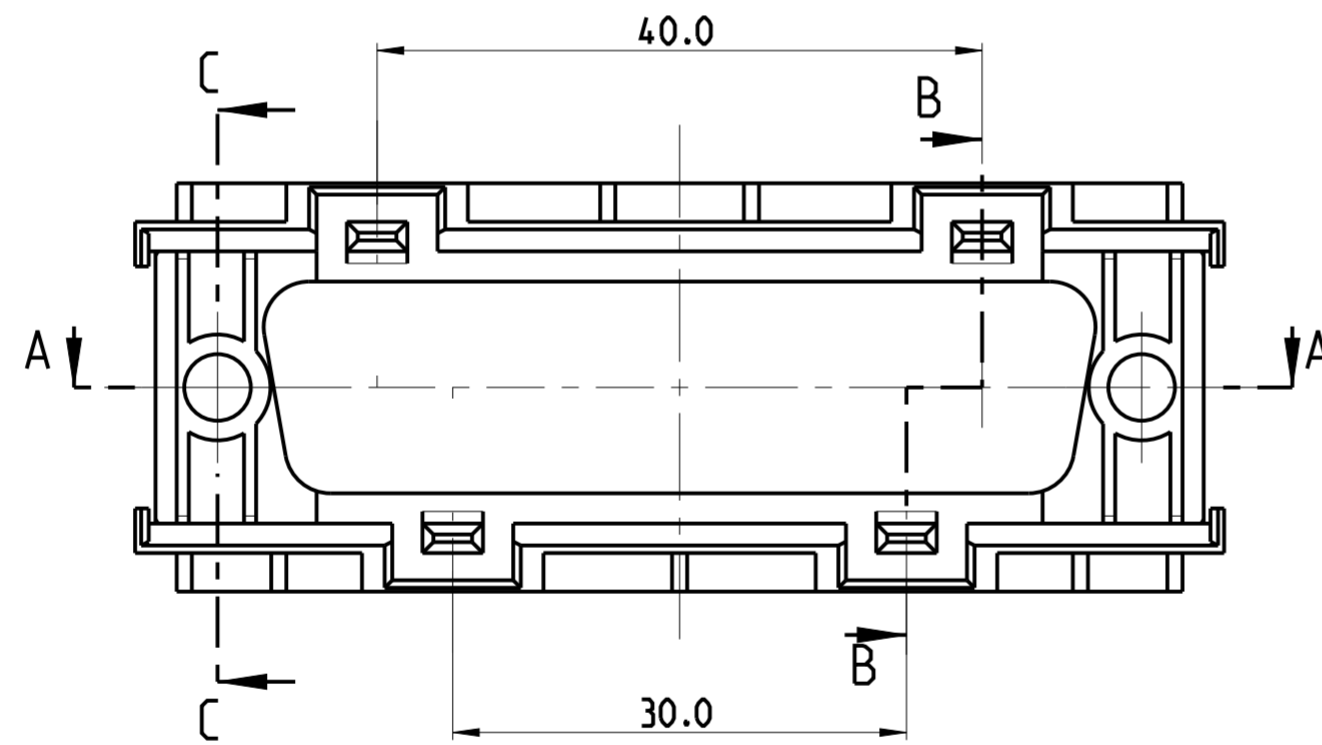
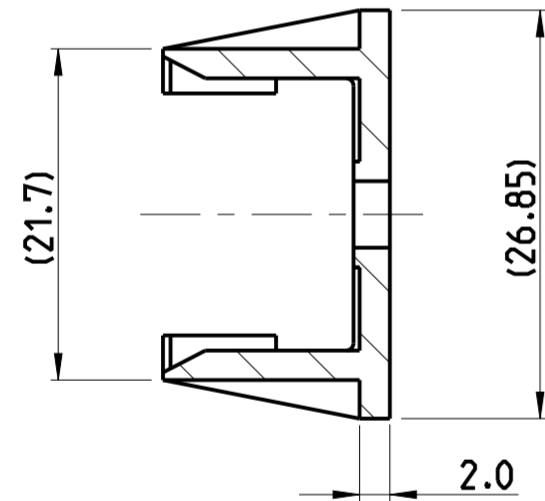
SCALE 1:1



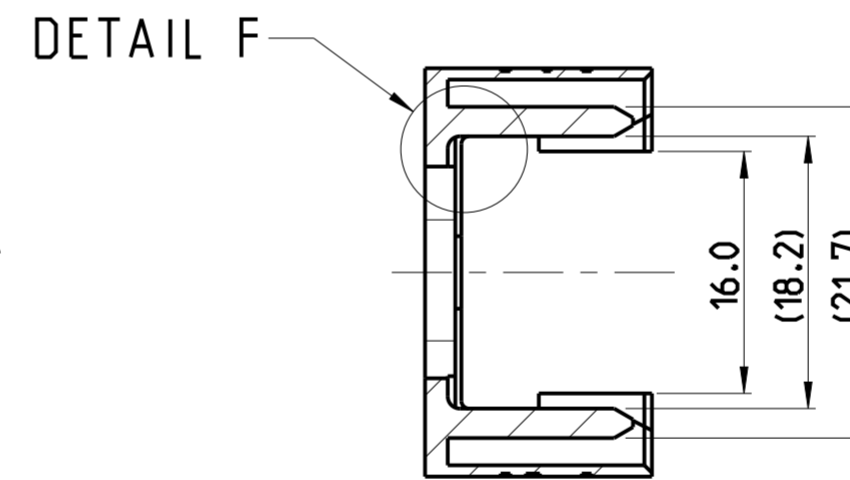
SECTION A-A



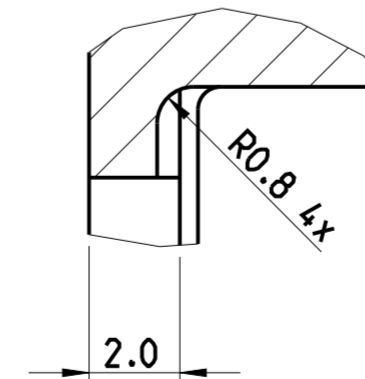
SECTION C-C



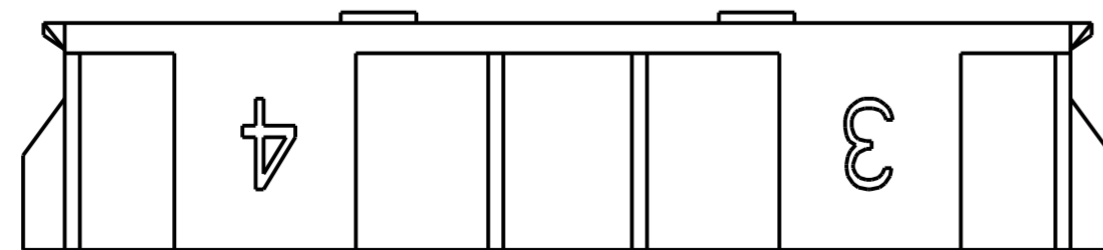
SECTION B-B



DETAIL F  
SCALE 6:1



1. MATERIAL : GLASS-FILLED PPS. DIC FZ-1140-D5. BLACK - SCHWARTZ
2. 25 PIECES PACKED IN PLASTIC BAG, PROVIDED WITH PART-NO.  
25 TEILE IN PLASTIKBEUTEL VERPACKT, MIT BESTELL-NR. VERSEHEN



928435-1  
PART NUMBER

THIS DRAWING IS A CONTROLLED DOCUMENT.		DWN J.THUEZ 25NOV2014	TE Connectivity	
DIMENSIONS: mm		CHK Y.PETRONIN 25NOV2014		
TOLERANCES UNLESS OTHERWISE SPECIFIED:		APVD Y.PETRONIN 25NOV2014	NAME KEYING FRAME FOR AMPLIMITE HD-SERIES - SIZE 5	
0 PLC ±0.2		PRODUCT SPEC	SIZE CAGE CODE DRAWING NO RESTRICTED TO	
1 PLC ±0.2		108-18048	A2 - C-928435	
2 PLC ±		APPLICATION SPEC	SCALE SHEET 1 OF 1 REV C	
3 PLC ±		114-18047		
4 PLC ±		WEIGHT 9g		
ANGLES ±1°		Customer Drawing		
FINISH -				
MATERIAL SEE NOTE				