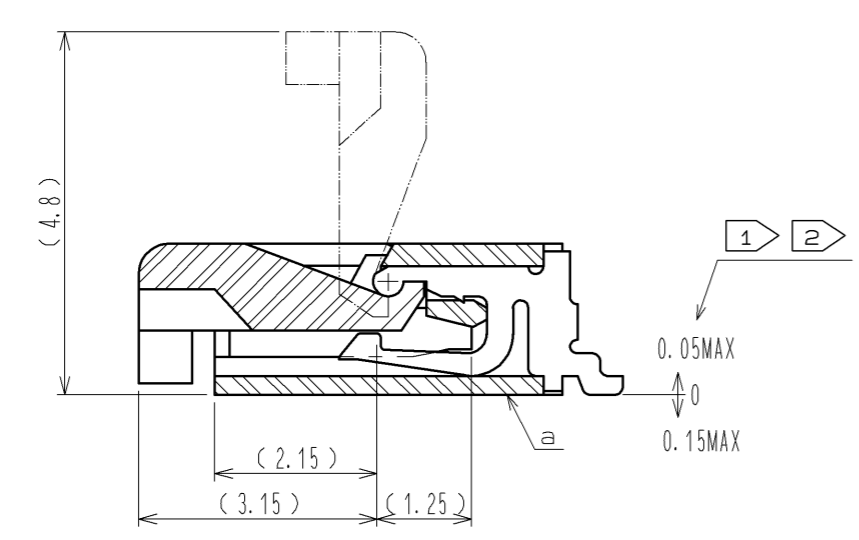
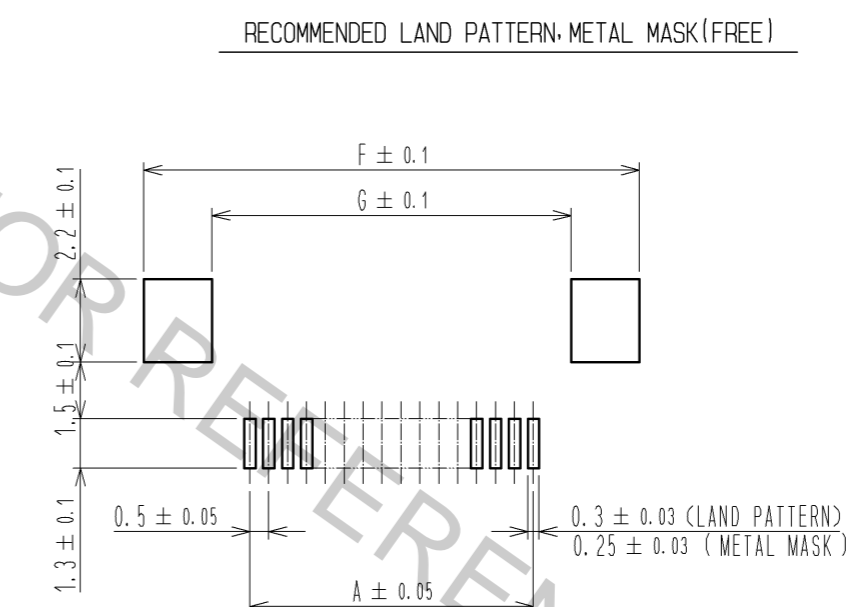
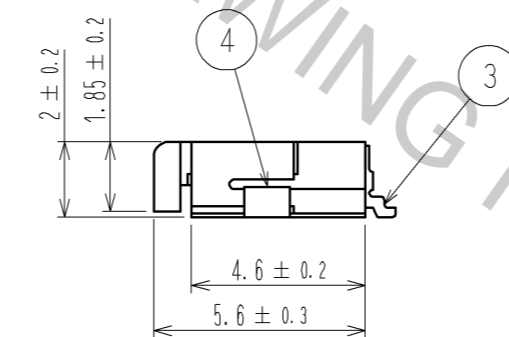
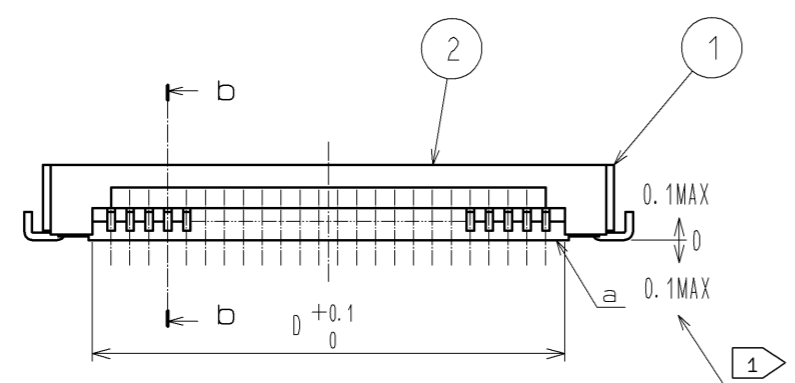
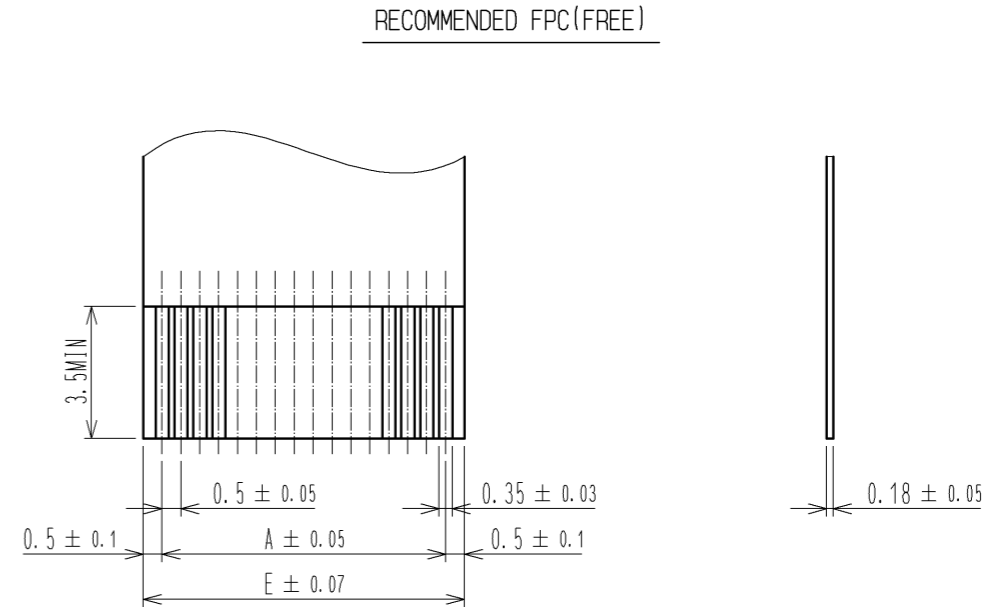
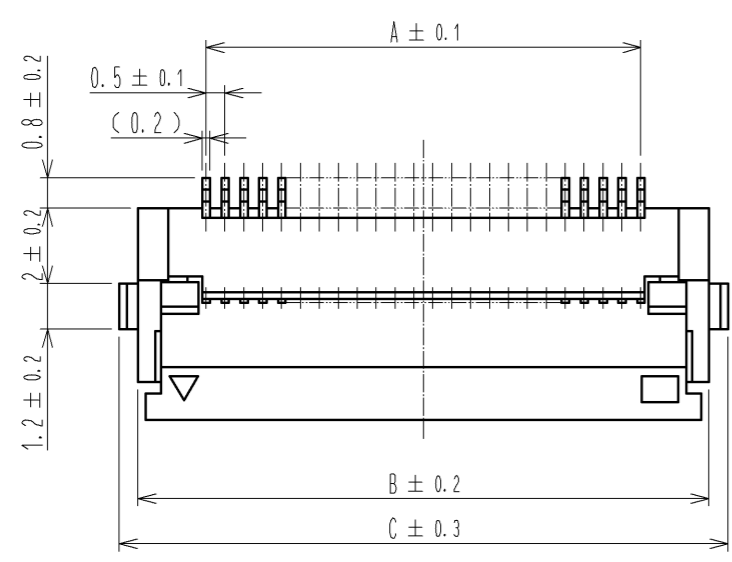


May.1.2017 Copyright 2017 HIROSE ELECTRIC CO., LTD. All Rights Reserved.



RECOMMENDED METAL MASK THICKNESS: t=0.15

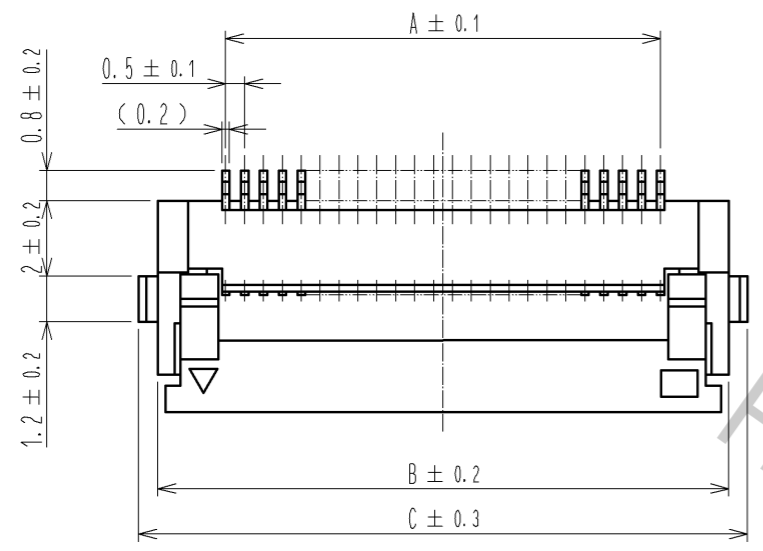
<34 CONTACTS OR LESS>

| 4 | BRASS | TIN PLATING 1μm MIN-OVER NICKEL 1μm MIN. | 8 | (CONNECTOR) | ⚠ |
|-----|-----------------|--|-----|-------------|------------------|
| 3 | PHOSPHOR BRONZE | GOLD PLATING FLASH-OVER NICKEL 1μm MIN. | 7 | POLYSTYRENE | ⚠ |
| 2 | PPS | (DEEP BROWN) UL94V-0 | 6 | POLYESTER | ⚠ |
| 1 | POLYAMIDE | (BEIGE) UL94V-0 | 5 | POLYSTYRENE | ⚠ |
| NO. | MATERIAL | FINISH . REMARKS | NO. | MATERIAL | FINISH . REMARKS |

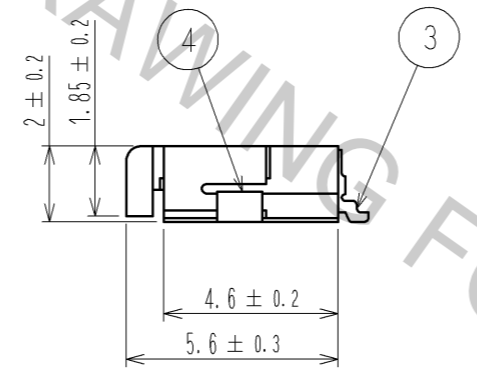
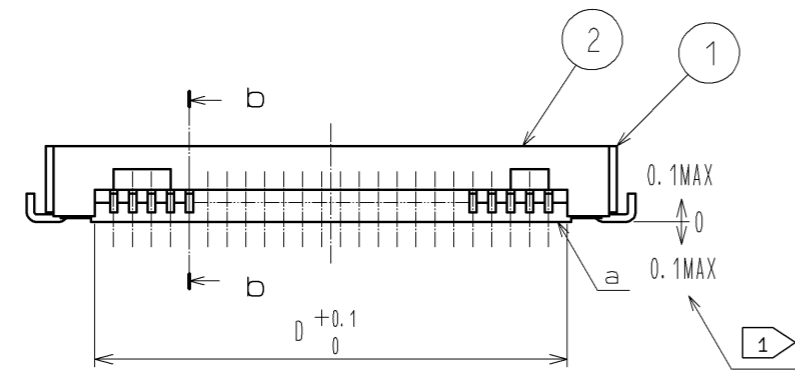
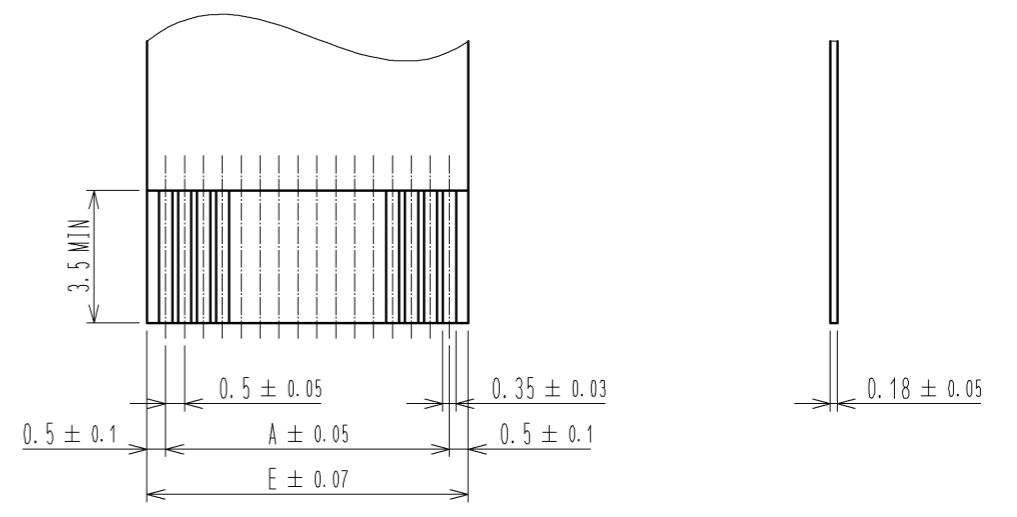
- 注 ① REFERENCE IS a.
 ② LEAD CO-PLANARITY SHALL BE 0.1 MAX.
 ③ SEE DIMENSION TABLE IN THE APPENDIX.

| UNITS | SCALE | COUNT | DESCRIPTION OF REVISIONS | DESIGNED | CHECKED | DATE |
|---------------------------------|-------|-------|-----------------------------|------------|--------------|----------|
| mm | 5 : 1 | 15 | DIS-F-002629 | MK. YASUMI | HS. SAKAMOTO | 07.12.25 |
| APPROVED : MO. ISHIDA 05.01.05 | | | DRAWING NO. EDC3-152792-51 | | | |
| CHECKED : RI. TAKAYASU 05.01.05 | | | PART NO. FH12F-*S-0.5SH(55) | | | |
| DESIGNED : TH. MURAI 05.01.05 | | | CODE NO. CL586 | | | |
| DRAWN : TH. MURAI 05.01.05 | | | | | | |

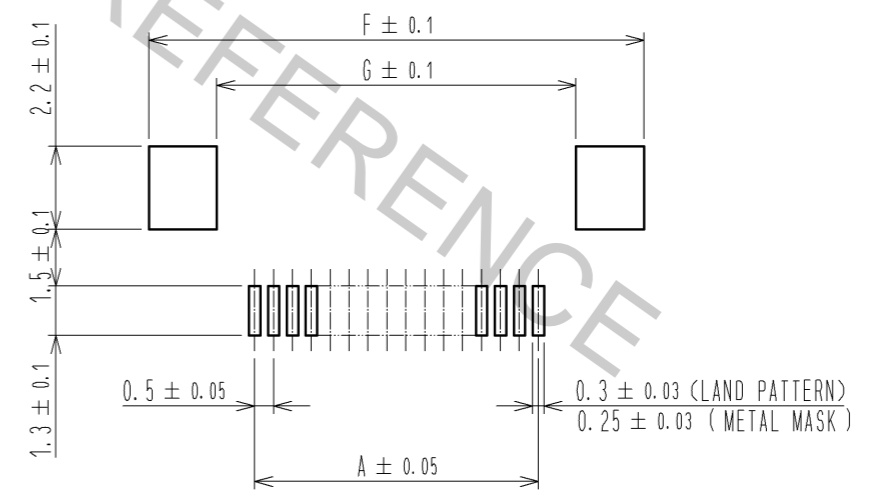
May.1.2017 Copyright 2017 HIROSE ELECTRIC CO., LTD. All Rights Reserved.



RECOMMENDED FPC(FREE)

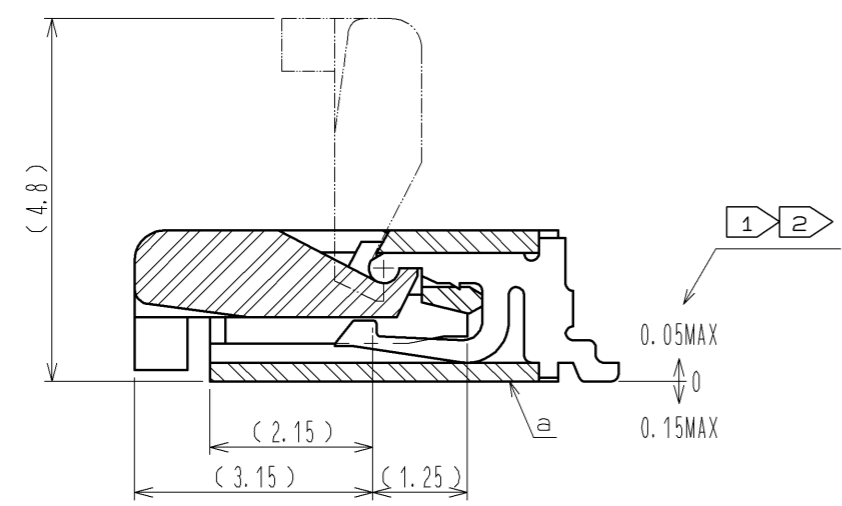


RECOMMENDED LAND PATTERN, METAL MASK(FREE)



RECOMMENDED METAL MASK THICKNESS: t=0.15

b-b (10:1)



- 注 1 REFERENCE IS a.
 2 LEAD CO-PLANARITY SHALL BE 0.1 MAX.
 3 SEE DIMENSION TABLE IN THE APPENDIX.

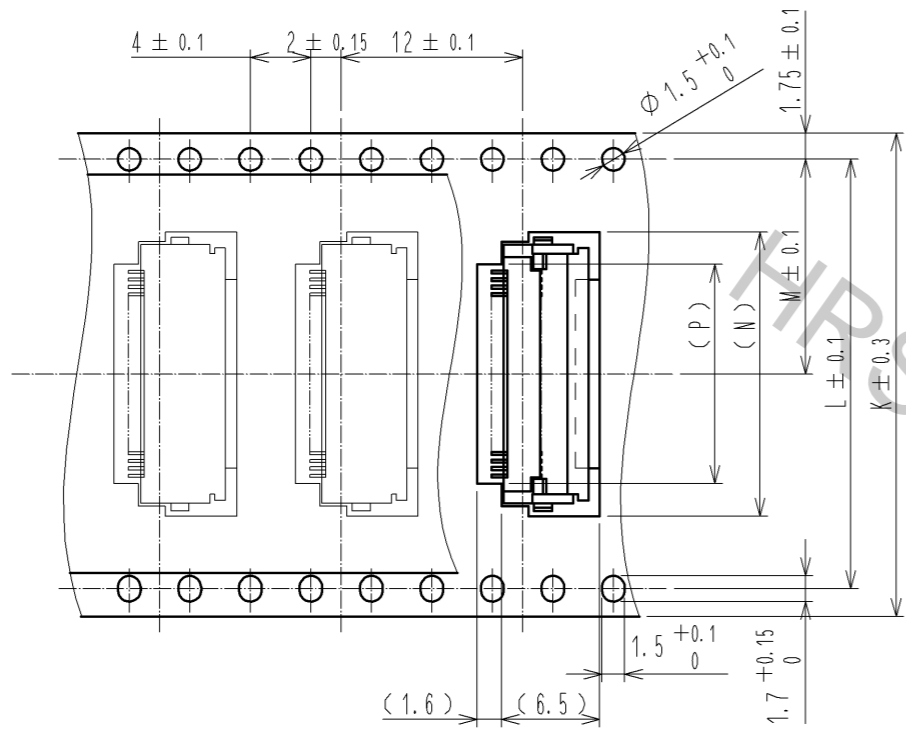
<36 CONTACTS OR MORE>

| | | |
|------------|-------------|--------------------|
| HRS | DRAWING NO. | EDC3-152792-51 |
| | PART NO. | FH12F-*S-0.5SH(55) |
| | CODE NO. | CL586 |
| | | 1/2/4 |

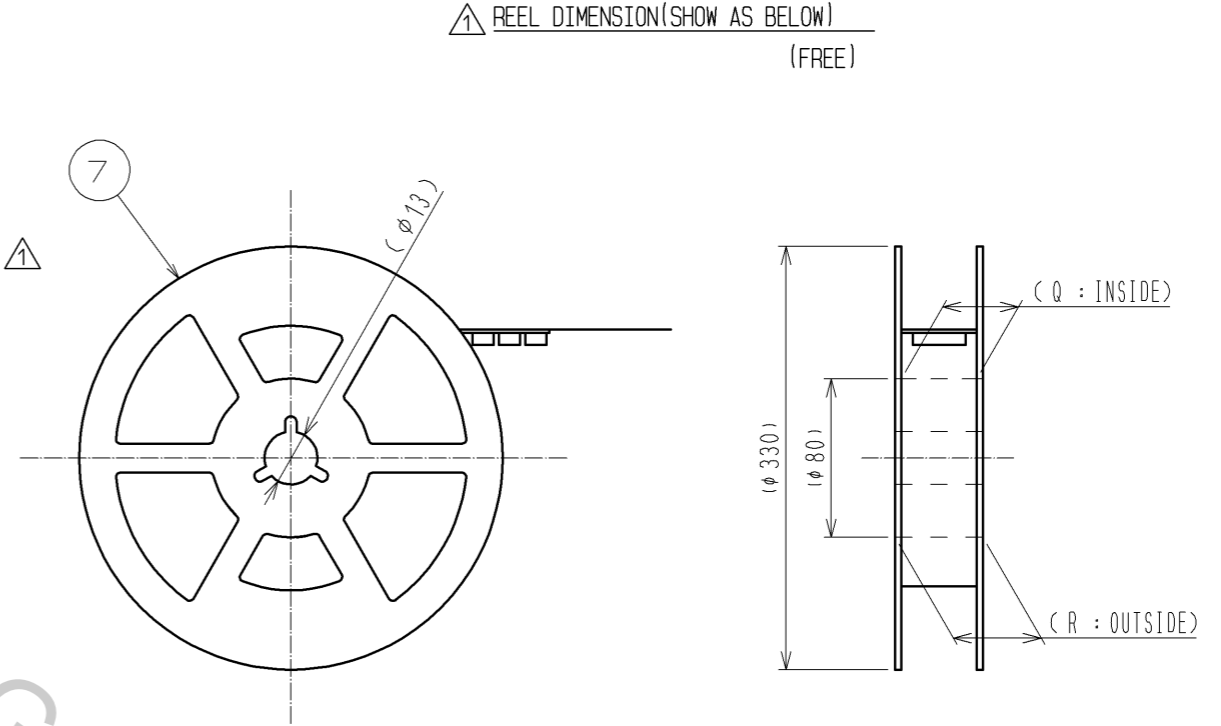
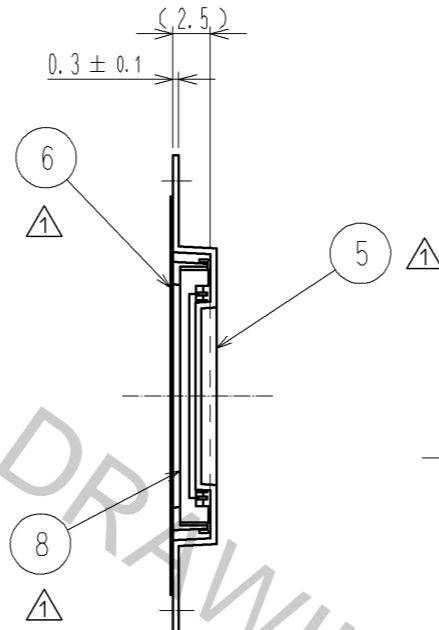
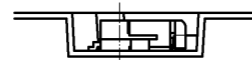
May.1.2017 Copyright 2017 HIROSE ELECTRIC CO., LTD. All Rights Reserved.

EMBOSSED CARRIER TAPE DIMENSION(2:1)

TAPE WIDTH : 32mm MIN

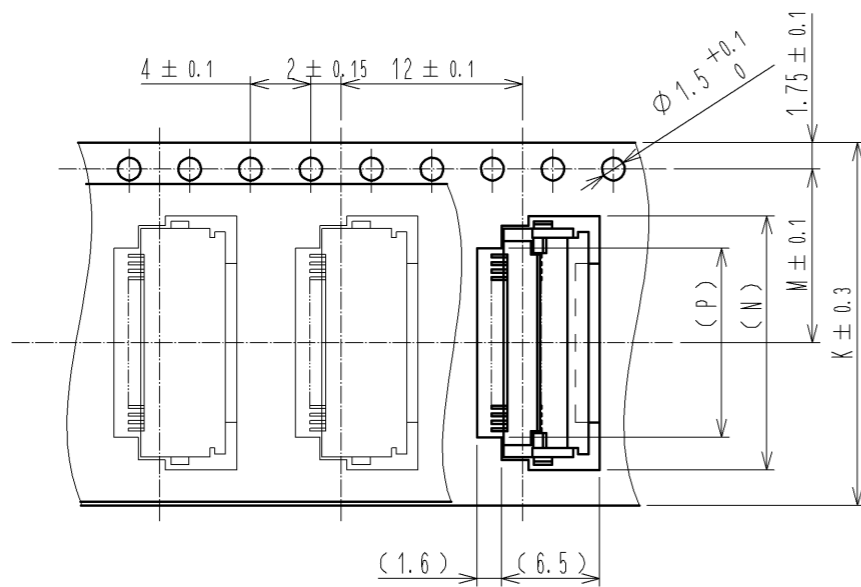


DIRECTION OF UNREELING

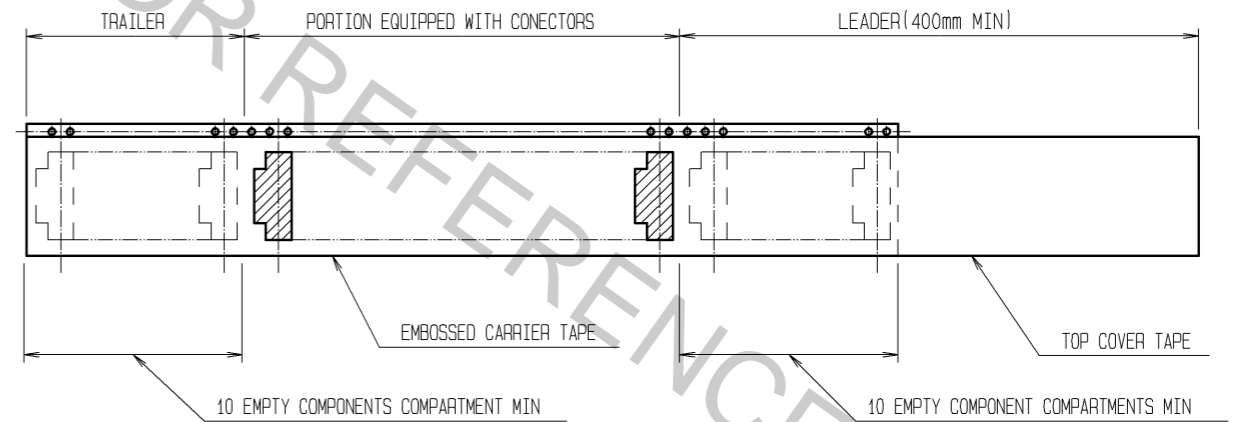
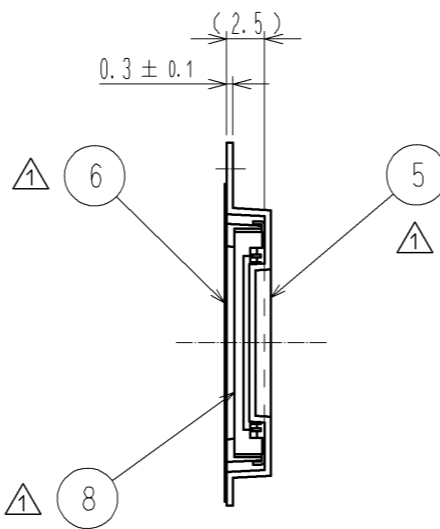
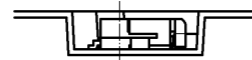


REEL DIMENSION(SHOW AS BELOW)
(FREE)

TAPE WIDTH : 24mm MAX



DIRECTION OF UNREELING



- NOTE 4 THE DIMENSION IN PARENTHESES ARE FOR REFERENCE.
 5 1 REEL : 2000 CONNECTORS.
 6 SEE DIMENSION TABLE IN THE APPENDIX.

DRAWING FOR PACKING

| | | |
|------------|-------------|--------------------|
| HRS | DRAWING NO. | EDC3-152792-51 |
| | PART NO. | FH12F-*S-0.5SH(55) |
| | CODE NO. | CL586 |
| | | 3/4 |

May.1.2017 Copyright 2017 HIROSE ELECTRIC CO., LTD. All Rights Reserved.

DIMENSION TABLE OF CONNECTOR, FPC, FFC, LAND PATTERN AND METAL MASK

| PART NO. | CODE NO. | * | A | B | C | D | E | F | G |
|---------------------|-----------------|----|------|------|------|-------|------|------|------|
| FH12F- 6S-0.5SH(55) | CL586-0672-6-55 | 6 | 2.5 | 6.1 | 7.1 | 3.57 | 3.5 | 8.1 | 4.5 |
| FH12F- 8S-0.5SH(55) | CL586-0738-2-55 | 8 | 3.5 | 7.1 | 8.1 | 4.57 | 4.5 | 9.1 | 5.5 |
| FH12F-10S-0.5SH(55) | CL586-0709-4-55 | 10 | 4.5 | 8.1 | 9.1 | 5.57 | 5.5 | 10.1 | 6.5 |
| FH12F-12S-0.5SH(55) | CL586-0653-1-55 | 12 | 5.5 | 9.1 | 10.1 | 6.57 | 6.5 | 11.1 | 7.5 |
| FH12F-13S-0.5SH(55) | CL586-0629-7-55 | 13 | 6 | 9.6 | 10.6 | 7.07 | 7 | 11.6 | 8 |
| FH12F-14S-0.5SH(55) | CL586-0655-7-55 | 14 | 6.5 | 10.1 | 11.1 | 7.57 | 7.5 | 12.1 | 8.5 |
| FH12F-15S-0.5SH(55) | CL586-0680-4-55 | 15 | 7 | 10.6 | 11.6 | 8.07 | 8 | 12.6 | 9 |
| FH12F-16S-0.5SH(55) | CL586-0673-9-55 | 16 | 7.5 | 11.1 | 12.1 | 8.57 | 8.5 | 13.1 | 9.5 |
| FH12F-18S-0.5SH(55) | CL586-0626-9-55 | 18 | 8.5 | 12.1 | 13.1 | 9.57 | 9.5 | 14.1 | 10.5 |
| FH12F-20S-0.5SH(55) | CL586-0636-2-55 | 20 | 9.5 | 13.1 | 14.1 | 10.57 | 10.5 | 15.1 | 11.5 |
| FH12F-22S-0.5SH(55) | CL586-0630-6-55 | 22 | 10.5 | 14.1 | 15.1 | 11.57 | 11.5 | 16.1 | 12.5 |
| FH12F-24S-0.5SH(55) | CL586-0632-1-55 | 24 | 11.5 | 15.1 | 16.1 | 12.57 | 12.5 | 17.1 | 13.5 |
| FH12F-25S-0.5SH(55) | CL586-0733-9-55 | 25 | 12 | 15.6 | 16.6 | 13.07 | 13 | 17.6 | 14 |
| FH12F-26S-0.5SH(55) | CL586-0627-1-55 | 26 | 12.5 | 16.1 | 17.1 | 13.57 | 13.5 | 18.1 | 14.5 |
| FH12F-28S-0.5SH(55) | CL586-0643-8-55 | 28 | 13.5 | 17.1 | 18.1 | 14.57 | 14.5 | 19.1 | 15.5 |
| FH12F-30S-0.5SH(55) | CL586-0628-4-55 | 30 | 14.5 | 18.1 | 19.1 | 15.57 | 15.5 | 20.1 | 16.5 |
| FH12F-32S-0.5SH(55) | CL586-0705-3-55 | 32 | 15.5 | 19.1 | 20.1 | 16.57 | 16.5 | 21.1 | 17.5 |
| FH12F-34S-0.5SH(55) | CL586-0677-0-55 | 34 | 16.5 | 20.1 | 21.1 | 17.57 | 17.5 | 22.1 | 18.5 |
| FH12F-36S-0.5SH(55) | CL586-0656-0-55 | 36 | 17.5 | 21.1 | 22.1 | 18.57 | 18.5 | 23.1 | 19.5 |
| FH12F-40S-0.5SH(55) | CL586-0635-0-55 | 40 | 19.5 | 23.1 | 24.1 | 20.57 | 20.5 | 25.1 | 21.5 |

DIMENSION TABLE OF DRAWING FOR PACKING

| PART NO. | CODE NO. | * | K | L | M | N | P | Q | R |
|---------------------|-----------------|----|----|------|------|------|------|------|------|
| FH12F- 6S-0.5SH(55) | CL586-0672-6-55 | 6 | 16 | — | 7.5 | 7.8 | 3.5 | 17.4 | 21.4 |
| FH12F- 8S-0.5SH(55) | CL586-0738-2-55 | 8 | 16 | — | 7.5 | 8.8 | 4.5 | 17.4 | 21.4 |
| FH12F-10S-0.5SH(55) | CL586-0709-4-55 | 10 | 16 | — | 7.5 | 9.8 | 5.5 | 17.4 | 21.4 |
| FH12F-12S-0.5SH(55) | CL586-0653-1-55 | 12 | 24 | — | 11.5 | 10.8 | 6.5 | 25.4 | 29.4 |
| FH12F-13S-0.5SH(55) | CL586-0629-7-55 | 13 | 24 | — | 11.5 | 11.3 | 7 | 25.4 | 29.4 |
| FH12F-14S-0.5SH(55) | CL586-0655-7-55 | 14 | 24 | — | 11.5 | 11.8 | 7.5 | 25.4 | 29.4 |
| FH12F-15S-0.5SH(55) | CL586-0680-4-55 | 15 | 24 | — | 11.5 | 12.3 | 8 | 25.4 | 29.4 |
| FH12F-16S-0.5SH(55) | CL586-0673-9-55 | 16 | 24 | — | 11.5 | 12.8 | 8.5 | 25.4 | 29.4 |
| FH12F-18S-0.5SH(55) | CL586-0626-9-55 | 18 | 24 | — | 11.5 | 13.8 | 9.5 | 25.4 | 29.4 |
| FH12F-20S-0.5SH(55) | CL586-0636-2-55 | 20 | 24 | — | 11.5 | 14.8 | 10.5 | 25.4 | 29.4 |
| FH12F-22S-0.5SH(55) | CL586-0630-6-55 | 22 | 24 | — | 11.5 | 15.8 | 11.5 | 25.4 | 29.4 |
| FH12F-24S-0.5SH(55) | CL586-0632-1-55 | 24 | 24 | — | 11.5 | 16.8 | 12.5 | 25.4 | 29.4 |
| FH12F-25S-0.5SH(55) | CL586-0733-9-55 | 25 | 24 | — | 11.5 | 17.3 | 13.0 | 25.4 | 29.4 |
| FH12F-26S-0.5SH(55) | CL586-0627-1-55 | 26 | 24 | — | 11.5 | 17.8 | 13.5 | 25.4 | 29.4 |
| FH12F-28S-0.5SH(55) | CL586-0643-8-55 | 28 | 32 | 28.4 | 14.2 | 18.8 | 14.5 | 33.4 | 37.4 |
| FH12F-30S-0.5SH(55) | CL586-0628-4-55 | 30 | 32 | 28.4 | 14.2 | 19.8 | 15.5 | 33.4 | 37.4 |
| FH12F-32S-0.5SH(55) | CL586-0705-3-55 | 32 | 32 | 28.4 | 14.2 | 20.8 | 16.5 | 33.4 | 37.4 |
| FH12F-34S-0.5SH(55) | CL586-0677-0-55 | 34 | 32 | 28.4 | 14.2 | 21.8 | 17.5 | 33.4 | 37.4 |
| FH12F-36S-0.5SH(55) | CL586-0656-0-55 | 36 | 44 | 40.4 | 20.2 | 22.8 | 18.5 | 45.4 | 49.4 |
| FH12F-40S-0.5SH(55) | CL586-0635-0-55 | 40 | 44 | 40.4 | 20.2 | 24.8 | 20.5 | 45.4 | 49.4 |

* : NUMBER OF CONTACTS

| | | |
|------------|-------------|--------------------|
| HRS | DRAWING NO. | EDC3-152792-51 |
| | PART NO. | FH12F-*S-0.5SH(55) |
| | CODE NO. | CL586 |
| | | 4/4 |