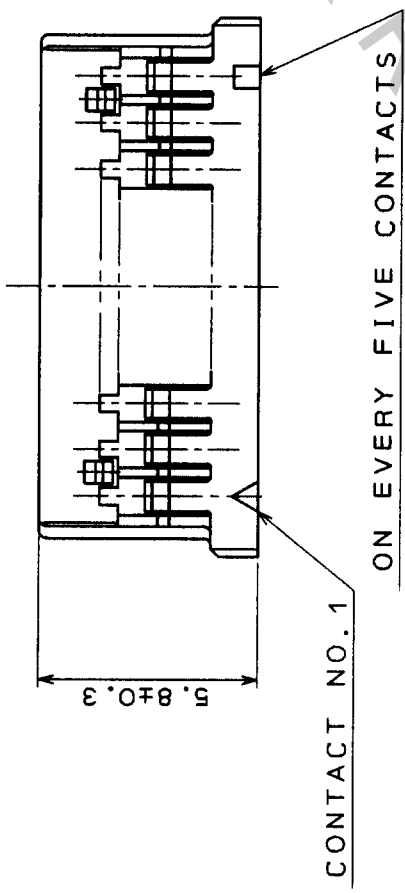
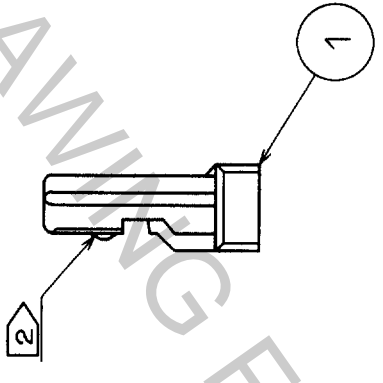
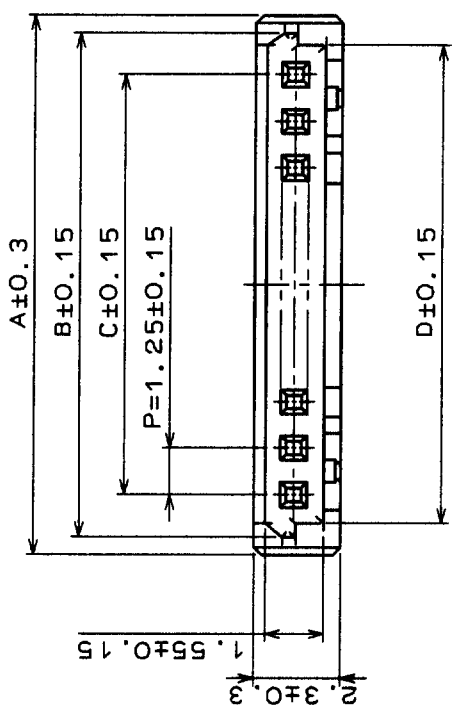
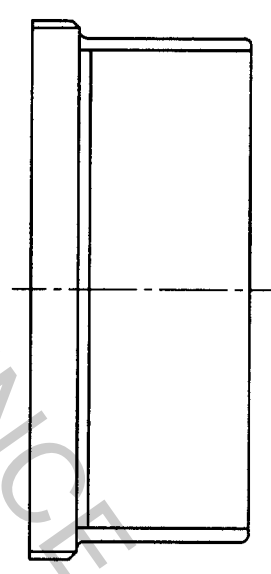


| COUNT | DESCRIPTION OF REVISIONS | BY | CHKD | DATE | COUNT | DESCRIPTION OF REVISIONS | BY | CHKD | DATE |
|-------|--------------------------|-----|------|-------|-------|--------------------------|----|------|------|
| 3 | RE-H-1716 | I.T | T.O | 9.2.8 | | | | | |
| | | | | | | | | | |
| | | | | | | | | | |



CAVITY . NO.



| PARTS NO. | HRS NO. | CONTACTS | A | B | C | D |
|----------------|--------------|----------|-------|-------|-------|-------|
| DF14-2S-1.25C | CL538-0005-8 | 2 | 4.45 | 3.49 | 1.25 | 2.85 |
| DF14-3S-1.25C | CL538-0006-0 | 3 | 5.7 | 4.74 | 2.5 | 4.1 |
| DF14-4S-1.25C | CL538-0007-3 | 4 | 6.95 | 5.99 | 3.75 | 5.35 |
| DF14-5S-1.25C | CL538-0008-6 | 5 | 8.2 | 7.24 | 5 | 6.6 |
| DF14-6S-1.25C | CL538-0009-9 | 6 | 9.45 | 8.49 | 6.25 | 7.85 |
| DF14-7S-1.25C | CL538-0010-8 | 7 | 10.7 | 9.74 | 7.5 | 9.1 |
| DF14-8S-1.25C | CL538-0011-0 | 8 | 11.95 | 10.99 | 8.75 | 10.35 |
| DF14-9S-1.25C | CL538-0013-6 | 9 | 13.2 | 12.24 | 10 | 11.6 |
| DF14-10S-1.25C | CL538-0014-9 | 10 | 14.45 | 13.49 | 11.25 | 12.85 |
| DF14-15S-1.25C | CL538-0054-3 | 15 | 20.7 | 19.74 | 17.5 | 19.1 |
| DF14-20S-1.25C | CL538-0059-7 | 20 | 26.95 | 25.99 | 23.75 | 25.35 |
| DF14-25S-1.25C | CL538-0064-7 | 25 | 33.2 | 32.24 | 30 | 31.6 |
| DF14-30S-1.25C | CL538-0012-3 | 30 | 39.45 | 38.49 | 36.25 | 37.85 |

NOTES
 1 100 CONTACTORS ARE IN ONE PACK
 2 2 CONTACT CONNECTOR HAVE ONE LOCK AT CENTER OF HOUSING.

TO

| | | | | | |
|-------------------------------|----------|-----------------|---|-------------|-----------------|
| NO. | MATERIAL | FINISH, REMARKS | NO. | MATERIAL | FINISH, REMARKS |
| CODE NO. (OLD) | | | DESIGNED | CHECKED | APPROVED |
| | | | H. IGARASHI | M. NAKAMURA | M. YAMAMOTO |
| | | | 95 412 | 95 412 | 95 412 |
| DRAWING NO. EDC3-160306-01 | | | PART NO. DF14-*S-1.25C | | |
| SCALE 5 : 1 | | | CODE NO. CODE NO. SHALL BE IN ACCORDANCE WITH TABLE | | |
| UNITS m m | | | FORM No. 229 | | |