

NOTES:

- THIS BOXMOUNT RECEPTACLE MATES WITH AN MTC PLUG CONNECTOR CONTAINING SOCKET INSERT MTCP-116-05S1. REFER TO APPLICABLE RAYCHEM SPECIFICATION CONTROL DRAWING FOR DETAIL.
- FOR KEYING INFORMATION SEE RAYCHEM SPECIFICATION CONTROL DRAWING D-659-0080.
- THESE ITEMS ARE SUPPLIED UNASSEMBLED
- DIMENSION SHOWN IS FOR MATED PLUG CONNECTOR. SEE TABLE I .
- THIS CONNECTOR MEETS THE APPLICABLE REQUIREMENTS OF RAYCHEM SPECIFICATION C-6115.
- REFER TO RAYCHEM INFORMATION DRAWING D-659-0097 FOR APPLICATION DETAILS AND APPLICABLE CONTACTS.
- THIS BOXMOUNT RECEPTACLE IS REAR PANEL MOUNTED BY REMOVING AS MANY PANEL WASHERS AS REQUIRED TO ACCOMMODATE THE THICKNESS OF THE PANEL BEING USED. SEE TABLE II .
- MOUNTING TORQUE TO BE 14-16 INCH POUNDS.

WEIGHT (WITHOUT CONTACTS):.0464 LBS. [21,047gr.] MAX.

"Raychem", P/N, DATE CODE AND LETTER "A" ARE STAMPED APPROXIMATELY AS SHOWN.

PART NUMBER VARIABLES:
MTCB-BX1-PX4

- 2 = Ni. Plate
- 3 = Cad. over N. Plate

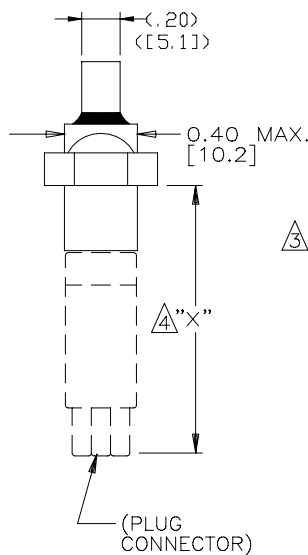
F = FLANGED WITH STD. FLUOROSILICONE FLANGE GASKET
S = FLANGE WITH CONDUCTIVE FLANGE GASKET.

TABLE I

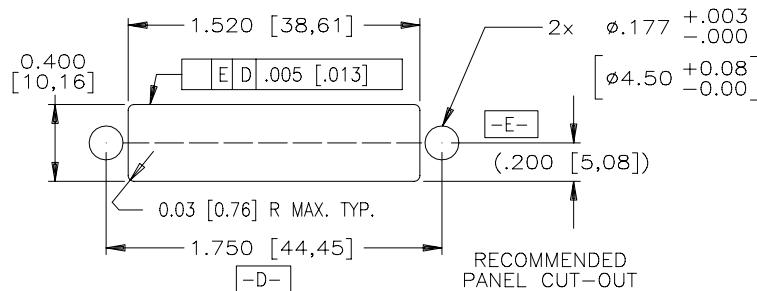
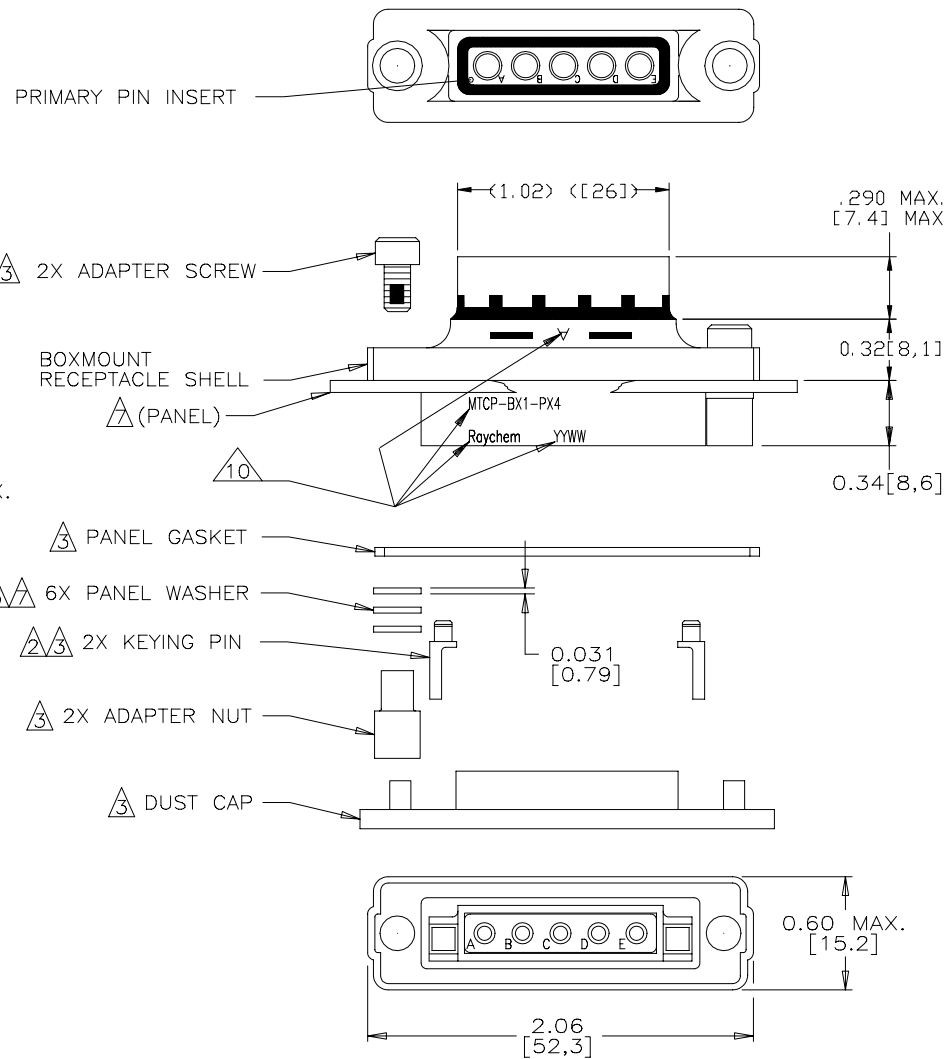
DIMENSION "X"	
DESCRIPTION	MAX LENGTH
STANDARD PLUG	1.50 [38.1]
PLUG WITH EME BACKSHELL (FCC)	2.04 [51.8]
PLUG WITH EME BACKSHELL (RW)	2.93 [74.4]

TABLE II

PANEL THICKNESS	NUMBER OF PANEL WASHERS FOR EACH FASTENER
0.062/0.067 [1.6]/[1.7]	1
0.093/0.097 [2.4]/[2.5]	0



REVISIONS			
LTR	DESCRIPTION	DATE	APPROVED
A	REVISED PER ECN T-12675	89 MAR 8	J.BLAIR
B	REVISED PER DCR# T-23017	7/2/99	M.HIGGY



SPECIFICATION CONTROL DRAWING (If this document is printed it becomes uncontrolled. Check with the web for latest revision.)

UNLESS OTHERWISE SPECIFIED DIMENSIONS ARE IN INCHES. METRIC DIMENSIONS ARE IN BRACKETS. DECIMALS .XXX ±.005 { .13 mm } .XX ±.02 { .5 mm } ANGLES .X ± ____ WEIGHT: see note 9	DRAWN	LUTTICKEN	88MAR04	Raychem RAYCHEM CORPORATION 300 CONSTITUTION DRIVE MENLO PARK, CALIFORNIA 94025			
	CHECKED						
	APPROVED	J.BLAIR	88 MAR 08	TITLE CONNECTOR, RECEPTACLE, 1", BOXMOUNT RESTRICTOR FLANGED (WITH PIN INSERT) MTCB SERIES			
	APPROVED	J.CAMERON	99 MAR 16				
	CAD NAME	T23017.DWG		SIZE	CODE IDENT. NO.	DWG. NO.	REV
	THIRD ANGLE PROJECTION			C	06090	MTCP-BX1-PX4	B
				DO NOT SCALE THIS DRAWING		SHEET 1 OF 1	