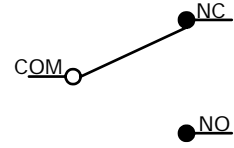


ISOMETRIC

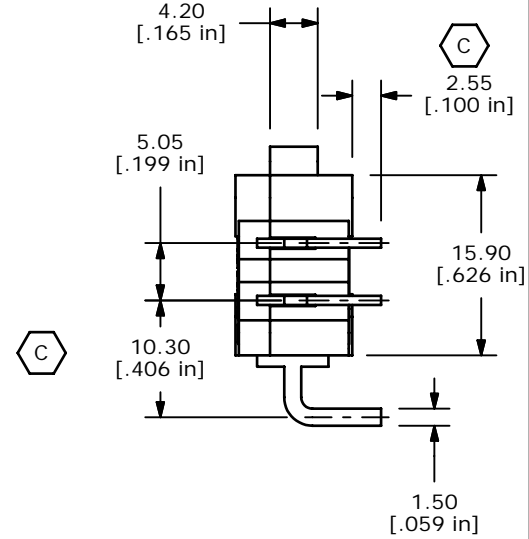
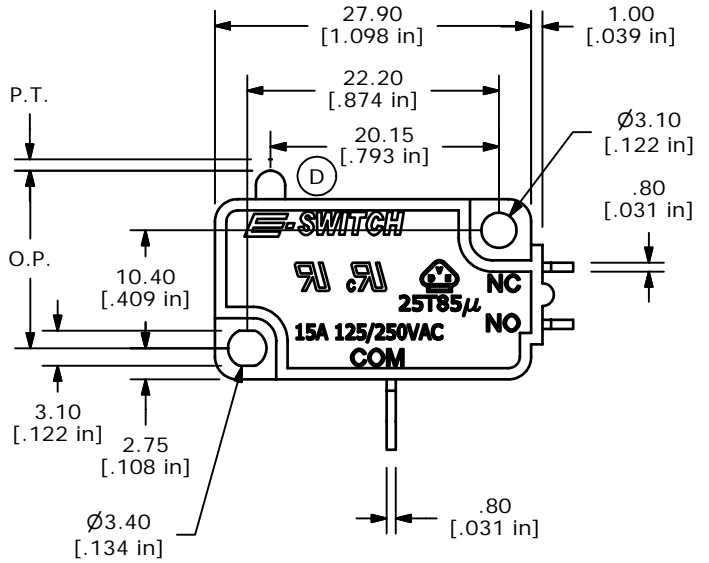
C P.C. MOUNTING

O.P. (MM)	P.T. (MM)
14.7 ± 0.5	2.0 MAX.

O.P. = OPERATING POINT
 P.T. = PRE-TRAVEL



- NOTES: **CIRCUIT: SPDT**
- ALL DIMENSIONS IN MM [INCH]
 - GENERAL TOLERANCE: X.X = ± 0.4
X.XX = ± 0.25
 - RATING: 15A @125/250VAC UL, CUL, VDE APPROVED
 - OPERATING FORCE: 160 ± 40 GRAMS
 - OPERATING TEMP: -25°C TO 85°C
 - ELECTRICAL LIFE: 50,000 CYCLES MIN.
 - MECHANICAL LIFE: 1,000,000 CYCLES TYP. **D**
 - INSULATION RESISTANCE: 100 MEGA-OHMS MIN.
 - DIELECTRIC STRENGTH: 1500VAC 1 MINUTE (INITIAL VALUE)
 - CONTACT RESISTANCE: 100 MILLI -OHMS MAX.
 - ▲** DENOTES CRITICAL PARAMETER.
 - 2002/95/EC (ROHS) COMPLIANT **D**



REV	PCR NO	DESCRIPTION	DATE	BY
D	15614	CHANGES NOTED	12/19/05	PH
C	15058	FIXED MODEL, ADDED PC LAYOUT	7/5/05	JB
B	14969	CHANGED MODEL AND DIMENSIONS	6/2/05	JB
A	14967	RELEASED FOR PRODUCTION	5/31/05	JB



TITLE LS0851500F160V1A				
SCALE	DATE	DR	DWG	REV
1.5:1	5/31/2005	JB	Q950008	D

THE INFORMATION CONTAINED IN THIS DOCUMENT IS PROPRIETARY TO E-SWITCH AND IS NOT TO BE COPIED OR TRANSFERRED