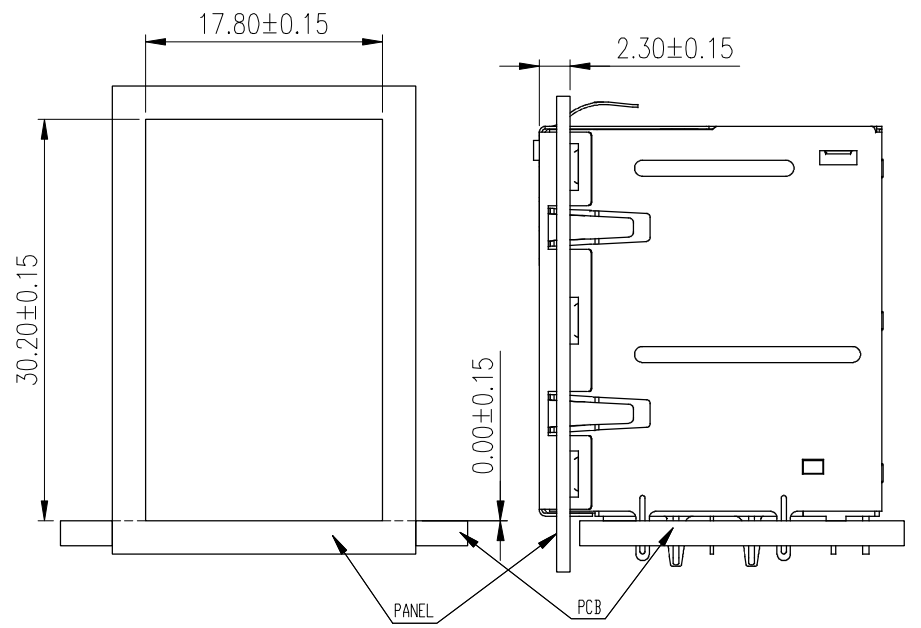
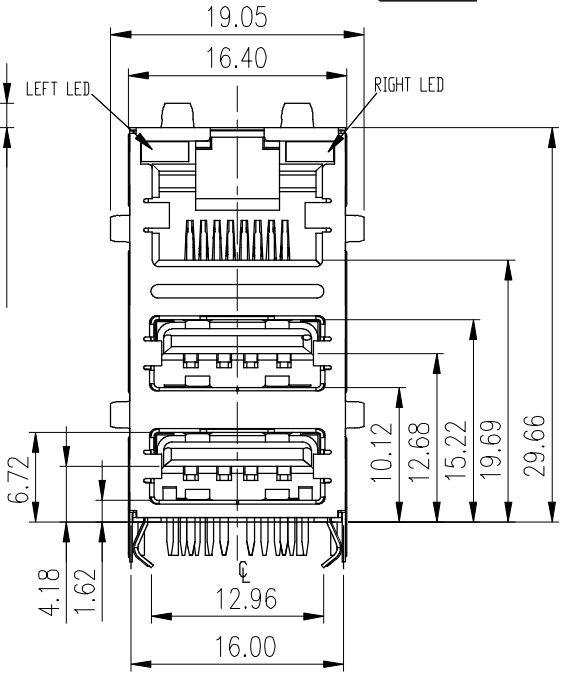
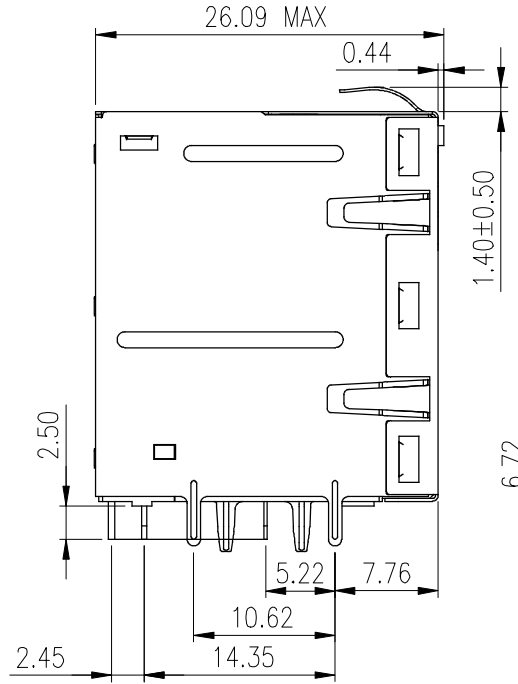
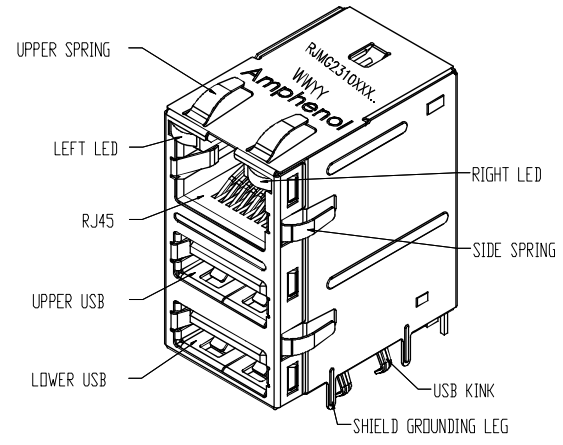
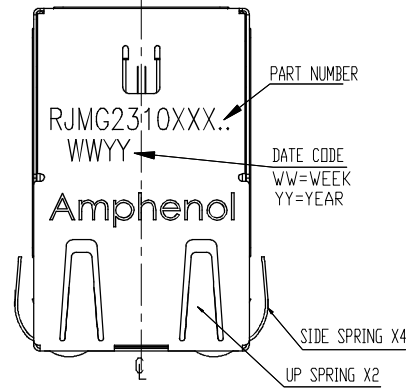


This document is the property of Amphenol Corporation and is delivered on the express condition that it is not to be disclosed, reproduced or used, in whole or in part, for manufacture or sale by anyone other than Amphenol Corporation without its prior consent, and that no right is granted to disclose or to use any information in this document.

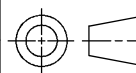
The marking on this product doesn't contain environmental hazardous materials per Material Specification SS-00259 for Sony GP compliant or per directive 2011/65/EU for RoHS compliant.

# CUSTOMER DRAWING

REVISIONS				
SYM	ECN No.	DESCRIPTION	DATE	APPROVED
A		NEW PROPOSAL DRAWING	04/10/2008	Greg.L
B	NE-15160	ADD THE PANEL DIMENSION AND UPDATE THE SHAPE	12/01/2015	Roger Tsai
C	NE-17008	Update the Footprint of USB PCB Layout	1/10/2017	Roger Tsai



TOLERANCE	APPROVALS	DATE	TITLE		Amphenol®		
X. ±0.35	DRAWN Arvin Ye	1/10/2017	RJmag 1000 Base-T		Amphenol Corporation Amphenol Taiwan Corporation		
X.X ±0.25							
X.XX ±0.15	CHECKED Vivian Wen	1/10/2017	RJ Over Dual USB		PART No.	RJMG2310228A0ER	
ANGULAR ±1°	APPROVED Roger Tsai	1/10/2017	UNIT mm	SIZE A3	SHEET 1 OF 4	DWG No.	RJMG2310228A0ER
UNLESS OTHERWISE SPECIFIED	DWG TYPE CUST DWG	PROJECT CODE RJMG					

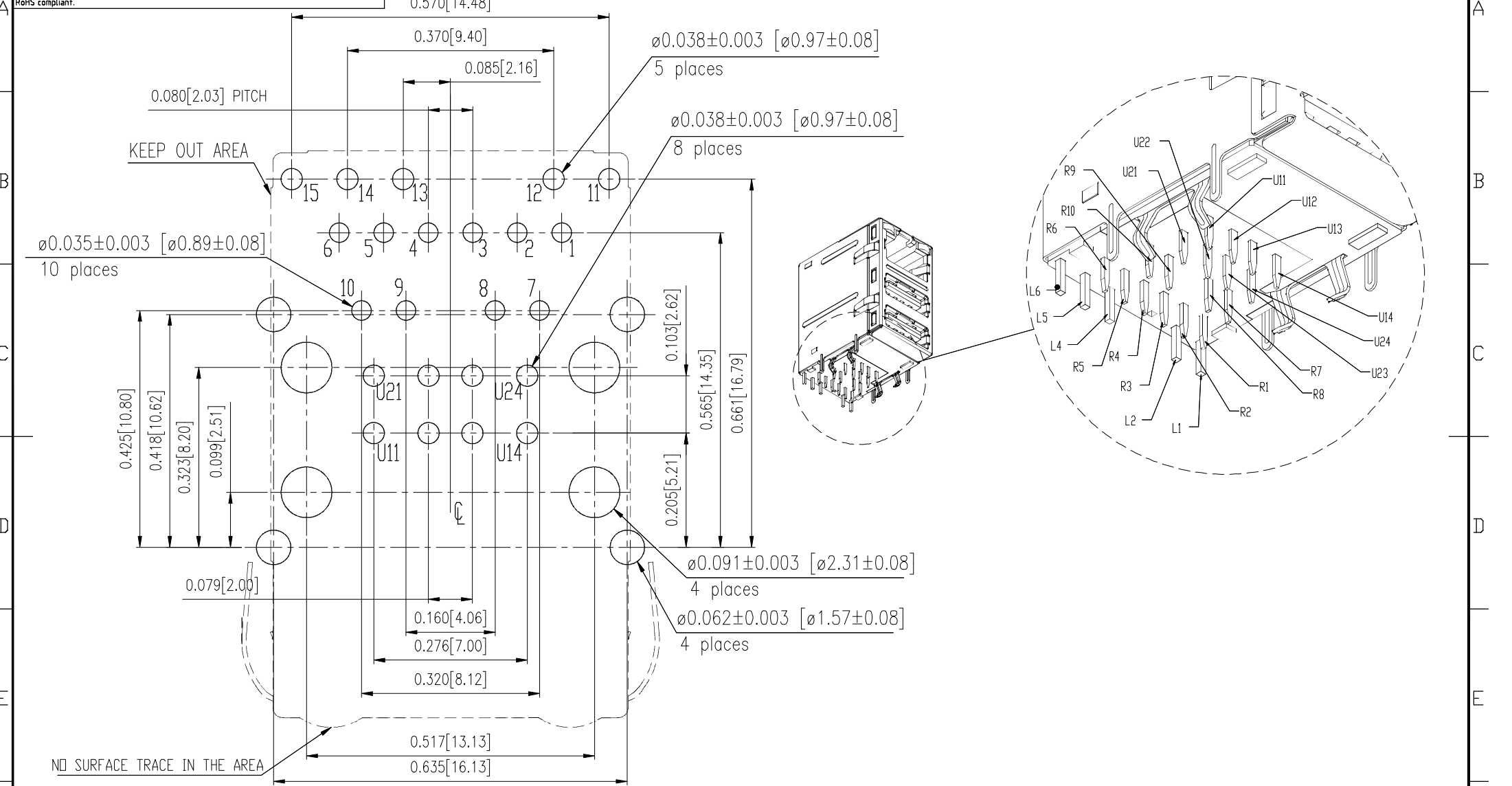


This document is the property of Amphenol Corporation and is delivered on the express condition that it is not to be disclosed, reproduced or used, in whole or in part, for manufacture or sale by anyone other than Amphenol Corporation without its prior consent, and that no right is granted to disclose or to use any information in this document.

The marking on this product doesn't contain environmental hazardous materials per Material Specification SS-00259 for Sony GP compliant or per directive 2011/65/EU for RoHS compliant.

# CUSTOMER DRAWING

REVISIONS				
SYM	ECN No.	DESCRIPTION	DATE	APPROVED
A		NEW PROPOSAL DRAWING	04/10/2008	Greg.L
B	NE-15160	ADD THE PANEL DIMENSION AND UPDATE THE SHAPE	12/01/2015	Roger Tsai
C	NE-17008	Update the Footprint of USB PCB Layout	1/10/2017	Roger Tsai



Recommended PCB layout component side view  
PCB thickness : 1.6mm

TOLERANCE		APPROVALS	DATE	TITLE		Amphenol®					
X.		DRAWN Arvin Ye	1/10/2017	RJmag 1000 Base-T		Amphenol Corporation Amphenol Taiwan Corporation					
X.X	±0.35										
X.XX	±0.25	CHECKED Vivian Wen	1/10/2017	RJ Over Dual USB		PART No. RJMG2310228A0ER					
X.XXX	±0.15										
ANGULAR	±1°	APPROVED Roger Tsai	1/10/2017			UNIT	mm	SIZE	A3	SHEET 2 OF 4	
UNLESS OTHERWISE SPECIFIED		DWG TYPE CUST DWG	PROJECT CODE RJMG			SCALE	NA	REV.	C		

This document is the property of Amphenol Corporation and is delivered on the express condition that it is not to be disclosed, reproduced or used, in whole or in part, for manufacture or sale by anyone other than Amphenol Corporation without its prior consent, and that no right is granted to disclose or to use any information in this document.

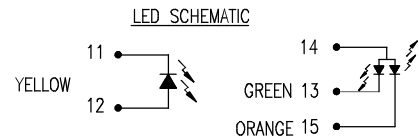
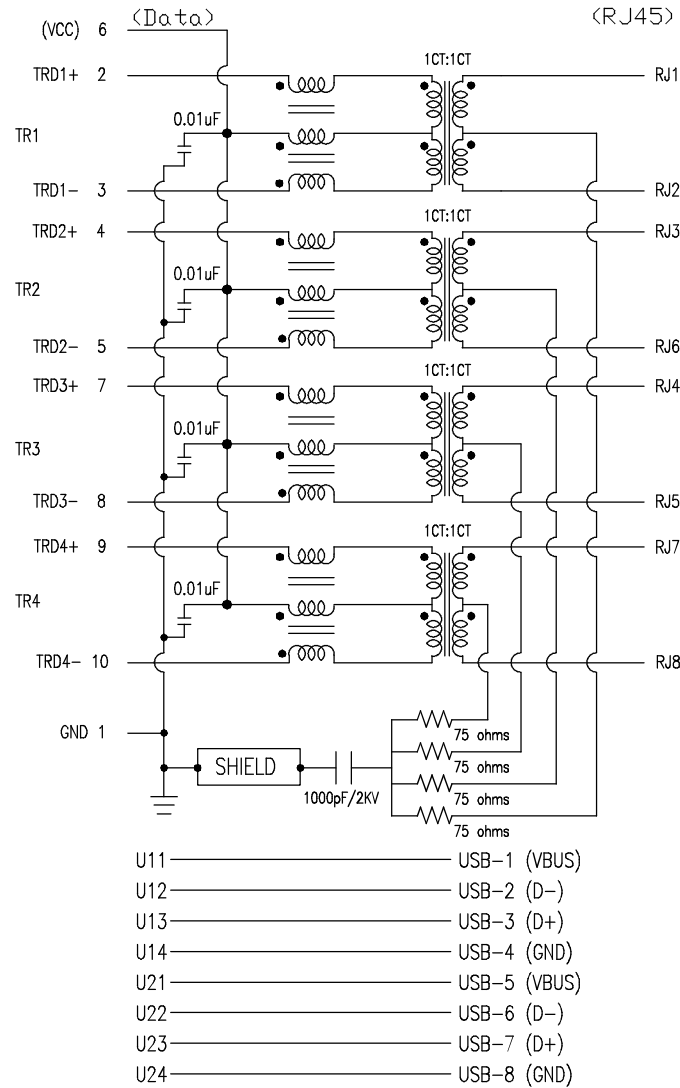
The marking on this product doesn't contain environmental hazardous materials per Material Specification SS-00259 for Sony GP compliant or per directive 2011/65/EU for RoHS compliant.

# CUSTOMER DRAWING

## Compliant with IEEE 802.3ab Standard

REVISIONS				
SYM	ECN No.	DESCRIPTION	DATE	APPROVED
A		NEW PROPOSAL DRAWING	04/10/2008	Greg.L
B	NE-15160	ADD THE PANEL DIMENSION AND UPDATE THE SHAPE	12/01/2015	Roger Tsai
C	NE-17008	Update the Footprint of USB PCB Layout	1/10/2017	Roger Tsai

### SCHEMATIC DRAWING



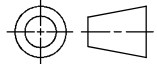
### CONNECTOR PERFORMANCE

#### ELECTRICAL SPECIFICATION(@25° C)

PARAMETER	LIMITS (MAX. OR MIN.)	FREQUENCY RANGE/TEST CONDITIONS
INSERTION LOSS	-1.2dB MAX.	0.1-125 MHz
RETURN LOSS	-16dB MIN. -10+20 log(f/80MHz)dB MIN.	0.5-40 MHz 40-100 MHz
CM-CM REJECTION	-30dB MIN.	100KHz-100MHz
CM-DM REJECTION	-35dB MIN.	100KHz-100MHz
CROSSTALK	-35dB MIN.	100KHz-100MHz
HIPOT (Withstanding)	1.5kVrms/60Hz or 2.25VDC MIN.	60S
ISOLATION Resistance	1000M ohms MIN.	500VDC 60S
OCL	350uH MIN. From 0~70 degree	100KHz 100mV 8mA
TURN RATIO	1:1±5%	

### LED PERFORMANCE:

	Activity	Link	
		Green (10Mbps)	Orange (100Mbps)
Display Color	Yellow	Green	Orange
Wavelength	590nm	565nm	605nm
Forward Current	30mA	30mA	30mA
Reverse Current	10uA	10uA	10uA
Forward Volt.Max	2.6VDC	2.6VDC	2.6VDC

TOLERANCE	APPROVALS	DATE	TITLE		Amphenol®				
X. ±0.35 X.X ±0.25 X.XX ±0.15	DRAWN	Arvin Ye	1/10/2017	RJmag 1000 Base-T		Amphenol Corporation Amphenol Taiwan Corporation			
	CHECKED	Vivian Wen	1/10/2017	RJ Over Dual USB					
	ANGULAR ±1°	APPROVED	Roger Tsai	1/10/2017			UNIT mm	SIZE A3	PART No. RJMG2310228A0ER
UNLESS OTHERWISE SPECIFIED	DWG TYPE	CUST DWG	PROJECT CODE	RJMG	SCALE NA	SHEET 3 OF 4	DWG No. RJMG2310228A0ER	REV. C	

This document is the property of Amphenol Corporation and is delivered on the express condition that it is not to be disclosed, reproduced or used, in whole or in part, for manufacture or sale by anyone other than Amphenol Corporation without its prior consent, and that no right is granted to disclose or to use any information in this document.

The marking on this product doesn't contain environmental hazardous materials per Material Specification SS-00259 for Sony GP compliant or per directive 2011/65/EU for RoHS compliant.

# CUSTOMER DRAWING

REVISIONS				
SYM	ECN No.	DESCRIPTION	DATE	APPROVED
A		NEW PROPOSAL DRAWING	04/10/2008	Greg.L
B	NE-15160	ADD THE PANEL DIMENSION AND UPDATE THE SHAPE	12/01/2015	Roger Tsai
C	NE-17008	Update the Footprint of USB PCB Layout	1/10/2017	Roger Tsai

## MATERIALS:

### HOUSING DIELECTRIC MATERIAL:

POLYMER TYPE: HIGH TEMPERATURE GLASS-REINFORCED THERMOPLASTIC,  
 COLOR: BLACK  
 UL FLAMMABILITY RATING : UL 94V-0

### CONTACTS (RJ MAG):

BASE METAL ALLOY: PHOSPHOR BRONZE  
 PLATING: 30u 'Au Min OVER 50u 'Ni Min UNDERPLATING  
 100u 'Tin Min OVER 50u ' Ni MIN ON TAILS.

### SHIELD:

STAINLESS STEEL , SUS304-1/2H. T=0.2MM , NO PLATING

### MECHANICAL FEATURES:

SOLDERABILITY: MIL-STD-202, METHOD 208.

### MATING/UNMATING FORCE:

### USB PORT :

COMPLY WITH USB2.0 FOR ALL ELECTRICAL AND MECHANICAL CHARACTERISTICS  
 INSERTION FORCE 3.5Kg MAX, PER USB2.0 SPEC  
 WITHDRAWAL FORCE 1.0Kg MIN , PER USB2.0 SPEC  
 DURABILITY: 5000 CYCLES MIN

### RJ PORT :

MATING: 2.0Kg MAX , PER EIA-364-13B  
 UNMATING FORCE: 2.0Kg MAX , PER EIA-364-13B  
 PACKAGING: 40PCS/PLASTIC TRAY, 4 TRAYS/BOX  
 COMPLY WITH FCC PART 68 SUBPART F.  
 DURABILITY: 5000 CYCLES MIN

## Environmental

OPERATING TEMPERATURE: -40°C TO +85°C.

STORAGE TEMPERATURE: -40°C TO +100°C.

WAVE SOLDERING TEMPERATURE: 260°C FOR 10 SECONDS MAX

ALTITUDE OPERATING RANGE: SEA LEVEL TO 3000m

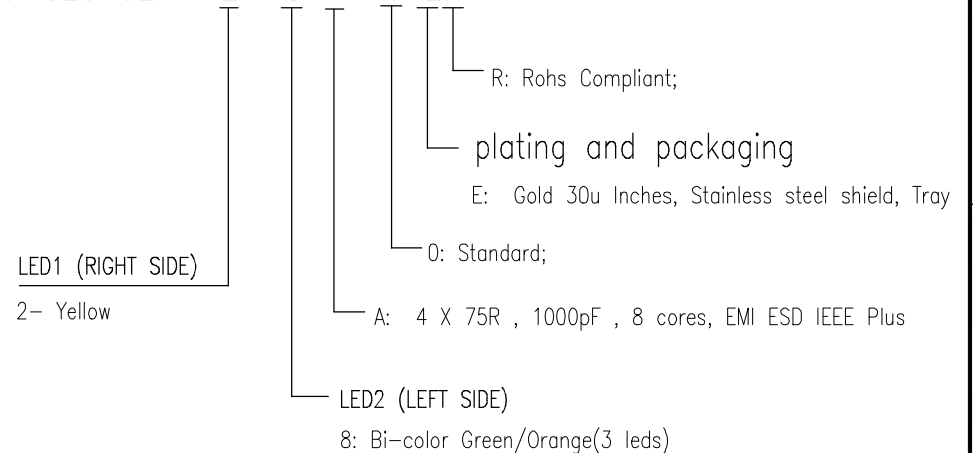
HUMIDITY: NO DAMAGE OR CHANGE THAT AFFECTS THE FUNCTION OR LOOKS OF MATED CONNECTORS

THERMAL SHOCK: SUBJECT MATED CONNECTORS TO 10 CYCLES BETWEEN -55°C AND 85°C, EVERY STEP TEMPERATURE 0.5h MIN

MECHANICAL SHOCK: THREE SHOCKS IN EACH DIRECTION SHALL BE APPLIED ALONG THREE MUTUALLY PERPENDICULAR AXES OF THE TEST SPECIMEN (18 SHOCKS)

### REMARKED:

RJMG23102 - 2 - 8 A - 0 ER



TOLERANCE		APPROVALS		DATE	TITLE		Amphenol®				
X.		DRAWN	Arvin Ye	1/10/2017	RJmag 1000 Base-T		Amphenol Corporation				
X.X	±0.35	CHECKED	Vivian Wen	1/10/2017	RJ Over Dual USB		Amphenol Taiwan Corporation				
X.XX	±0.25	APPROVED	Roger Tsai	1/10/2017		UNIT	mm	SIZE	A3	PART No.	RJMG2310228A0ER
X.XXX	±0.15	DWG TYPE	CUST DWG	PROJECT CODE		RJMG	SCALE	NA	SHEET	4 OF 4	DWG No.
ANGULAR ±1°		UNLESS OTHERWISE SPECIFIED								REV.	C