

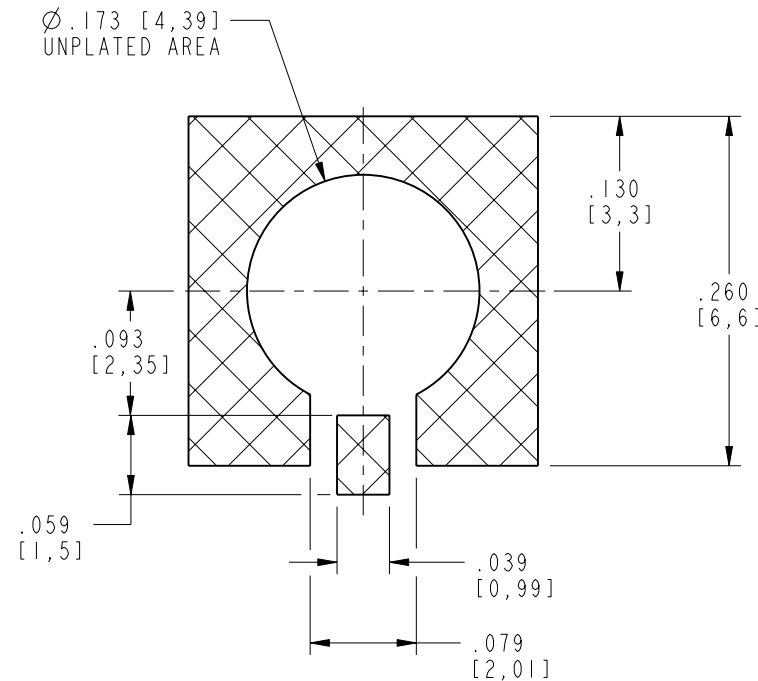
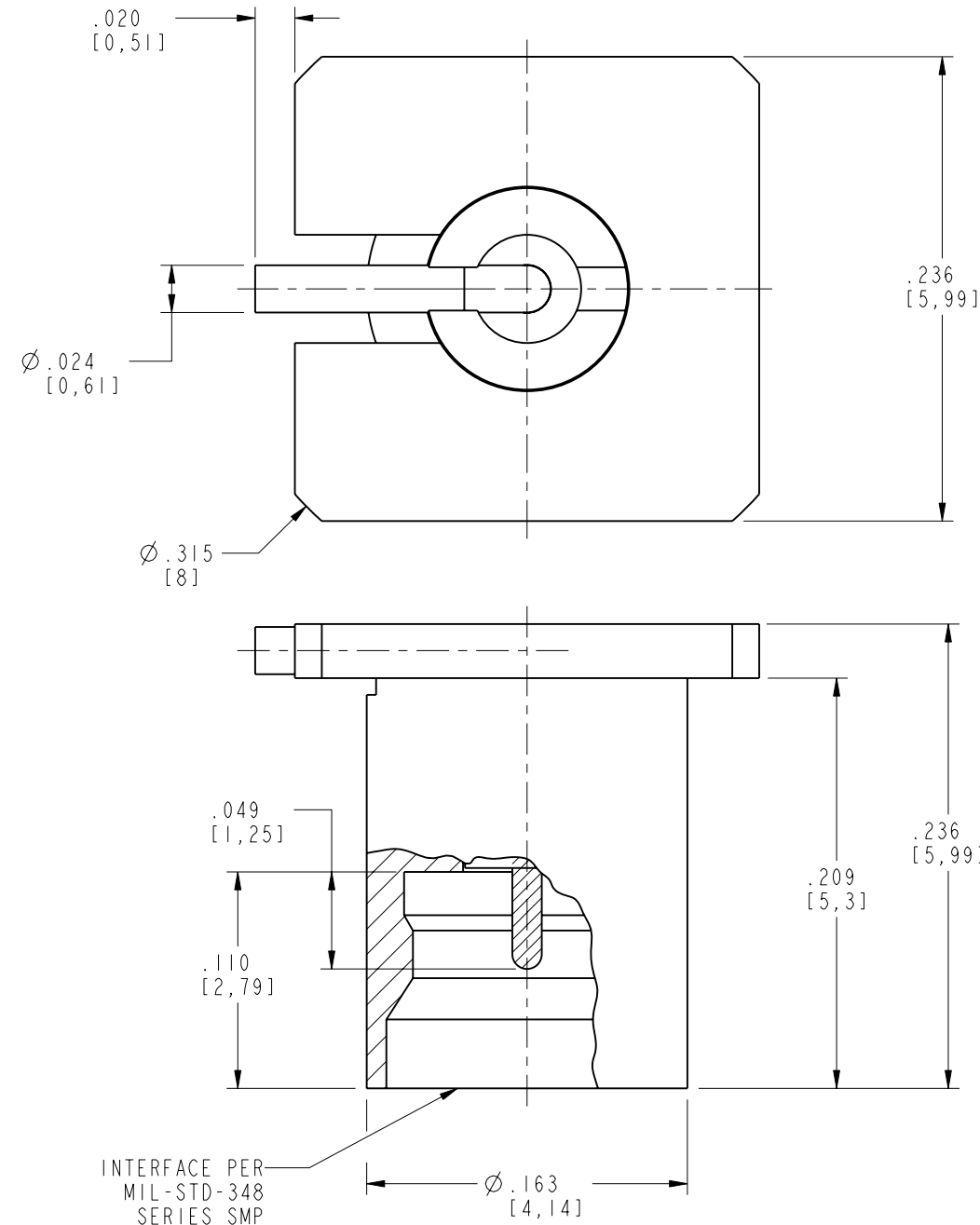
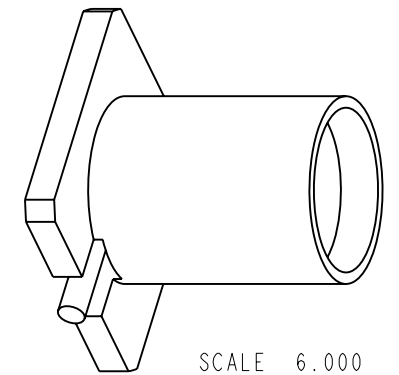
NOTES:

1. MATERIALS AND FINISHES:
  - BODY - BRASS, GOLD PLATING, .000030 [0.8] THICK OVER COPPER
  - CONTACT - BERYLLIUM COPPER, GOLD PLATING, .000030 [0.8] THICK OVER COPPER
  - INSULATOR - PEEK
2. ELECTRICAL:
  - A. IMPEDANCE: 50 OHM
  - B. FREQUENCY RANGE: DC - 6 GHz
  - C. VSWR(RETURN LOSS): 1.10 (26 dB), MAX. DC-6GHz  
1.20 (21 dB), MAX. 6-12GHz
  - D. DIELECTRIC WITHSTANDING VOLTAGE: 500 VRMS, MIN.
3. PHYSICAL:
  - A. DURABILITY: 500 CYCLES MIN.
  - B. ENGAGEMENT FORCE: 15 LB [67 N] MAX
  - C. DISENGAGEMENT FORCE: 2 LB [9 N] MIN
  - D. INNER CONTACT RETENTION FORCE: 1.5 LB [7 N] MIN
  - E. TEMPERATURE RANGE: -65° C TO 165° C
4. PACKAGING:
  - A. QUANTITY: SINGLE PACK
  - B. MARKING: AMPHENOL, SMP-MSFD-PCR, DATE CODE

THIRD ANGLE PROJ.

REVISIONS

REV	DESCRIPTION	DATE	ECO	APPR
A	RELEASE TO MFG	5/30/08	47081	NMV
B	SYNCHRONIZE WITH DANBURY	25-Apr-15	50556	KEN



**CUSTOMER OUTLINE DRAWING**  
**ALL OTHER SHEETS ARE FOR INTERNAL USE ONLY**

UNLESS OTHERWISE SPECIFIED, DIMENSIONS ARE IN METRIC AND TOLERANCES ARE: <0.5mm ±0.05mm    0.5 - 6mm ±0.1mm    6 - 30mm ±0.2mm    30 - 120mm ±0.3mm    ANGLES ±1°	MATERIAL	DRAWN S. DUAN	DATE 23-Apr-15	TITLE ASSEMBLY PC BOARD, REAR MOUNT FULL DETENT	Amphenol RF www.amphenolrf.com	
		ENGINEER OWEN.BARTHELMES	DATE 25-Apr-01			
NOTICE - These drawings, specifications, or other data (1) are, and remain the property of Amphenol corp. (2) must be returned upon request; and (3) are confidential and not to be disclosed to any person other than those to whom they are given by Amphenol Corp. the furnishing of these drawings, specifications, or other data by Amphenol Corp., or to any other person to anyone for any purpose is not to be regarded by implication or otherwise in any manner licensing, granting rights to permitting such holder or any other person to manufacture, use or sell any product, process or design, patented or otherwise, that may in any way be related to or disclosed by said drawings, specifications, or other data.	REFERENCE GEN# ASSYM2-SMP EAR# 283 615X-1690-100 EAR #2771	APPROVED S. HSIEH	DATE 29-Apr-15	SCALE: 11.0:1.0   SHEET 2 OF 2	DRAWING NO. SMP-MSFD-PCR	
	FINISH	CAD FILE		DWG SIZE B	REV B	ITEM NO. SMP-MSFD-PCR
						PART NO. SMP-MSFD-PCR