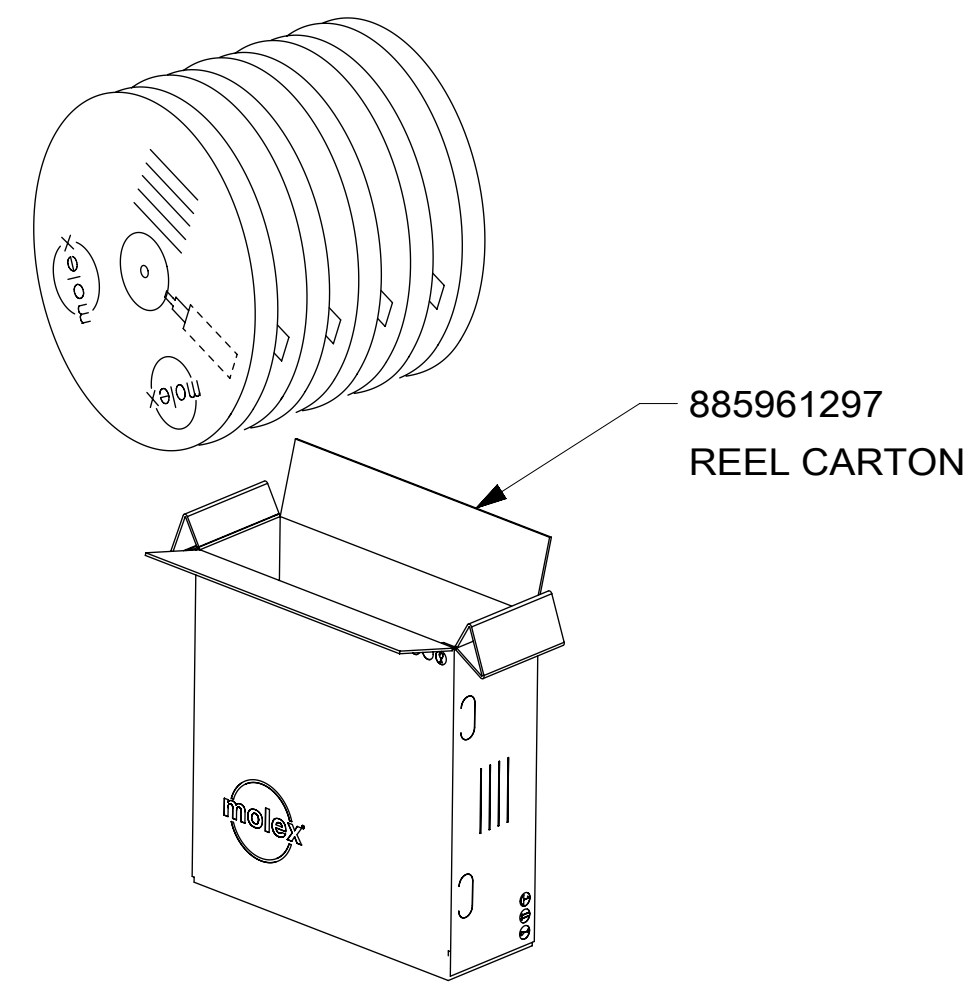
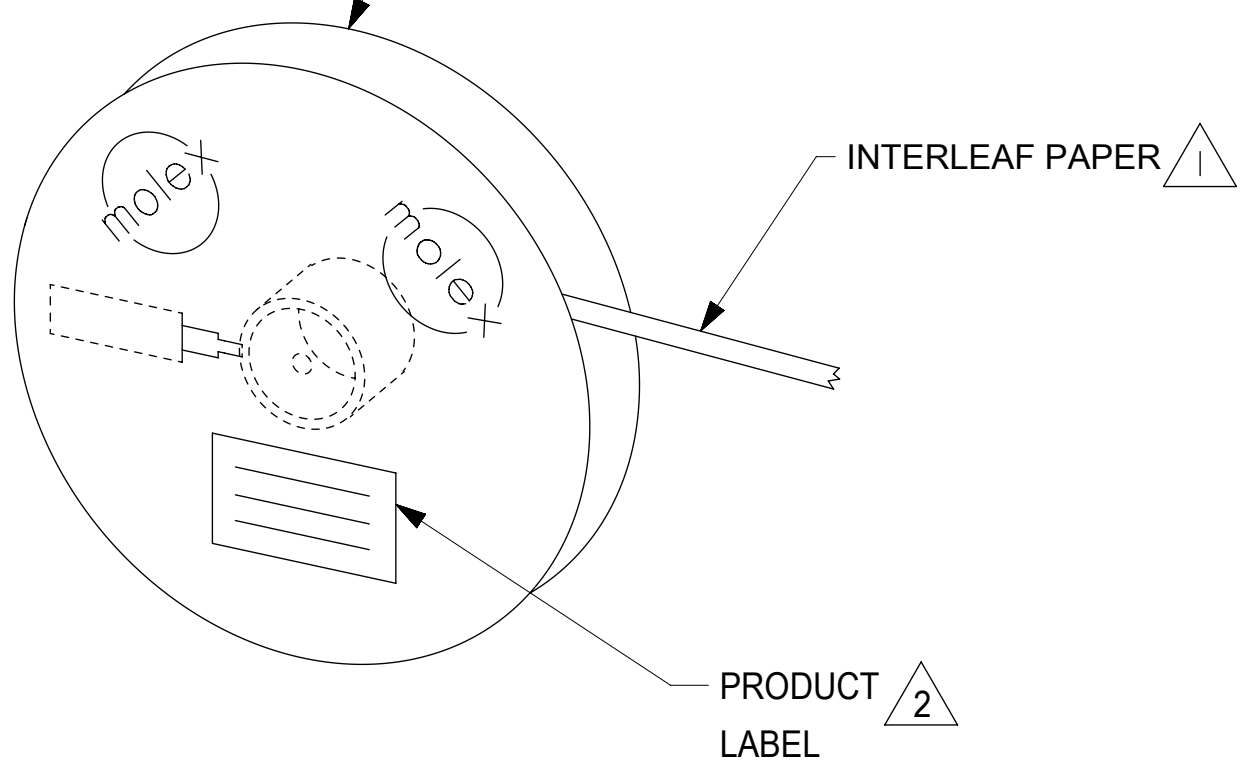


FULL REEL CARTON QUANTITIES

MATERIAL NUMBER	TERMINAL PER REEL	REELS PER CARTON	FULL SPQ CARTON QUANTITY
172718-1111	6000	5	30000
172718-2111	6000	5	30000
172718-3111	6000	5	30000
172718-4111	6000	5	30000
172718-5111	6000	5	30000
172718-6111	6000	5	30000
172718-1121	6000	5	30000
172718-2121	6000	5	30000
172718-3121	6000	5	30000
172718-4121	6000	5	30000
172718-5121	6000	5	30000
172718-6121	6000	5	30000



885961291  
REEL ASSEMBLY  
610MM DIA. REEL W/ 25MM WIDE CORE



NOTES:

1. INTERLEAF PAPER SHOULD BE USED FOR THE ENTIRE REEL. (REF.: ES-40000-7005)
2. PRODUCT LABEL TO BE ATTACHED AT THIS APPROXIMATE LOCATION. (REF ES-40000-7012)
3. FILL VOID SPACE IN CARTON AS REQUIRED WITH ADDITIONAL FLANGES.

THIS DRAWING CONTAINS INFORMATION THAT IS PROPRIETARY TO MOLEX ELECTRONIC TECHNOLOGIES, LLC AND SHOULD NOT BE USED WITHOUT WRITTEN PERMISSION												
QUALITY SYMBOLS	CHG QTY PER REEL-CTN	EC NO: 110306	DRWN: TGREGORI	CHKD:	APPR: RHODGE	GENERAL TOLERANCES (UNLESS SPECIFIED)		DIMENSION UNITS	SCALE			
						ANGULAR TOL ± °		DRWN BY	DATE			
▽ = 0						4 PLACES ±		TGREGORI	2015/02/06	REEL PACKAGING SPECIFICATION MINI-FIT TPA 2.0 RECEP. CRIMP TERMINALS		
▽ = 0						3 PLACES ±	CHK'D BY	DATE				
▽ = 0						2 PLACES ±	APPR BY	DATE	PACKAGING DESIGN DRAWING			
▽ = 0						1 PLACE ±	RHODGE	2015/03/17				
▽ = 0						0 PLACES ±	DRAWING SIZE	THIRD ANGLE PROJECTION	SERIES	MATERIAL NUMBER	CUSTOMER	
▽ = 0						DRAFT WHERE APPLICABLE MUST REMAIN WITHIN DIMENSIONS	B		172718	SEE TABLE	GENERAL MARKET	
▽ = 0									DOCUMENT NUMBER	DOC TYPE	DOC PART	SHEET NUMBER
									PK-172718-0000	PDD	000	1 OF 1

RELEASE STATUS	RELEASE DATE
----------------	--------------