



# NEVALO SSL System

75W Non Dimmable LED Driver

2100mA Constant Current

## Features

- › High efficiency, 85% typical
- › Power factor >.0.95
- › UL recognized, class 2 isolation
- › Protection
  - › Thermal protection of CN88 module
  - › Short circuit
  - › Input surge voltage
  - › Over voltage
  - › Over current
- › Dry and damp location compatible
- › 5 Year warranty with NEVALO system

The NEVALO system 75W non dimmable LED driver is a high efficiency, power factor corrected supply with a unique color coded, keyed interconnect design that helps deliver optimal power to LEDs. The driver is designed with built-in voltage and thermal protection and is warranted for 5 years when used with the NEVALO SSL System.

## APPLICATIONS

- › Retail / Shop lighting
- › Office / Corridor downlights
- › Exterior / Architectural / Security lighting
- › High Flux/High Lumen lighting

## MECHANICAL CONSTRUCTION

**Body:** Aluminum, Silver

**End Caps:** Zinc Plated Steel

**Input Wire:** 18AWG Stranded, UL 1015 PVC 300V,

› Neutral - White

› Line/Mains - Black

› Earth Ground - Green with Yellow Stripe

**NEVALO Connector:** Glass Filled LCP, Natural

**Strain Relief:** Nylon 6/6, Black

## ENVIRONMENTAL

**Storage Temperature:** -40°C to 85°C

**Temperature (Max) T<sub>c</sub>:** 90°C

**Max Ambient Operating Temperature:** 50°C

**Humidity:** 5-95% non-condensing

**Sound:** Class A

**Vibration:** IEC 60068-2-64; IEC 60068-2-6

**ROHS Compliant:** Yes

## ELECTRICAL CHARACTERISTICS

	Parameter	Conditions	Min	Typ	Max	Units
Input	Voltage (V <sub>in</sub> )		90		305	VAC
	Frequency (freq <sub>in</sub> )		47		63	Hz
	Power Factor (PF)	V <sub>in</sub> = 120VAC at max load		0.95		
	Efficiency	I <sub>o</sub> at max load, V <sub>in</sub> = 110VAC		85		%
	THD				20	%
	In-rush Current (I <sub>in</sub> ) MAX	V <sub>in</sub> = 120VAC			20	A
Output	Voltage (V <sub>o</sub> )	At rated load	18		36	DC
	Current (I <sub>o</sub> )			2100		mA
	Current Regulation (I <sub>R</sub> )			3	5	%
	Set Point Current Accuracy	V = 110VAC-132VAC			3	%
	Ripple Current				10	%
Protection	Over-Voltage Limit Threshold			YES		
	Output Current Short Protection			YES		
	Short & Open Circuit			YES		

Typical values are at T<sub>c</sub> = 25°C

nevalo.com  
te.com



# NEVALO SSL System

75W Non Dimmable LED Driver

2100mA Constant Current

## ORDERING INFORMATION

Part Number	Output Power (W)	Nominal Input Voltage (VAC)	Output Current (mA)	Output Voltage (Min)	Output Voltage (Max)	System Budget
<b>2154208-1</b>	75	120-277	2100	18	36	18-36

\*System Budget is a unique NEVALO SSL system feature that allows the appropriate LED Light Module (LLM) loading to the driver. Blue = 2100mA and matches color coding on driver.

## DOCUMENTS

Click for link to document	
Product Specification	<a href="#">108-2450</a>
Customer Drawing	<a href="#">2154208-1</a>
IS sheet	<a href="#">408-10419</a>

## ELECTROMAGNETIC COMPATIBILITY

Parameter	Conditions
EMI Conducted and Radiated	FCC Title 47, Part 15, Class B
Surge Immunity	IEC 61000-4-5,2005 (1.2/50us (8/20us)) L-N = 3kV L-PE/N-PE = 3kV
EMC Compliance - Fast Transients/Bursts	EN61000-4-4, Level 2
ESD Immunity	EN61000-4-2, Level 4
Radiated RFI	EN61000-4-3, 80Mhz - 1 GHz, 10V/M 80% AM
Harmonics	EN61000-3-2, Class C

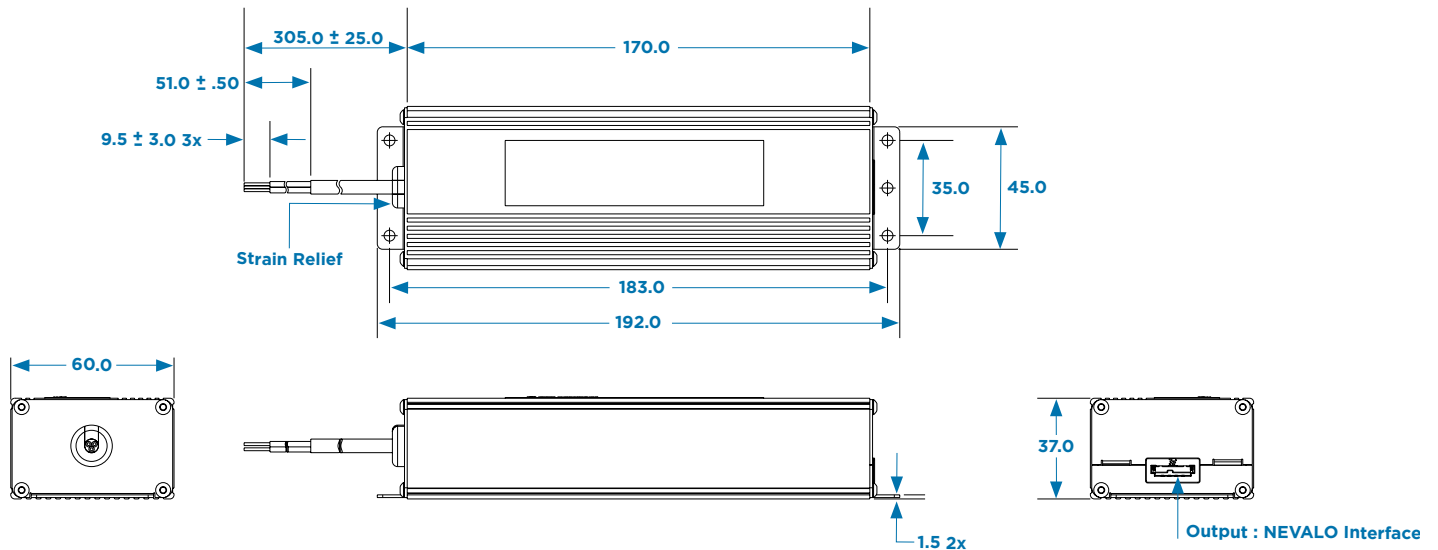
As assembled into complete product

## APPROVALS

Parameter	Standard
USA Safety	UL 8750 Recognized, compliant to UL 1310 (pending)
International Safety	CE mark to IEC 61347-1/-2-13 (pending)

As assembled into complete product

## PRODUCT DIMENSIONS



nevalo.com  
te.com