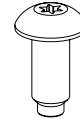


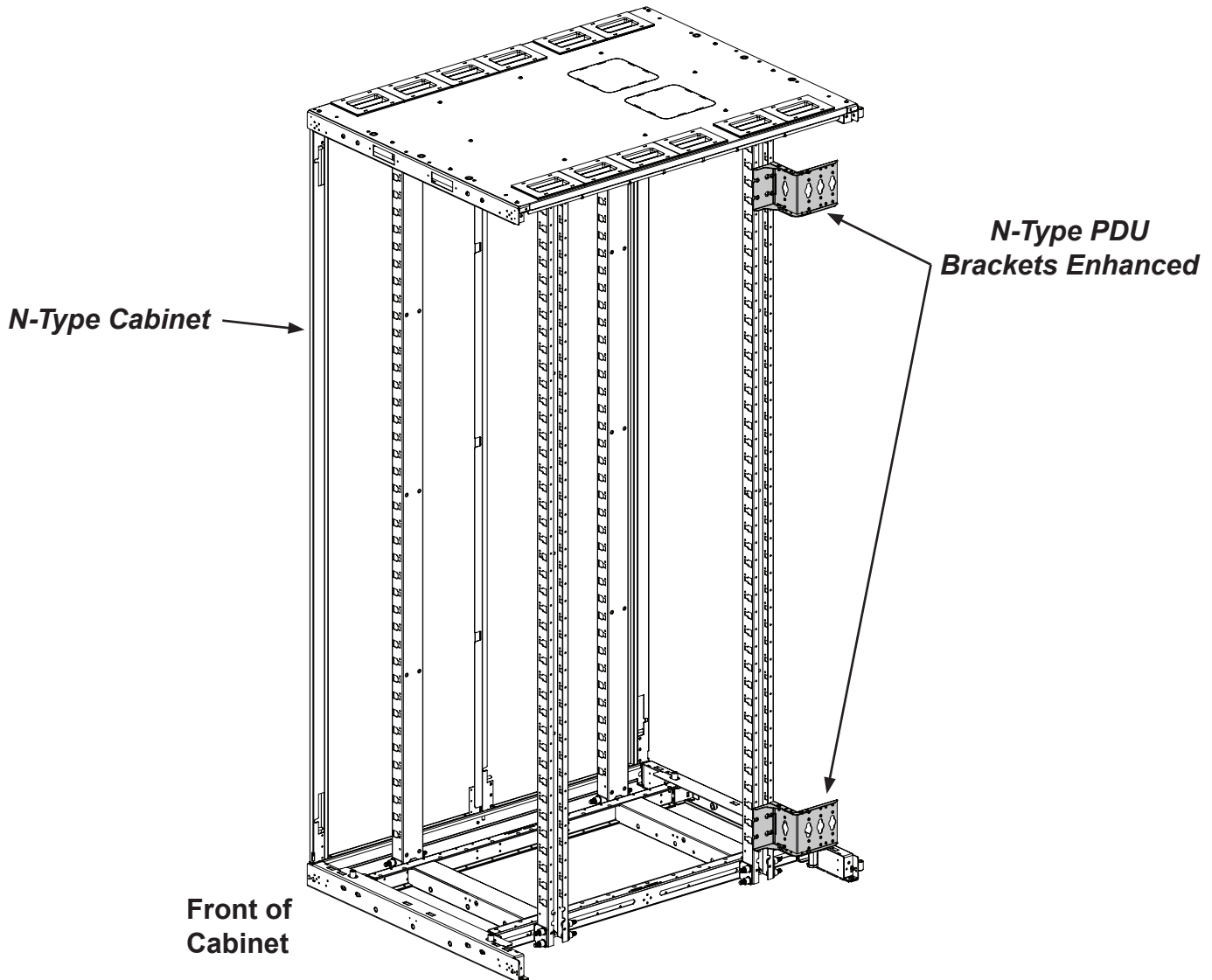
N-Type PDU
Bracket Enhanced
Qty: 2

Tool List:

- T25 Torx driver

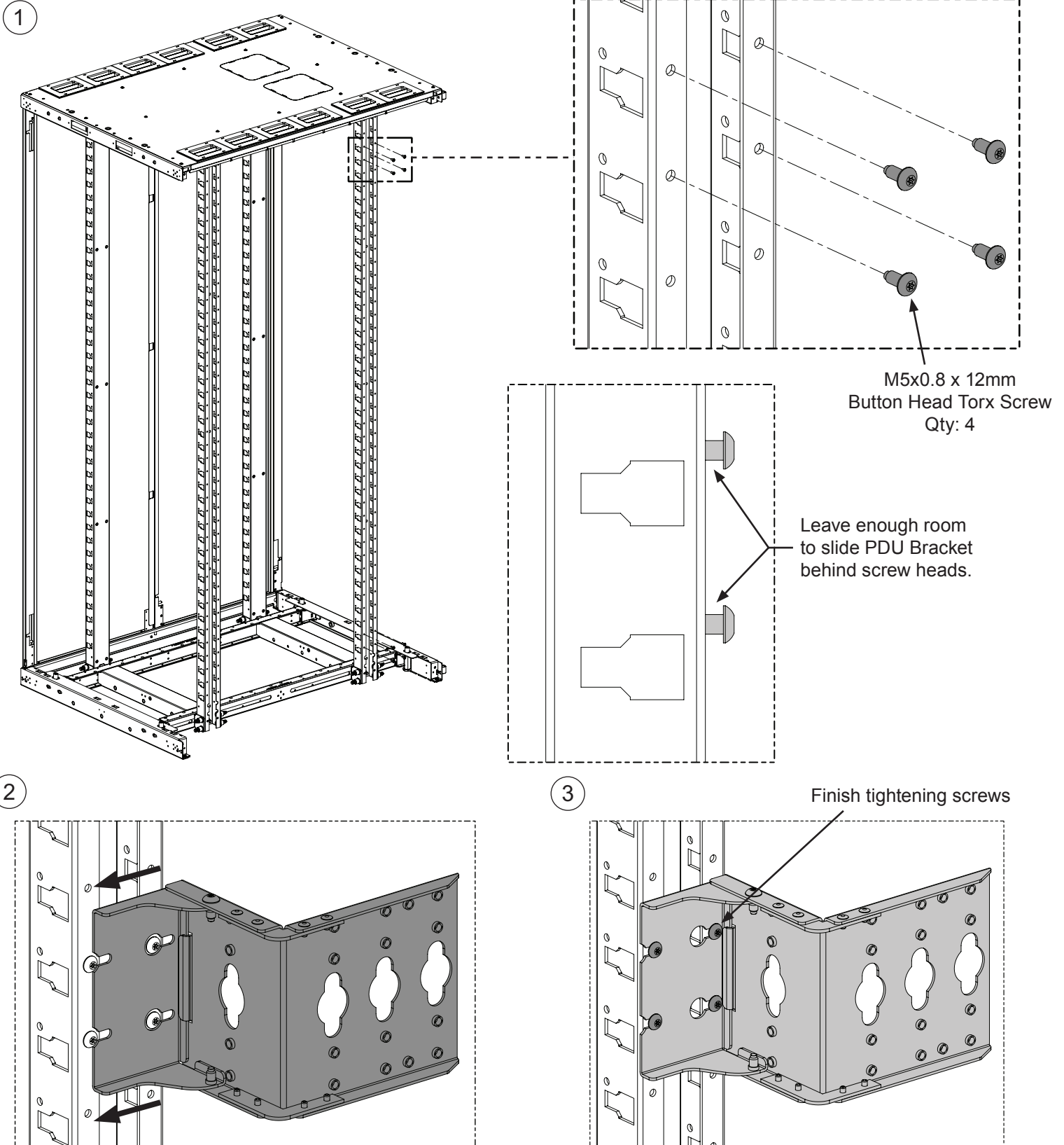


M5x0.8 x 12mm
Button Head Torx Screw
Qty: 8



Installing PDU Brackets to Cabinet

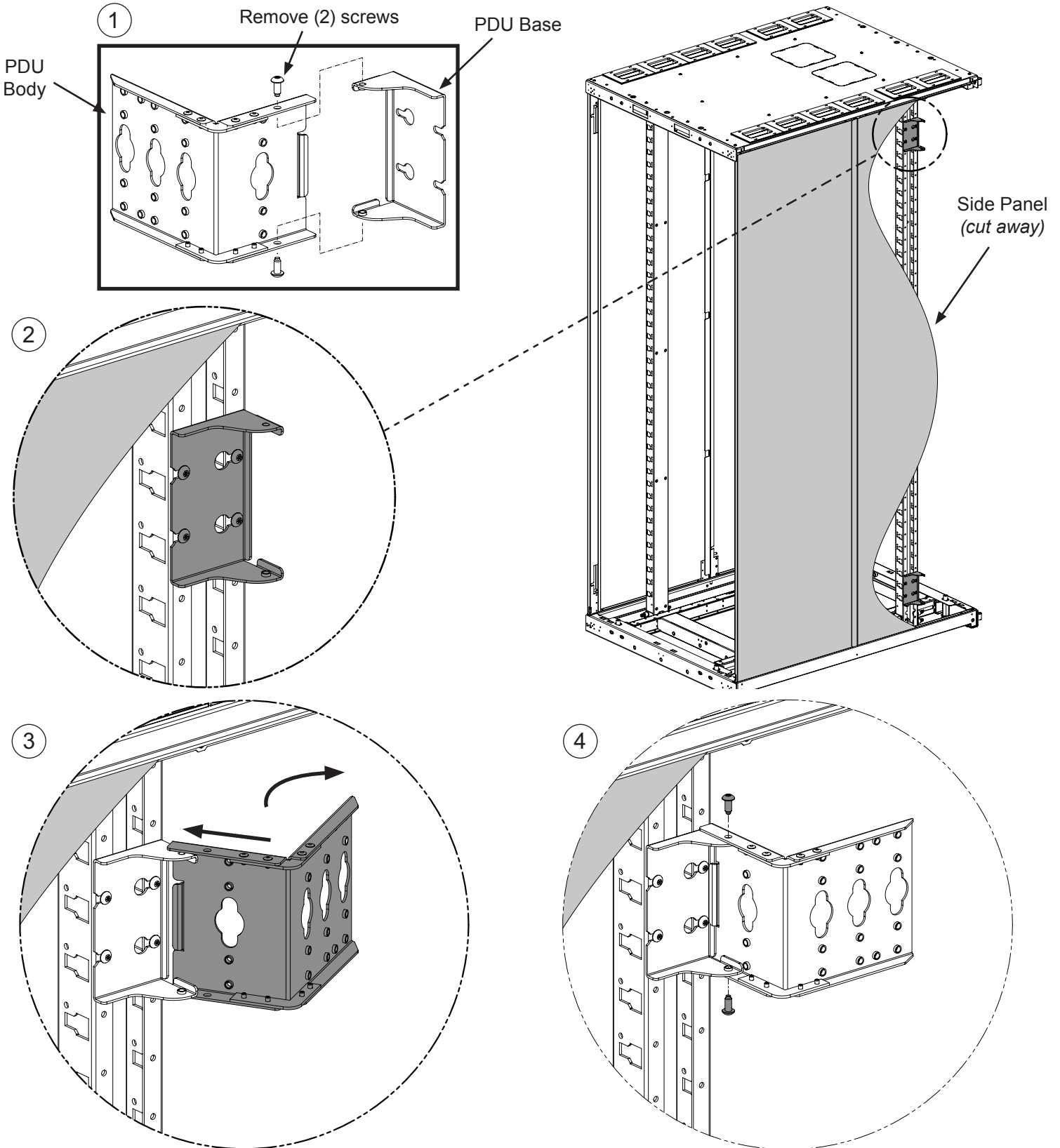
- Install (4) M5x0.8 x 12mm Button Head Torx screws into Cabinet post at desired locations for your specific PDU.
- Do NOT tighten the screws. Leave enough room to slide PDU Bracket behind screw heads.
- Install PDU Bracket over screw heads and slide PDU Bracket back. Tighten the (4) M5x0.8 x 12mm Button Head Torx screws.



For Technical Support: www.panduit.com/resources/install_maintain.asp

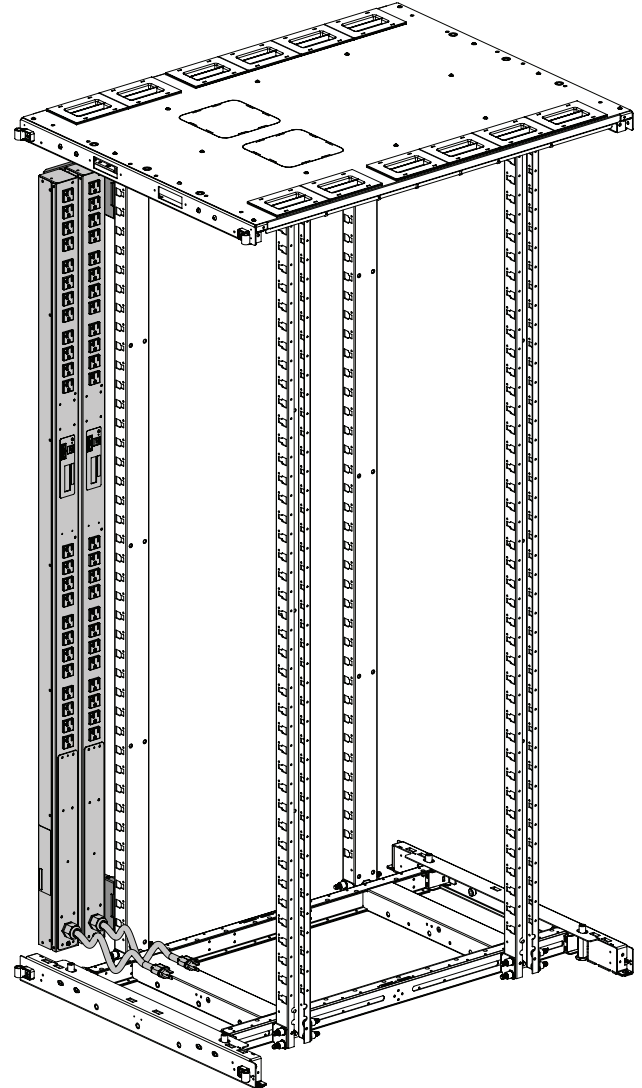
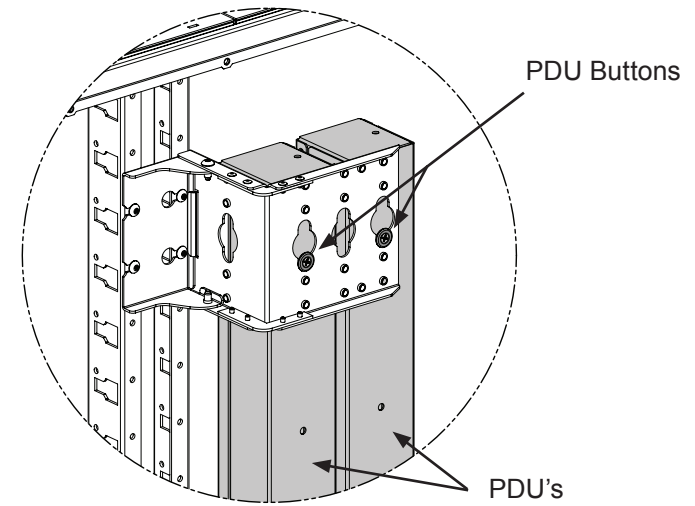
Install PDU Brackets in Cabinet where access to side of cabinet is limited

- Disassemble PDU Bracket by removing (2) M5x0.8 x 12mm Button Head Torx screws.
- Install the Base of the PDU Bracket to the Cabinet post.
- Install the Body of the PDU Bracket back onto the Base and reinstall the (2) M5x0.8 x 12mm Button Head Torx screws.

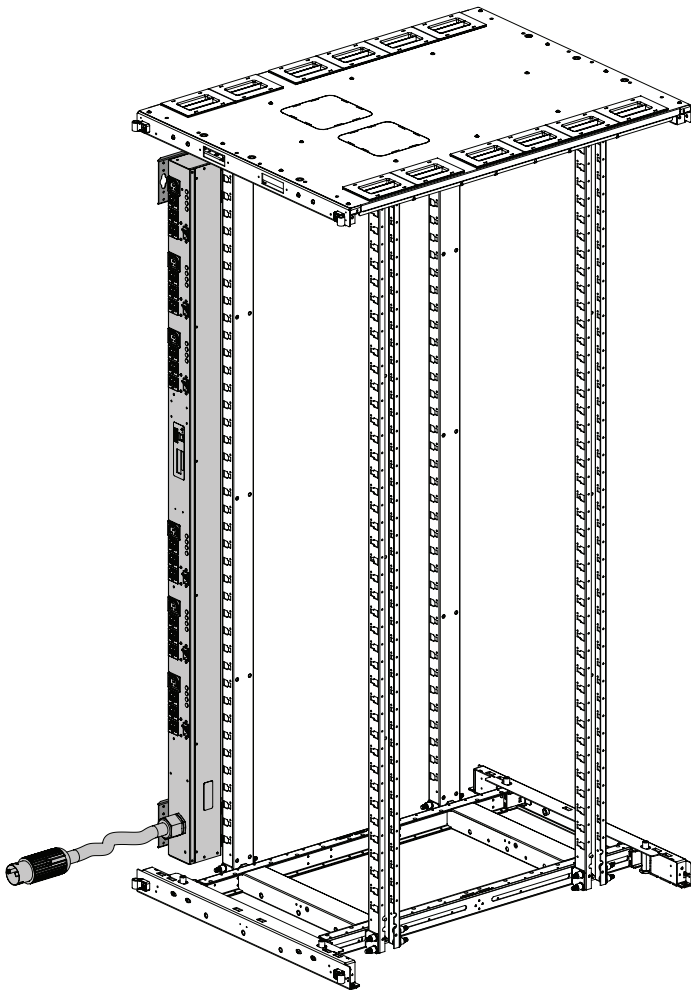


Installation of PDU's onto the PDU Brackets

- Attach PDU buttons onto PDU Brackets cut-outs in desired location(s).
- Up to (2) 2.5" wide PDU's can fit on the inward face of PDU Brackets.
- Up to (1) 3.25" PDU can fit on the backward face of PDU Brackets.



Up to (2) 2.5" wide PDU's can fit on the inward face of PDU Brackets.



Up to (1) 3.25" PDU can fit on the backward face of PDU Brackets.

For Instructions in Local Languages
and Technical Support:

www.panduit.com/resources/install_maintain.asp

PANDUIT

www.panduit.com

E-mail:
techsupport@panduit.com

Phone:
866-405-6654