

5

4

3

2

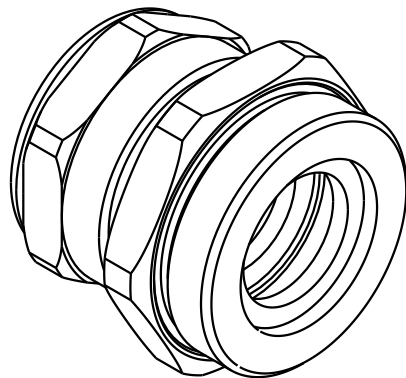
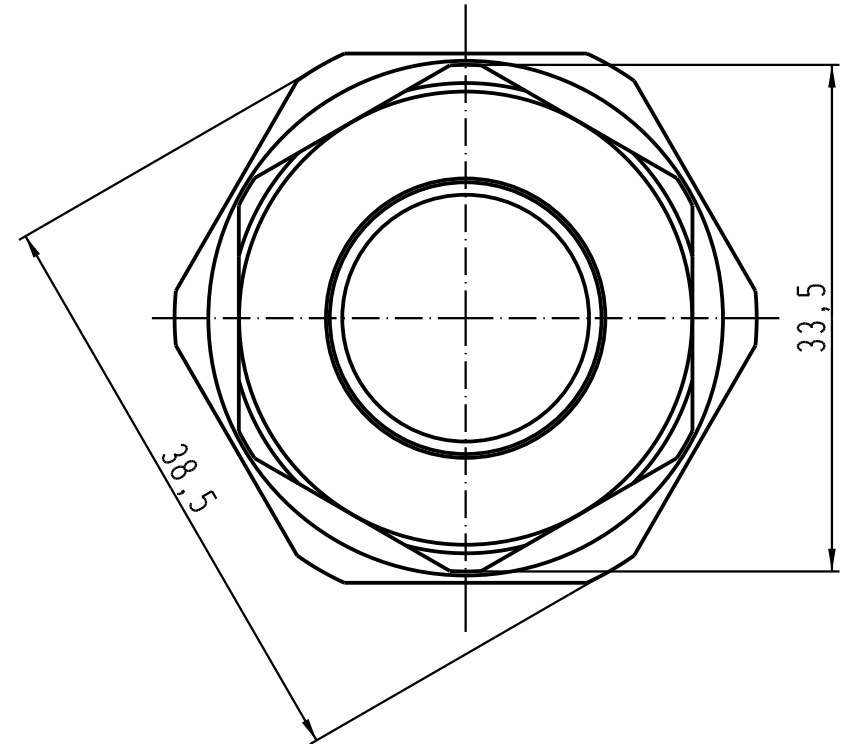
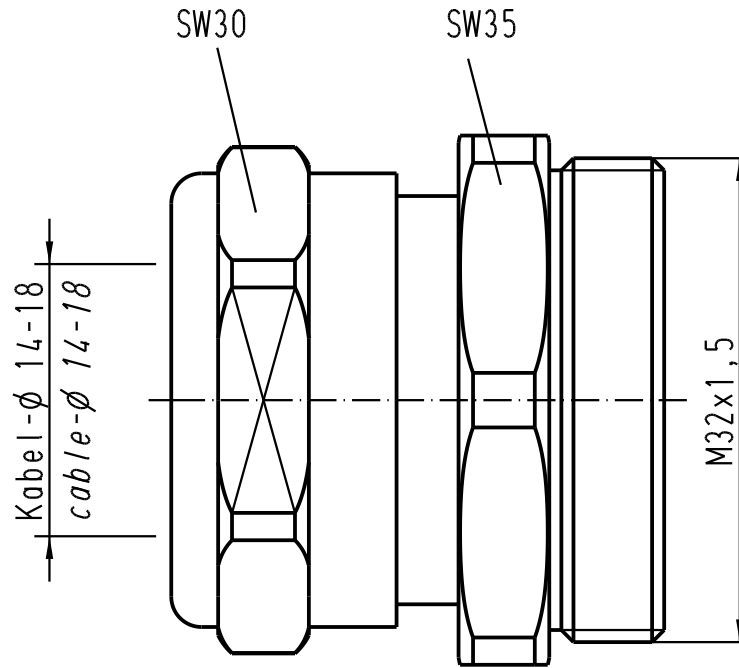
1

D

C

B

A



Schirm-φ 9-14,5mm  
screening-φ 9-14,5mm

		All Dimensions in mm Original Size DIN A 4		Techn. Character.		Nicht tolerierte Masse/ Free size tolerances		
				Dat.	Name	Massstab/Scale  2:1	<b>EMV-Kabelverschraubung-M32</b> Metall <i>universal cable protection for EMC, metal</i>	
				Detail.	12.10.06			Loe.
				Insp.				Be
				Stand.				
412520	31.10.06	Bor		HARTING Electric GmbH & Co. KG D-32339 Espelkamp			<b>TB 19 62 000 5096</b>	
412488								Blatt/ page
Mod.	Dat.	Name					Sub.	