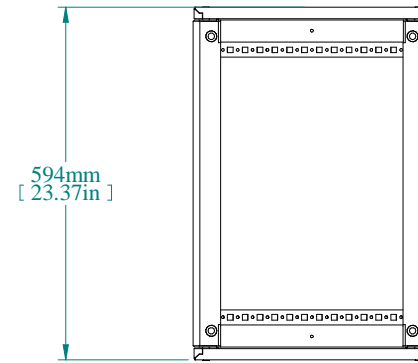
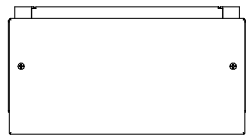


ISOMETRIC VIEW

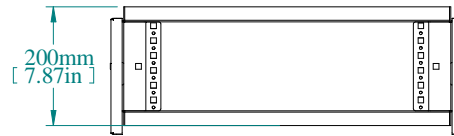


594mm
[23.37in]

TOP VIEW

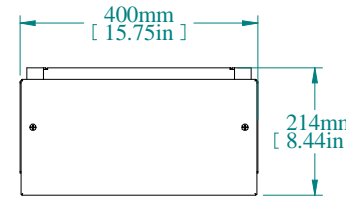


REAR VIEW



200mm
[7.87in]

L.S VIEW



400mm
[15.75in]

214mm
[8.44in]

FRONT VIEW

PART NUMBERS	
HTCM46	PAINTED TEXTURED GRAY RAL 7035

NOTES
Top Module consists of frame with removable front and rear panels See Hammond Website for Additional Accessories.

Data subject to change without notice. Isometric drawing not to scale.



**HAMMOND
MANUFACTURING™**
www.hammondmfg.com
PART NO. HTCM46