

10 9 8 7 6 5 4 3 2 1

F

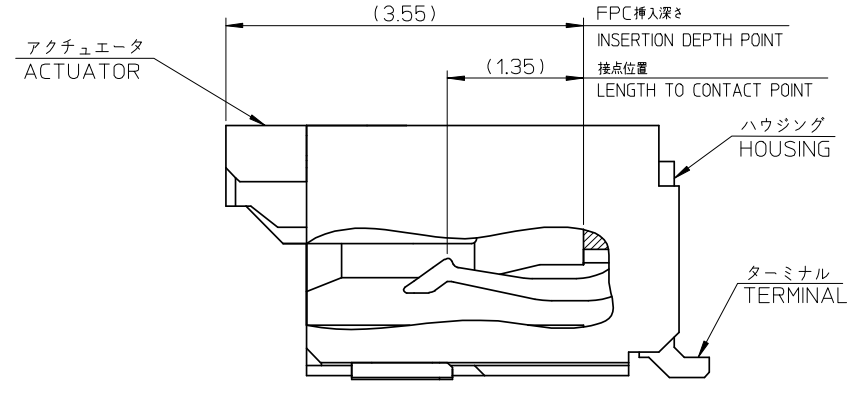
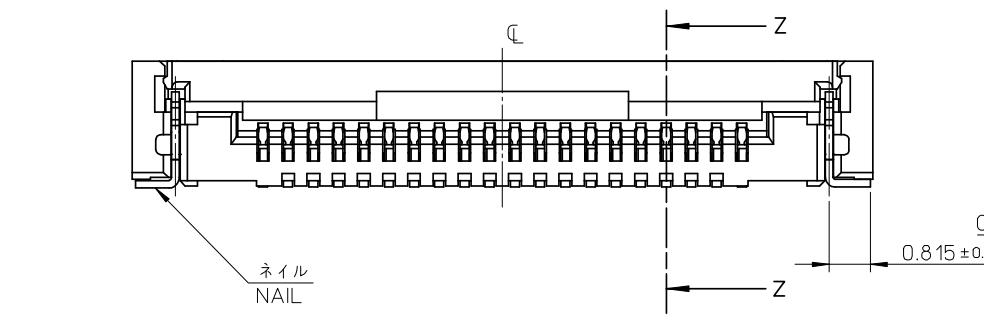
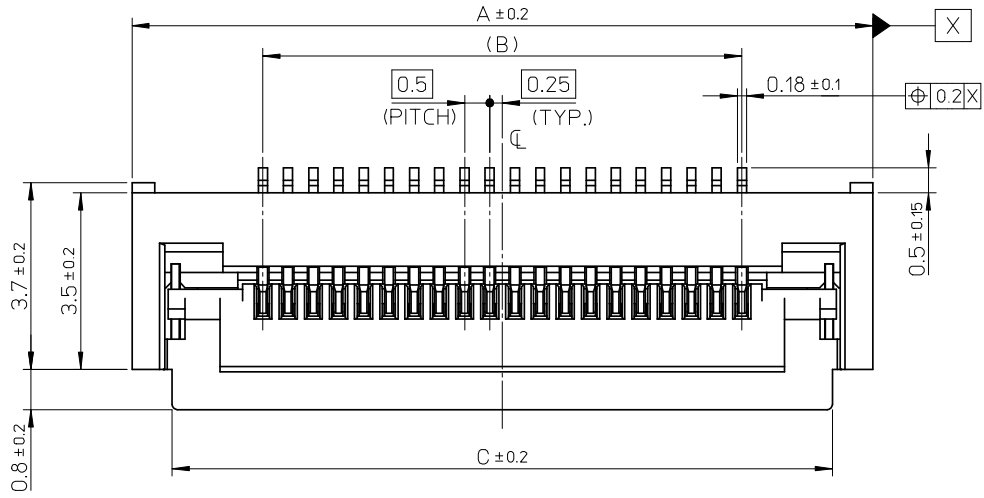
E

D

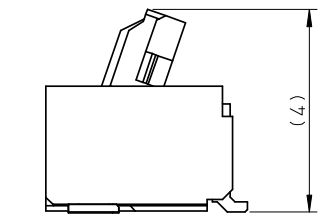
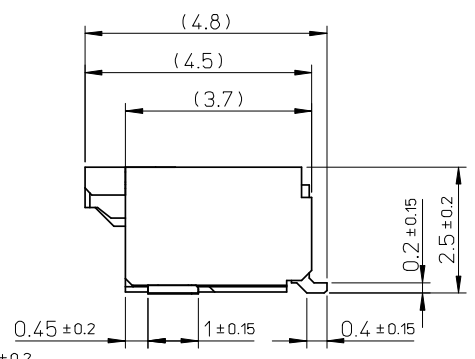
C

B

A



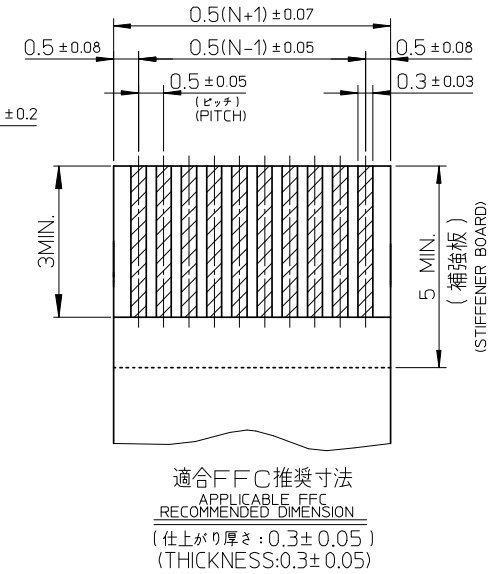
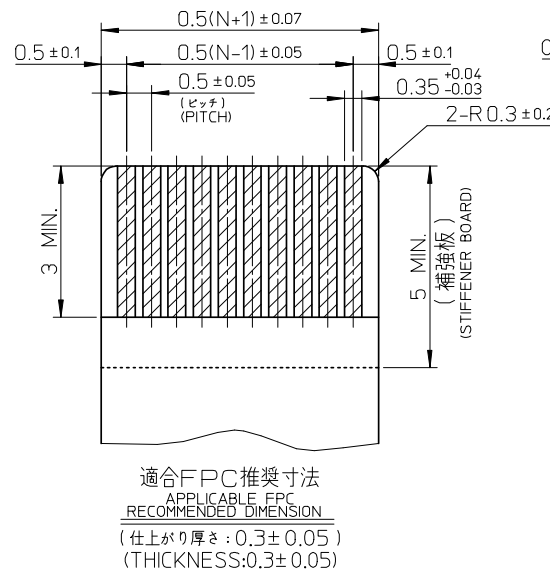
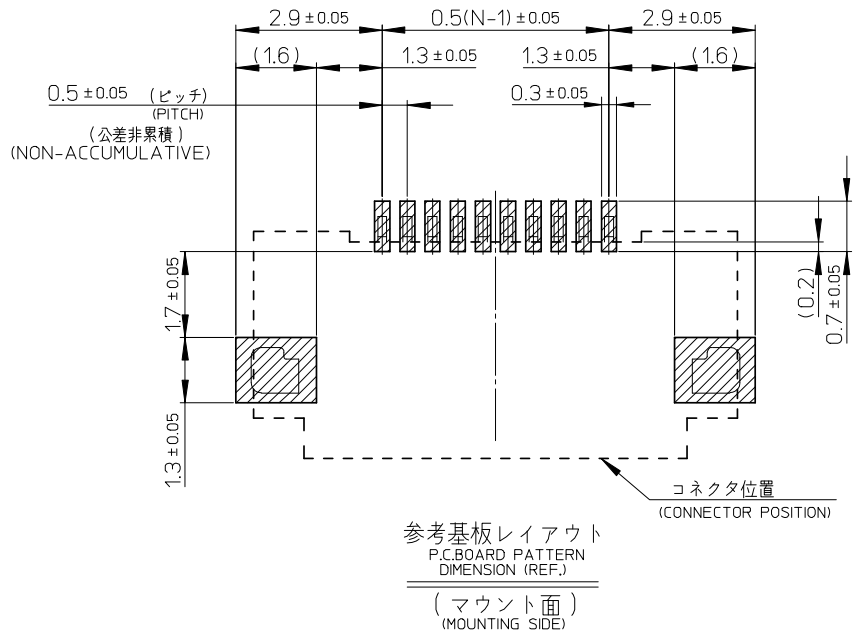
SECTION Z-Z (SCALE 20:1)



アクチュエータ開口した状態
(WHEN ACTUATOR IS OPENED)

28.1	24.5	29.7	502066-5093	502066-5010	50
23.1	19.5	24.7	502066-4093	502066-4010	40
C	B	A	EMBOSSED TAPE	MATERIAL NO.	CIRCUIT
			ORDER No. オーダー番号		

REVISED EC NO.: J2009-0003 DRWN: MABEI 2008/07/08 CHKD: THARUYAMA 2008/07/09 APPR: NUKITA 2008/07/09	GENERAL TOLERANCES (UNLESS SPECIFIED)		DIMENSION STYLE MM ONLY		SCALE 10:1	DESIGN UNITS METRIC	THIRD ANGLE PROJECTION	
	10 UNDER 10 OVER 30 UNDER 30 OVER	+--- ±--- ±---	DRAWN BY YKOBAYASHI	DATE 2006/07/21	TITLE 0.5FPC CONN. ZIF E/O HSG ASS'Y(H=2.5) -LEAD FREE-			
	ANGULAR ±1 ° DRAFT WHERE APPLICABLE MUST REMAIN WITHIN DIMENSIONS		CHECKED BY HHIRATA	DATE 2006/07/21	MOLEX INCORPORATED			
			APPROVED BY MSASAO	DATE 2006/07/21	MATERIAL NO. SEE TABLE	DOCUMENT NO. SD-502066-001	SHEET NO. 1 OF 2	



注記 NOTES

1. 使用材料 MATERIAL

ハウジング : 液晶ポリマー ガラス充填, UL94V-0 (ベージュ)
HOUSING : LIQUID CRYSTAL POLYMER GLASS FILLED, UL94V-0 (BEIGE)
アクチュエータ: PPSガラス充填, UL94V-0 (茶)Ⓐ
ACTUATOR : POLYPHENYLENESULFIDE GLASS FILLED, UL94V-0 (BROWN)
ターミナル : リン青銅 (七=0.18)
TERMINAL : PHOSPOR BRONZE (七=0.18)
金具 : リン青銅 (七=0.15)
FITTING NAIL : PHOSPOR BRONZE (七=0.15)

2. メッキ仕様 PLATING

ターミナル TERMINAL
ニッケル下地金めっき
GOLD(Au) OVER NICKEL(Ni) PLATING
金具 FITTING NAIL
ニッケル下地金めっき
TIN(Sn) OVER NICKEL(Ni) PLATING

3. エンボステープ梱包時は、アクチュエータが閉じた状態とする。
IN THE PACKAGE, ACTUATOR OF PART NO.502066-***10 SHOULD BE CLOSED.
4. R0.3 は、FPC 導体部にかからないこと。
R0.3 MUST NOT BE OVERLAPPED TO PATTERN OF FPC.

FPC/FFCについて:

打抜き方向は導体側から補強板側を推奨致します。
導体部については軟銅箔35マイクロメートルまたは50マイクロメートルを推奨致します。
ABOUT FPC/FFC
RECOMMENDED PUNCHER DIRECTION : FROM CONDUCTOR SIDE TO STIFFENER FILM SIDE.
RECOMMENDED CONDUCTOR SPEC :
THICKNESS OF SOFT COPPER FOIL : 35 MICROMETER OR 50 MICROMETER

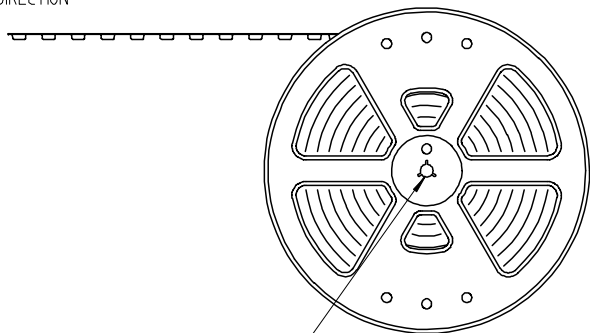
FPCについて:

補強フィルム材質はポリイミドを推奨致します。
接着剤は熱硬化接着剤を推奨致します。
ベースフィルムは25マイクロメートルを推奨致します。
ABOUT FPC
RECOMMENDED MATERIAL :
STIFFENER FILM : POLYIMIDE
BONDING AGENT : THERMOSETTING BONDING AGENT
RECOMMENDED THICKNESS :
BASE FILM : 25 MICROMETER

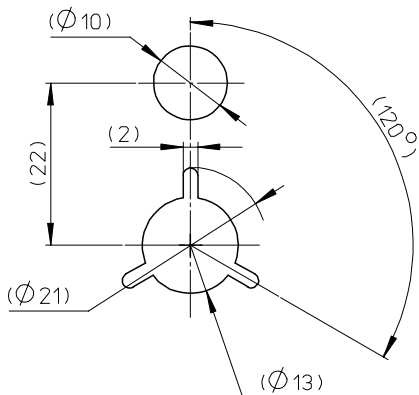
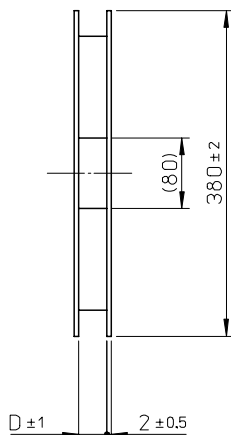
SEE SHEET 1 EC NO.: J2009-0003 DRWN: MWABEI 2008/07/08 CHKD: THARUYAMA 2008/07/09 APPR: NUKITA 2008/07/09	GENERAL TOLERANCES (UNLESS SPECIFIED)		DIMENSION STYLE MM ONLY	SCALE --	DESIGN UNITS METRIC	THIRD ANGLE PROJECTION
	10 UNDER	±---	DRAWN BY YKOBAYASHI 02	DATE 2006/07/21	TITLE 0.5FPC CONN. ZIF E/O HSG ASS'Y(H=2.5) -LEAD FREE-	
	10 OVER 30 UNDER	±---	CHECKED BY HIRATA	DATE 2006/07/21	MOLEX INCORPORATED	
	30 OVER	±---	APPROVED BY MSASAO	DATE 2006/07/21	MATERIAL NO. SEE SHEET 1	DOCUMENT NO. SD-502066-001
REV	DESCRIPTION	ANGULAR ±1 °	THIS DRAWING CONTAINS INFORMATION THAT IS PROPRIETARY TO MOLEX INCORPORATED AND SHOULD NOT BE USED WITHOUT WRITTEN PERMISSION			

引き出し方向

PULL OUT DIRECTION



"E"



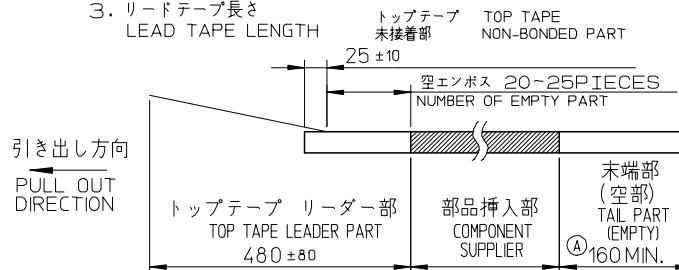
DETAIL "E"

NOTES

① 製品詳細寸法については図面 RSD/SD-502066-***を参照ください。
RE DETAILED DIMENSION, SEE RSD/SD-502066-***.

2. 梱包数量 : 2000個/リール
NUMBER OF CONNECTORS : 2000PCS/REEL

3. リードテープ長さ
LEAD TAPE LENGTH



4. 材料

MATERIAL

キャリアテープ : ポリプロピレン
CARRIER TAPE : POLYPROPYLENE

トップテープ : PET/PE

TOP TAPE : PET/PE

リール : PS<リサイクル材を含む>

REEL : POLYSTYRENE <RECYCLE MATERIAL CONTAINED>

502066-***93 MODEL NO.

REVISED EC NO: J2007-2306 DRWN: YKOBAYASHI 02/07/10 CHKD: 2007/02/13 APPR: HIRATA 2007/02/15	GENERAL TOLERANCES (UNLESS SPECIFIED)		DIMENSION STYLE MM ONLY	SCALE --	DESIGN UNITS METRIC	THIRD ANGLE PROJECTION
	10 UNDER	± ---	DRAWN BY YKOBAYASHI	DATE 02 2005/12/14	TITLE 0.5 FPC CONN ZIF (E/O) EMBSTP PKG (HGT=2.5) -LEAD FREE-	
	10 OVER 30 UNDER	± ---	CHECKED BY HIRATA	DATE 2005/12/14	MOLEX INCORPORATED	
	30 OVER	± ---	APPROVED BY MSASAO	DATE 2005/12/14	MATERIAL NO.	DOCUMENT NO. SD-502066-002
	ANGULAR ±1 °	DRAFT WHERE APPLICABLE MUST REMAIN WITHIN DIMENSIONS	SIZE A3	SHEET NO. 1 OF 2		

10 9 8 7 6 5 4 3 2 1

F

E

D

C

B

A

F

E

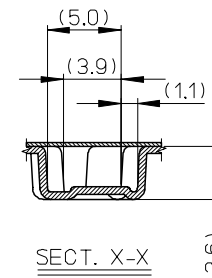
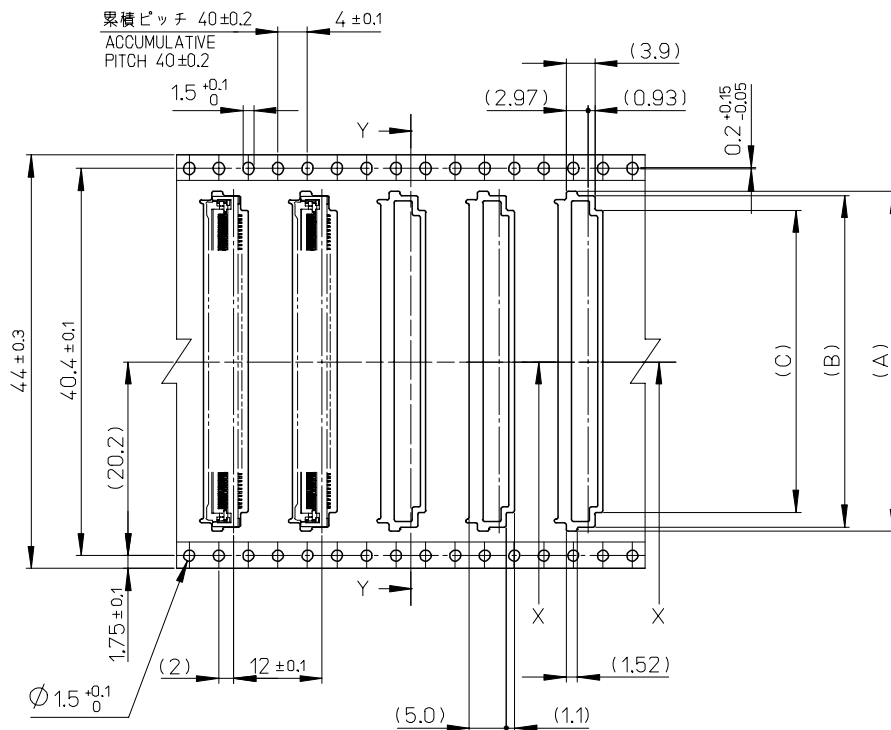
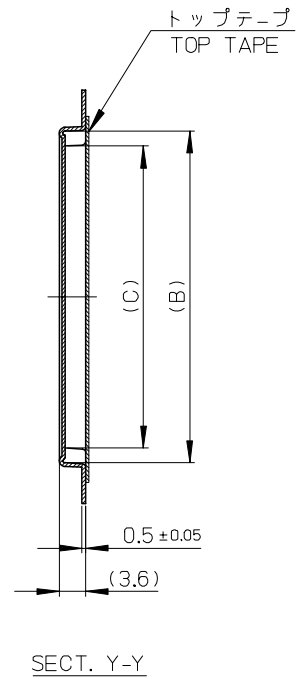
D

C

B

A

引き出し方向
PULL OUT
DIRECTION



44	44.4	25.9	29.9	31	502066-5093	50	
44	44.4	20.9	24.9	26	502066-4093	40	
キャリアテープ幅 CARRIER TAPE WIDTH		D	C	B	A	製品番号 MATERIAL NO.	極数 CIRCUIT

MODEL NO.	502066-**93	DIMENSION STYLE	MM ONLY	SCALE	--	DESIGN UNITS	METRIC	THIRD ANGLE PROJECTION
-----------	-------------	-----------------	---------	-------	----	--------------	--------	------------------------

SEE SHEET 1 EC NO: J2007-2306 DRWN: YKOBAYASHI 02/2007/02/10 CHKD: 2007/02/13 APPR: HIRATA 2007/02/15	GENERAL TOLERANCES (UNLESS SPECIFIED)	
	10 UNDER	+---
	10 OVER 30 UNDER	±---
	30 OVER	+---
	ANGULAR	±1 °
	DRAFT WHERE APPLICABLE MUST REMAIN WITHIN DIMENSIONS	

DRAWN BY YKOBAYASHI 02	DATE 2005/12/14	TITLE 0.5 FPC CONN ZIF (E/O) EMBSTP PKG (HGT=2.5) -LEAD FREE-
CHECKED BY HIRATA	DATE 2005/12/14	MOLEX INCORPORATED
APPROVED BY MSASAO	DATE 2005/12/14	
MATERIAL NO.	DOCUMENT NO. SD-502066-002	SHEET NO. 2 OF 2