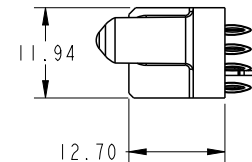
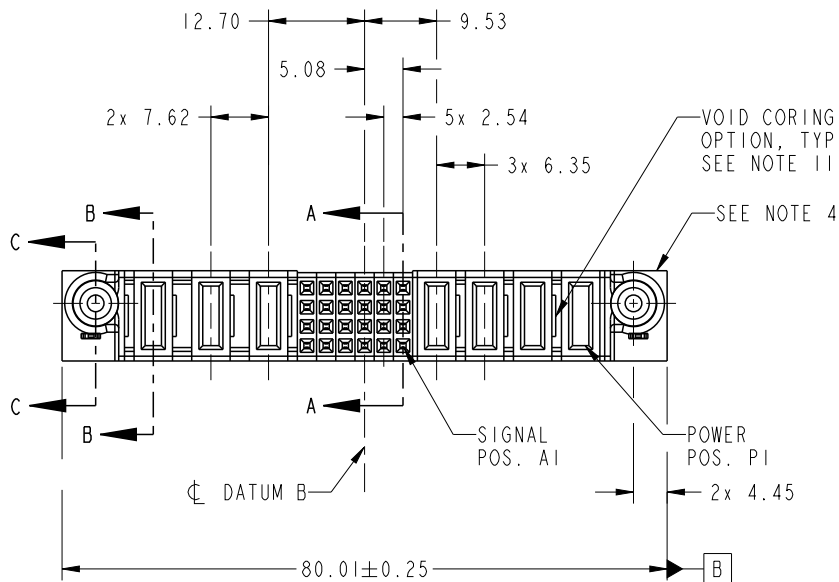


PRODUCT NO.	ROWS	POWER			SIGNAL							POWER				E1					
		E2	P7	P6	P5	6	5	4	3	2	1	P4	P3	P2	P1						
51940-540-- NOTE: 3	D C B A		PC	PC	PC	F	F	F	F	F	F	F	F	F	F	F	PC	PC	PC	PC	

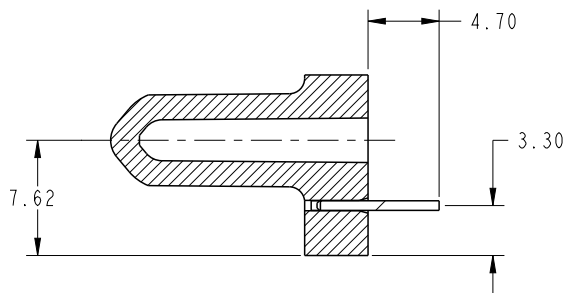
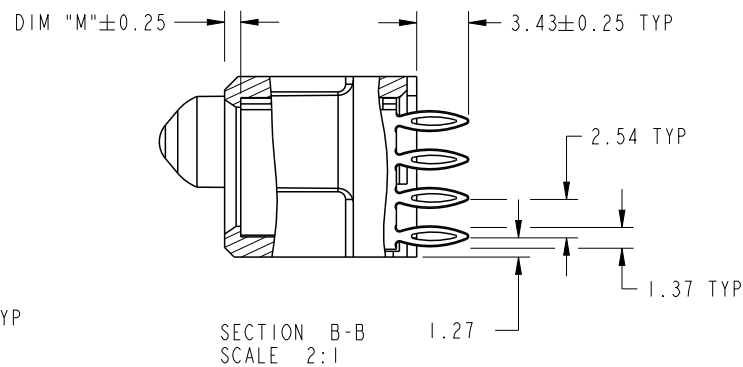
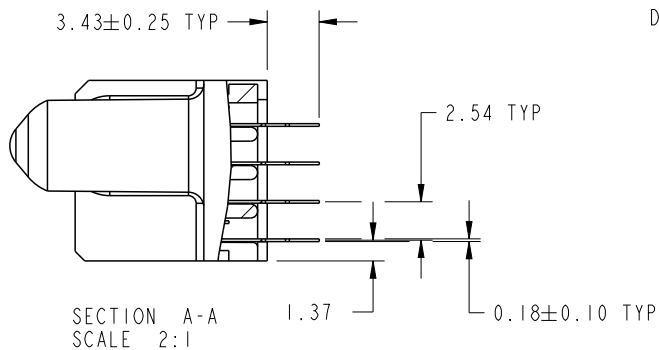


CODE	DIM "M" MATING LENGTH	CONTACT TYPE
PC	[1.07]	POWER
F	[N/A]	SIGNAL
HA	[N/A]	HOLD-DOWN

spec ref	*	dr	De-Ming Lu	2014/06/23	projection 	MM 	size	A4	scale	1:1
tolerance std	TOLERANCES UNLESS OTHERWISE SPECIFIED	eng	De-Ming Lu	2014/07/03			ecn no	-		
SEE NOTE		chr	-	-						
surface	<input checked="" type="checkbox"/> linear <input type="checkbox"/> angular	appr	Pei-Ming Zheng	2014/07/03	product family	PwrBlade	rel level	Released		
		0.X	±0.5		title	4P + 24S + 3ACP	dwg no	51940-540	rev	A
		0.XX	±0.25							
	0.XXX	±0.1								
	angular	0°	±2°	www.fci.com	cat. no.	*	Product - Customer Drw	sheet 1 of 4		

PRODUCT NUMBER

51940-540__
NOTE: 3



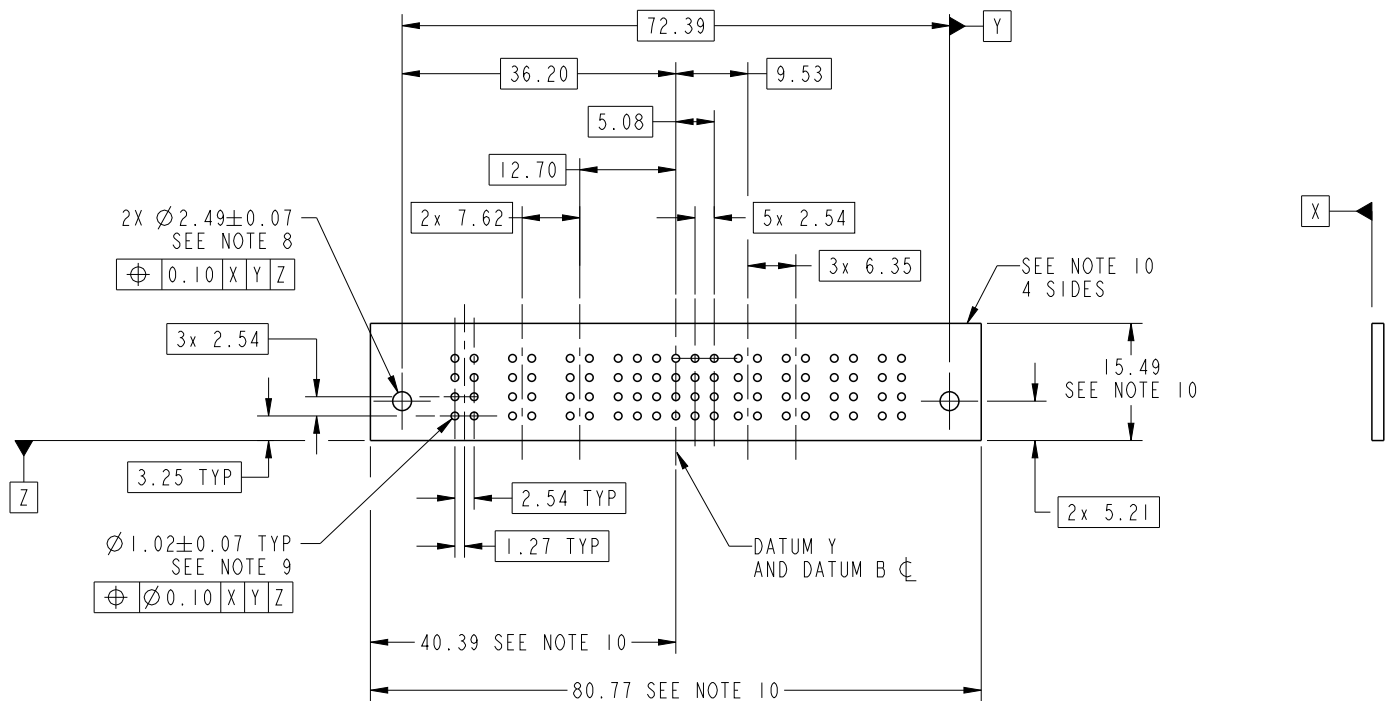
dr	De-Ming Lu	2014/06/23	projection 	MM 	size	A4	scale	1:1
eng	De-Ming Lu	2014/07/03			ecn no	-		
chr	-	-			rel level	Released		
appr	Pei-Ming Zheng	2014/07/03	product family	PwrBlade	rev	A		
		title 4P + 24S + 3ACP VERTICAL PRESS-FIT RECEPT	dwg no 51940-540	cat. no. *	Product - Customer Drw	sheet 2 of 4		



Copyright FCI.

PRODUCT NUMBER

51940-540__
NOTE: 3



RECOMMENDED PCB LAYOUT

dr	De-Ming Lu	2014/06/23	projection 	MM 	size	A4	scale	1:1
eng	De-Ming Lu	2014/07/03			ecn no	-		
chr	-	-			rel level	Released		
appr	Pei-Ming Zheng	2014/07/03	product family	PwrBlade	rev	A		
	title	4P + 24S + 3ACP VERTICAL PRESS-FIT RECEPT		dwg no	51940-540			
www.fci.com	cat. no.	*	Product - Customer Drw		sheet 3 of 4			

PRODUCT NUMBER

51940-540__
NOTE: 3

NOTES:

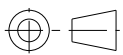
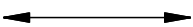

1. DIMENSIONS AND TOLERANCES ARE IN ACCORDANCE WITH ASME Y14.5M, 1994 UNLESS OTHERWISE SPECIFIED.

CONNECTOR NOTES:

- ② HOUSING MATERIAL: UL 94 V-0 GLASS FILLED HIGH-TEMP THERMOPLASTIC
POWER CONTACT MATERIAL: COPPER ALLOY
SIGNAL PIN MATERIAL: COPPER ALLOY
- 3. SEE ITEM 7 & 8 IN PRINT 10064183 FOR PLATING SPEC OF 51940-540 AND 51940-540LF RESPECTIVELY.
- ④ MANUFACTURER'S NAME, DATE CODE AND OPTIONAL P/N TO APPEAR ON THIS SURFACE. THE MARK CAN BE OMITTED IF THERE IS NOT ENOUGH SPACE ON THIS SURFACE.
- 5. PRODUCT SPECIFICATION GS-12-149.
APPLICATION SPECIFICATION BUS-20-067.
- 6. PACKAGED IN TRAYS.
- PCB NOTES:
- 7. ALL HOLE DIAMETERS ARE FINISHED HOLE SIZE.
- ⑧ MOUNTING HOLES, WHERE APPLICABLE, ARE UNPLATED.
- ⑨ $\varnothing 1.151 \pm 0.025$ DRILLED HOLES PLATED WITH
0.008 MIN SnPb OR Sn OVER 0.03
TO 0.08 Cu PLATING TO ACHIEVE
 $\varnothing 1.02 \pm 0.07$ HOLE.
- ⑩ CONNECTOR KEEP-OUT ZONE.
- 11. THE VOID CORING IN BETWEEN POWER MODULES, SIGNAL MODULES AND END MODULES ARE OPTIONAL AND THE SHAPE MAY BE DIFFERENT FOR OPTIMIZE THE MOLDING PROCESS. THE VOID CORING WILL NOT EFFECT TO PRODUCT FUNCTION.



Copyright FCI.

dr	De-Ming Lu	2014/06/23	projection 	MM 	size	A4	scale	1:1	
eng	De-Ming Lu	2014/07/03			ecn no	-			
chr	-	-							
appr	Pei-Ming Zheng	2014/07/03	product family	PwrBlade	rel level	Released			
	title	4P + 24S + 3ACP VERTICAL PRESS-FIT RECEPT			dwg no	51940-540		rev	A
www.fci.com	cat. no.	*	Product - Customer Drw			sheet 4 of 4			