

4

3

2

1

THIS DRAWING IS UNPUBLISHED.

RELEASED FOR PUBLICATION

.19

LOC AP

DIST -

REVISIONS

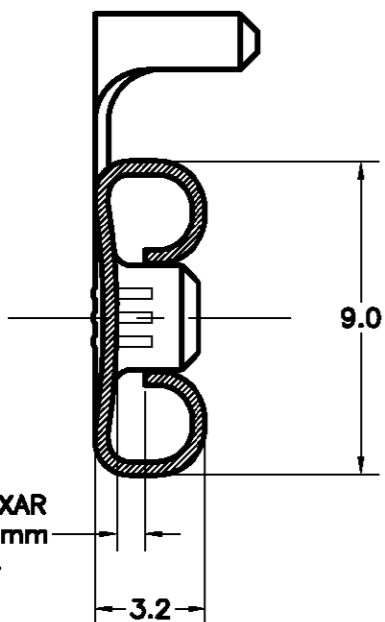
© COPYRIGHT 19

BY AMP INCORPORATED. ALL RIGHTS RESERVED.

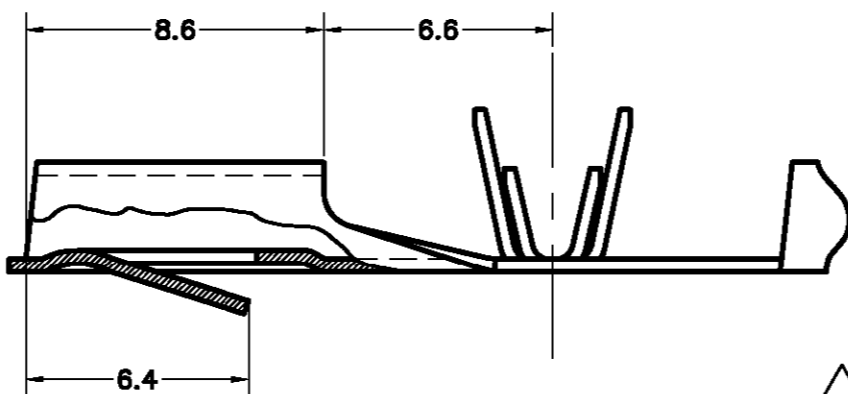
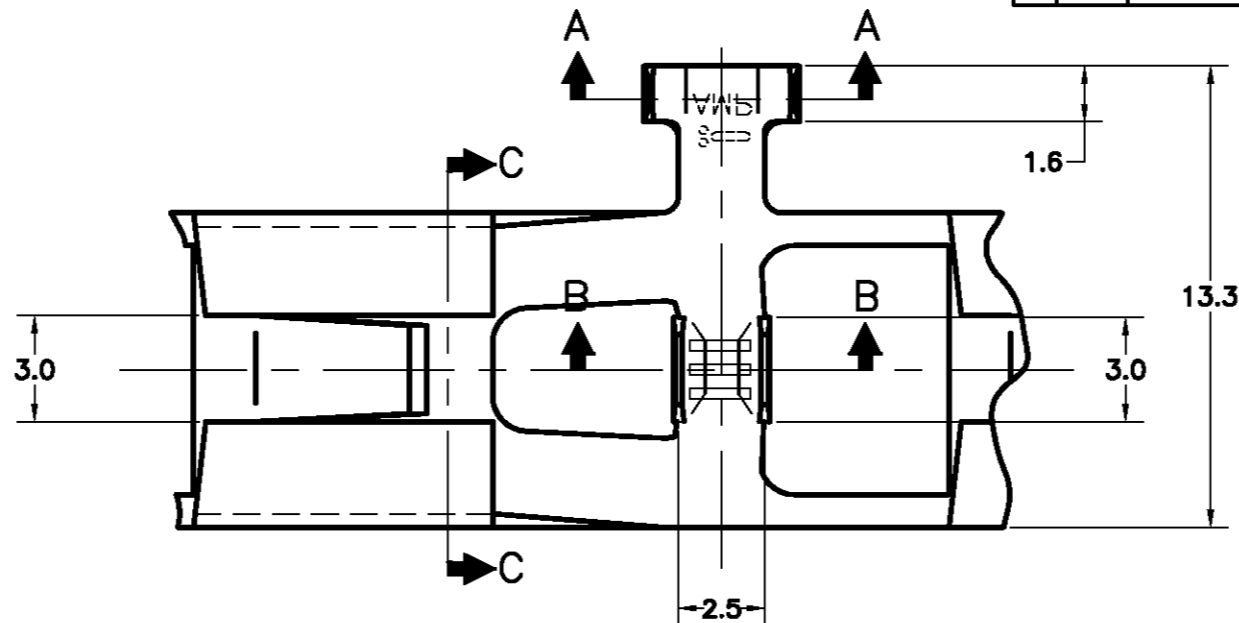
CAD
AutoCAD
DO NOT REVISE
EXCEPT BY CAD

P	LTR	DESCRIPTION	DATE	DWN	APVD
0		RELEASED	25JUL01	HL	PLF
01		REVISED PER ECO-09-026444	27NOV09	KK	AEG

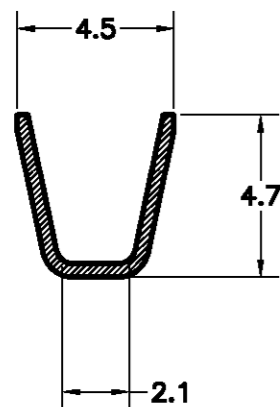
DO NOT SCALE



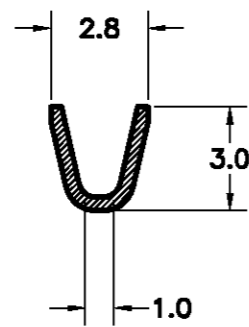
CORTE C-C
SECTION C-C



1 OBSOLETE PARTS: OBSOLETE CIS STREAMLINING
PER D.RENAUD/D.SINISI



CORTE A-A
SECTION A-A



CORTE B-B
SECTION B-B

OBSOLETE
1

LOOSE PIECE	FINISH	MATERIAL	PART NUMBER
1-880681-4	ESTANHADO/TINNED	BRONZE FOSF./PHOS. BRONZE	880681-4
1-880681-3	--/--	BRONZE FOSF./PHOS. BRONZE	880681-3
1-880681-2	ESTANHADO/TINNED	LATÃO/BRASS	880681-2
1-880681-1	--/--	LATÃO/BRASS	880681-1

THIS DRAWING IS A CONTROLLED DOCUMENT.

DWN H.LIVERARO 25JUL2001

CHK P.L.FARIA 25JUL2001

APVD J.A.MARSON 25JUL2001

AMP AMP do Brasil Ltda.
São Paulo, Brasil

DIMENSIONS: MM

TOLERANCES UNLESS OTHERWISE SPECIFIED:

0 PLC	±-
1 PLC	±0.3
2 PLC	±-
3 PLC	±-
4 PLC	±-
ANGLES	±1°

PRODUCT SPEC

108-20020

APPLICATION SPEC

114-2065

NAME .312 SERIES FLAG
FASTIN-FASTON REC.

INSUL. DIA. RANGE	2.0-3.3mm
-------------------	-----------

WIRE RANGE	0.5-1.0mm ²
------------	------------------------

MATERIAL	SEE TABLE
----------	-----------

FINISH	SEE TABLE
--------	-----------

WEIGHT	NA
--------	----

SIZE	CAGE CODE	DRAWING NO	RESTRICTED TO
A3	00779	C-880681	-

CUSTOMER DRAWING SCALE 1:1 SHEET 1 OF 1 REV 01