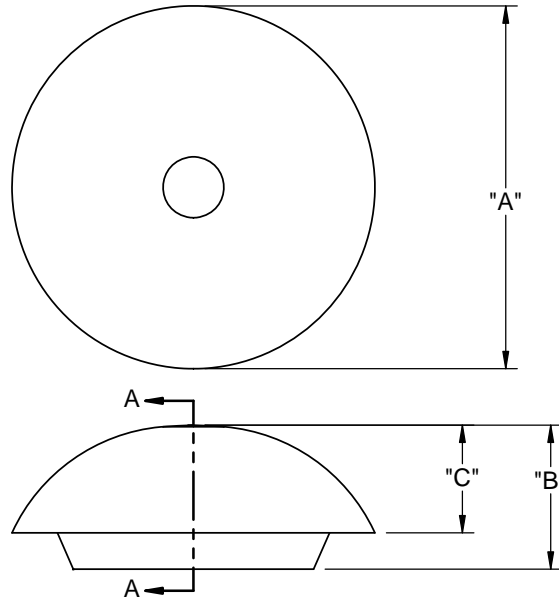


PART NO.	HEAD DIAMETER "A"	OVERALL HEIGHT "B"	HEAD HEIGHT "C" REF	MOUNTING HOLE DIAMETER
LTP-1	1.26 [32]	.500 [12.7]	.374 [9.5]	.875±.005 [22.23±0.13]
LTP-2	1.54 [39.2]	.539 [13.7]	.413 [10.5]	1.093±.005 [27.76±0.13]
LTP-3	1.82 [46.2]	.579 [14.7]	.433 [11]	1.375±.005 [34.93±0.13]
LTP-4	.92 [23.4]	.449 [11.4]	.287 [7.3]	.500±.010 [12.7±0.25]
LTP-5	1.15 [29.2]	.512 [13]	.350 [8.9]	.750±.010 [19.1±0.25]
LTP-6	1.41 [35.8]	.559 [14.2]	.398 [10.1]	1.000±.010 [25.4±0.25]
LTP-7	1.09 [27.6]	.445 [11.3]	.319 [8.1]	.625±.005 [15.88±0.13]



- NOTES:
 1. MATERIAL: SILICONE RUBBER UL 94 V-0 (RMS-398)
 2. COLOR: BLACK
 3. MAXIMUM PANEL THICKNESS; .125 [3.2]

H	ADDED LTP-7, SEE CO 200716	SK	10/03/11
G	SEE CO 200362 FOR CHANGES	SK	05/11/09
F	SEE CO 200340 FOR CHANGES	SK	02/13/09
E	SEE CO 200329 FOR CHANGES	SK	02/19/09
D	SEE CO 200303 FOR CHANGES	SK	01/06/09
C	SEE ECN #1298 FOR CHANGES	SK	03/16/07
B	SEE ECN #1294 FOR CHANGES	SK	03/07/07
A	RELEASED FOR PRODUCTION	SK	08/31/06
REV.	DESCRIPTION	ENGR.	DATE

TITLE: LIQUID TIGHT PLUG				DWG IN IN [MM]		FINAL		PRINT TYPE	
CREATED USING SOLIDWORKS	FILE #: LTP	DWN: BR	APP: BR						
TOLERANCES UNLESS NOTED XX=±.010 .XXX=±.005 FRAC.=±1/64 ANG.=±1°	SHEET: 1 OF 1	SHEET SIZE: A	DT: 06/06/06	CHKD: DJZ	PART #		PRINT TYPE		
	RE: RICHCO, INC.		RICHCO, INC. ENG@RICHCO-INC.COM (773) 539-4060		SEE TABLE		CA		