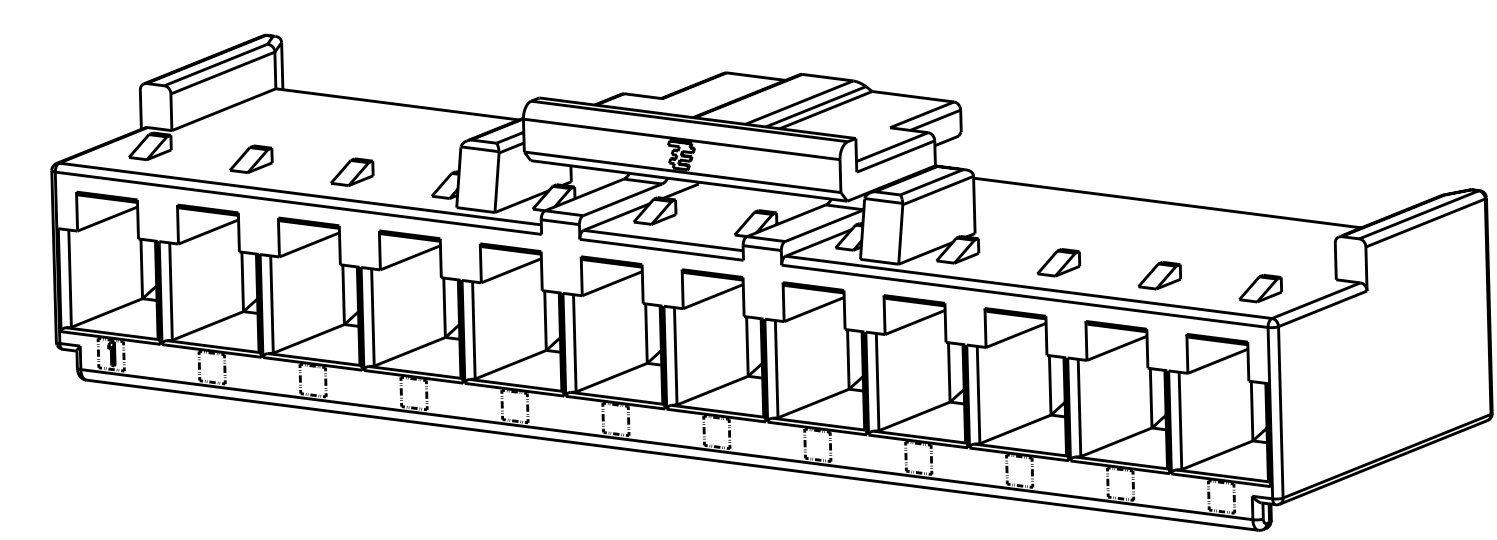
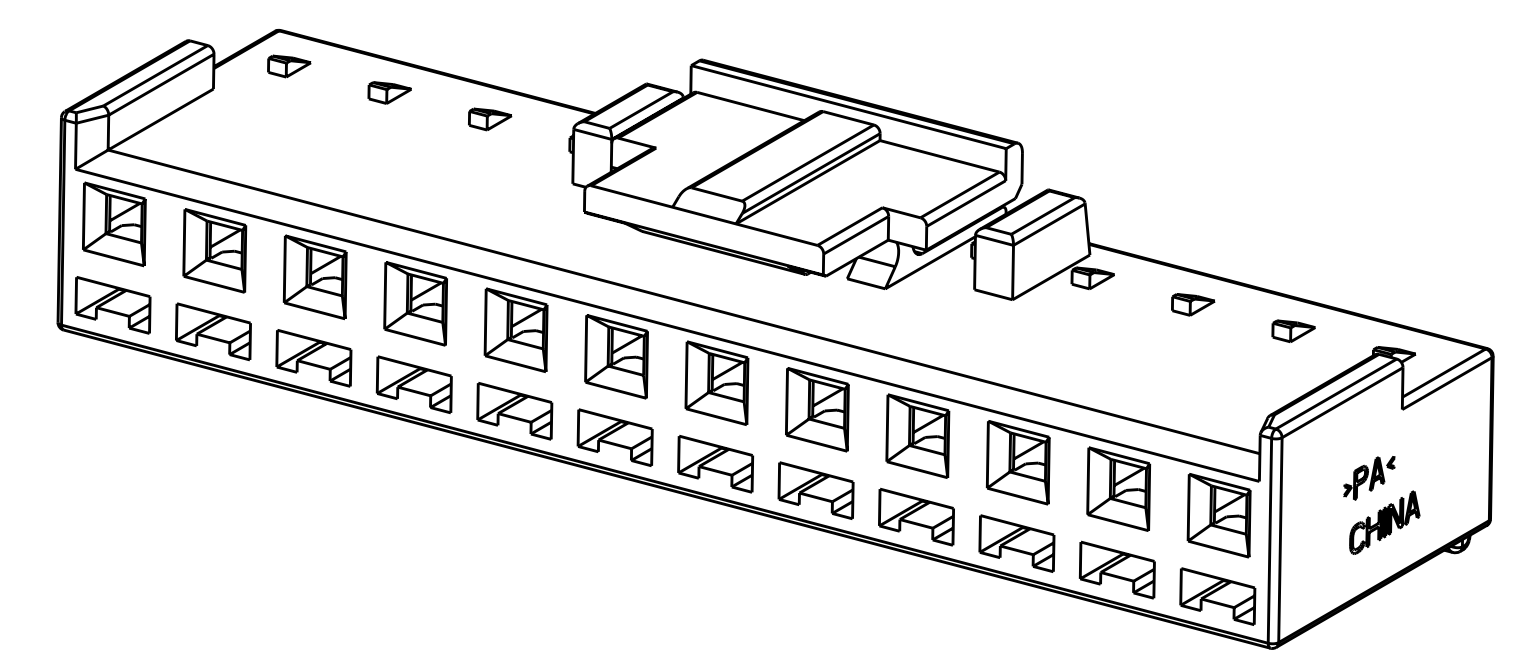


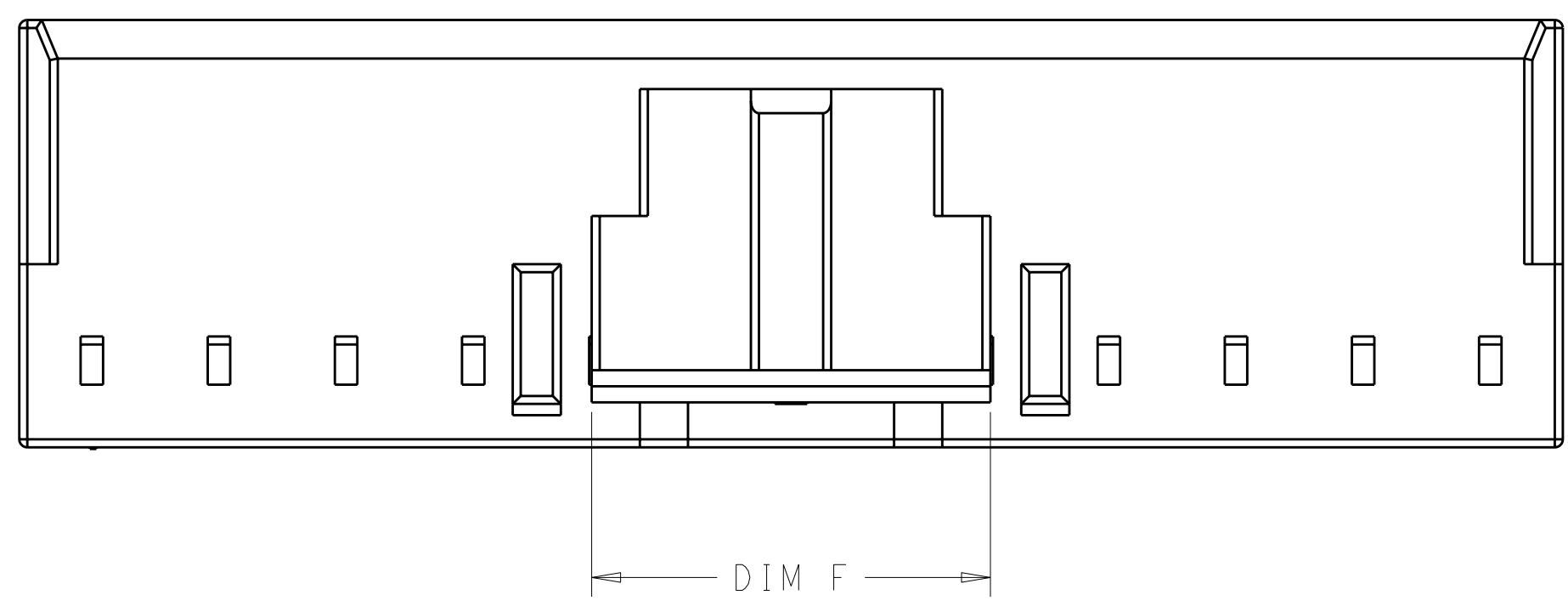
LOC	DIST	REVISIONS			
P	LTB	DESCRIPTION	DATE	DWN	APVD
GP	00	B	REVISED PER ECO-12-004842	14MAR2012	KH SM



ISOMETRIC REAR VIEW  
(12 POSITION SHOWN)

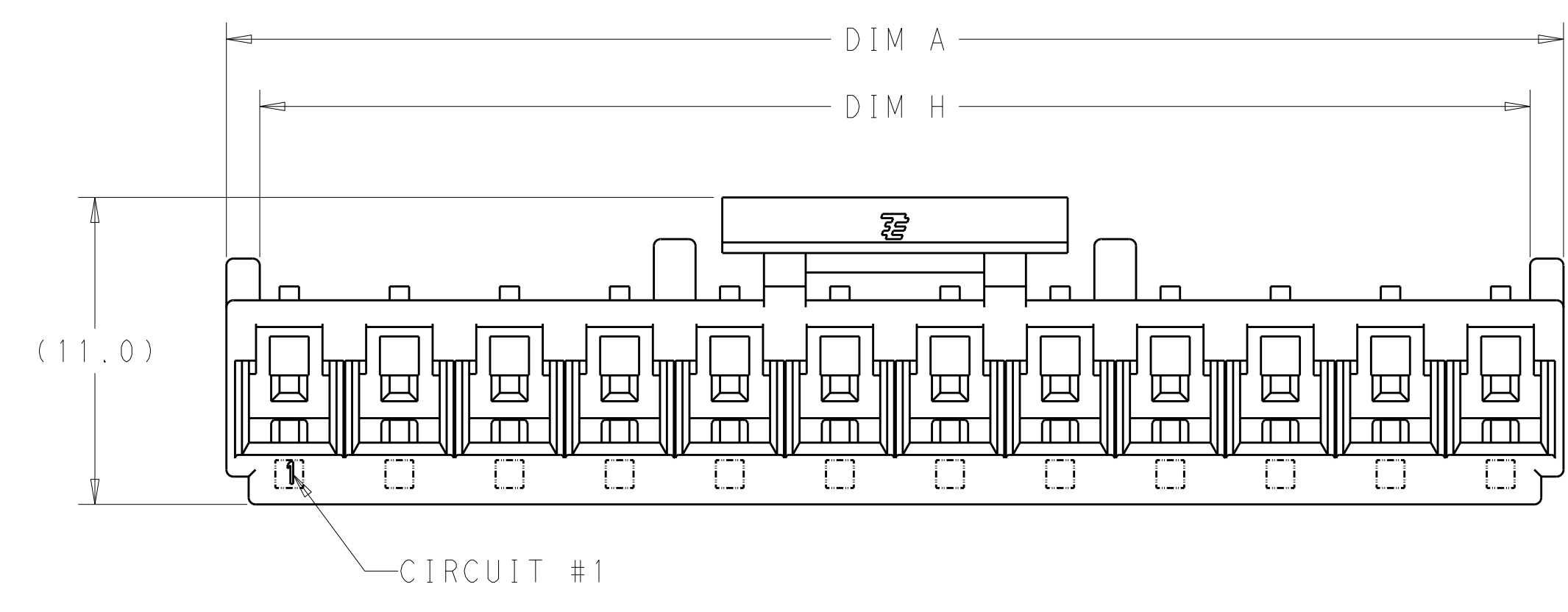


ISOMETRIC MATING FACE VIEW  
(12 POSITION SHOWN)



DIM F

- ⚠ MATERIAL: NYLON, UL94V-0 FLAME RETARDENT, COLOR: NATURAL
2. HOUSINGS TO USE "BREAKWAY RETAINER", P/N:1-2132782-2 (12 POSN), 12 POSITION PART TO BE SEPARATED AT APPROPRIATE NOTCHES TO FIT 3 POSITION THRU 11 POSITION HOUSINGS.

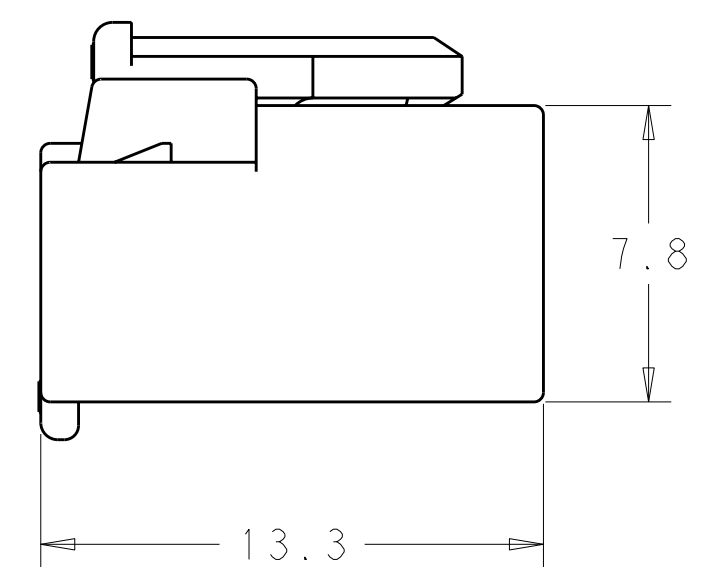


DIM A

DIM H

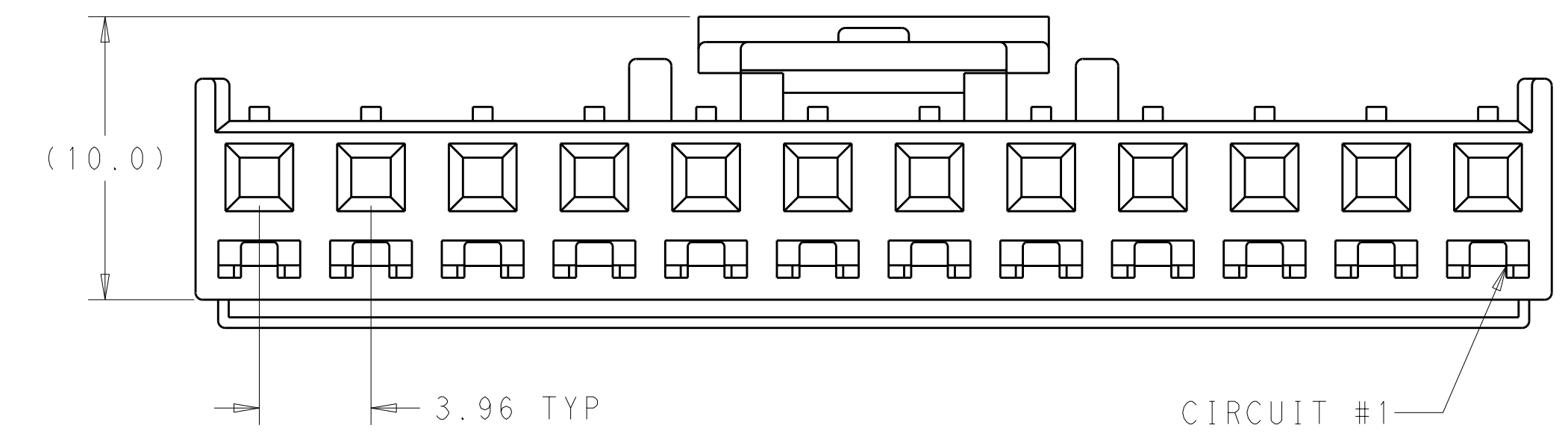
(11.0)

CIRCUIT #1



7.8

13.3



(10.0)

3.96 TYP

CIRCUIT #1

45.68	12.42	48.08	12	1-2132781-2
41.72	8.46	44.12	11	1-2132781-1
37.76	12.42	40.16	10	1-2132781-0
33.80	8.46	36.20	9	2132781-9
29.84	12.42	32.24	8	2132781-8
25.88	8.46	28.28	7	2132781-7
21.92	12.42	24.32	6	2132781-6
17.96	8.46	20.36	5	2132781-5
14.36	12.42	16.40	4	2132781-4
10.40	8.46	12.44	3	2132781-3
DIM H	DIM F	DIM A	NO. OF POSI.	PART NUMBER

THIS DRAWING IS A CONTROLLED DOCUMENT.

DWN: G. PETERS 09FEB2010  
 CHK: E. HOWARD 09FEB2010  
 APVD: S. FLICKINGER 09FEB2010

TE Connectivity

NAME: RECEPTACLE HOUSING, ECONOMY POWER II, 3.96 CENTERLINE W/ RETAINING FEATURES

SIZE: A100779 CAGE CODE: 2132781 DRAWING NO: 2132781-1

RESTRICTED TO: CUSTOMER DRAWING

SCALE: 1:1 SHEET 1 OF 1 REV B