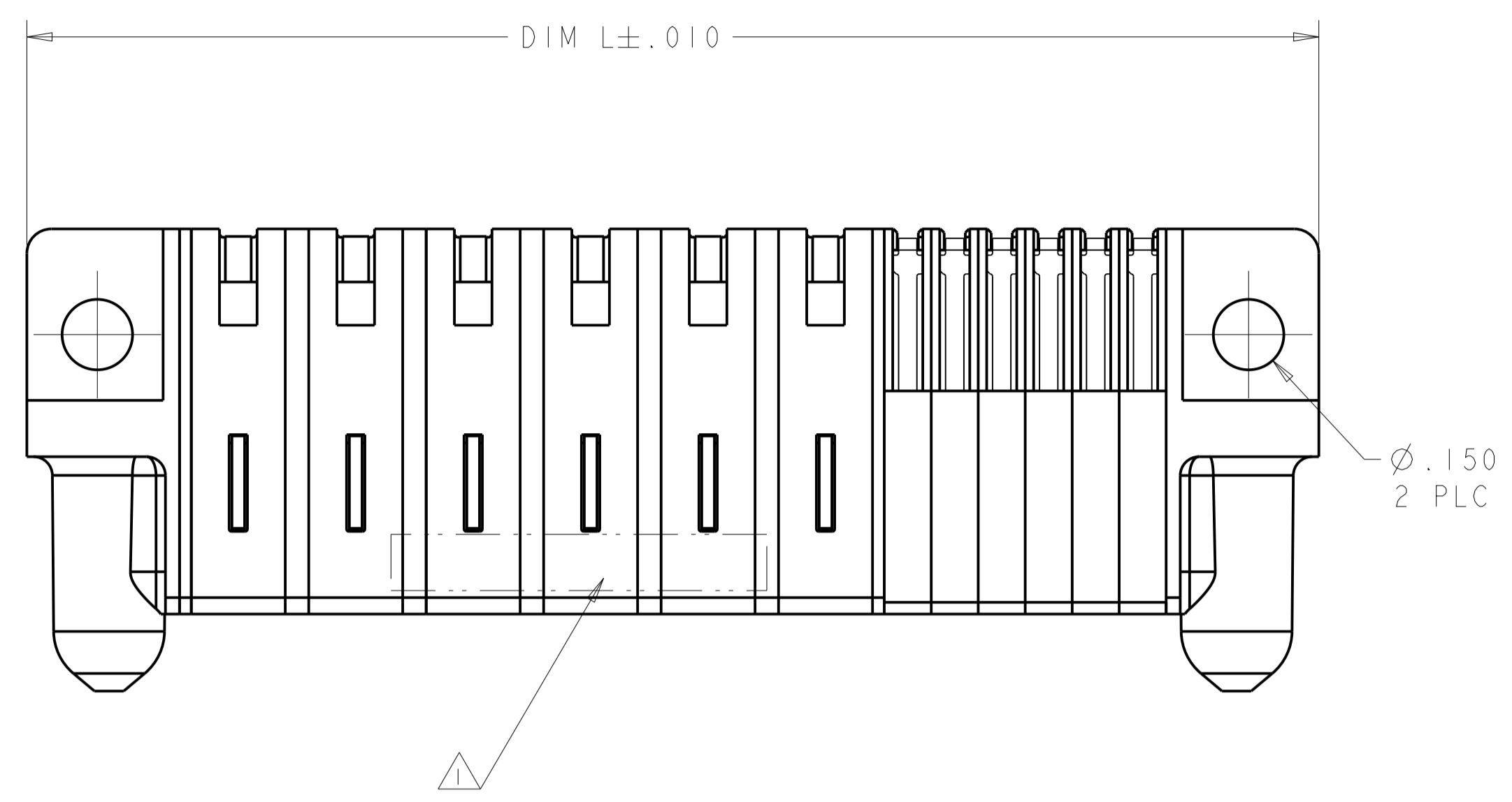
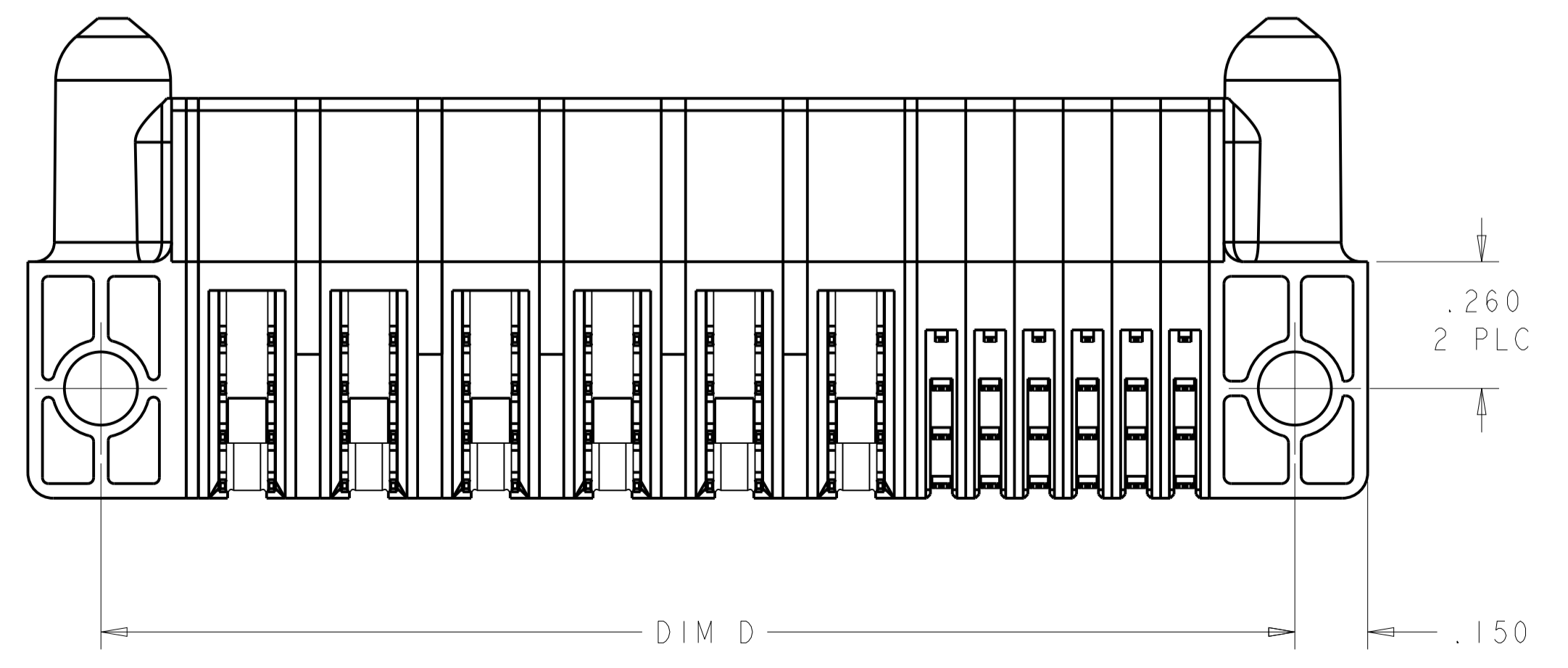
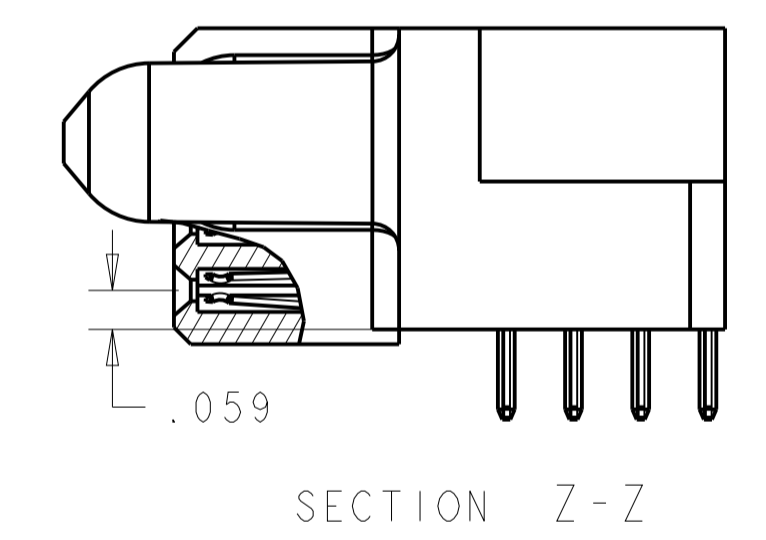
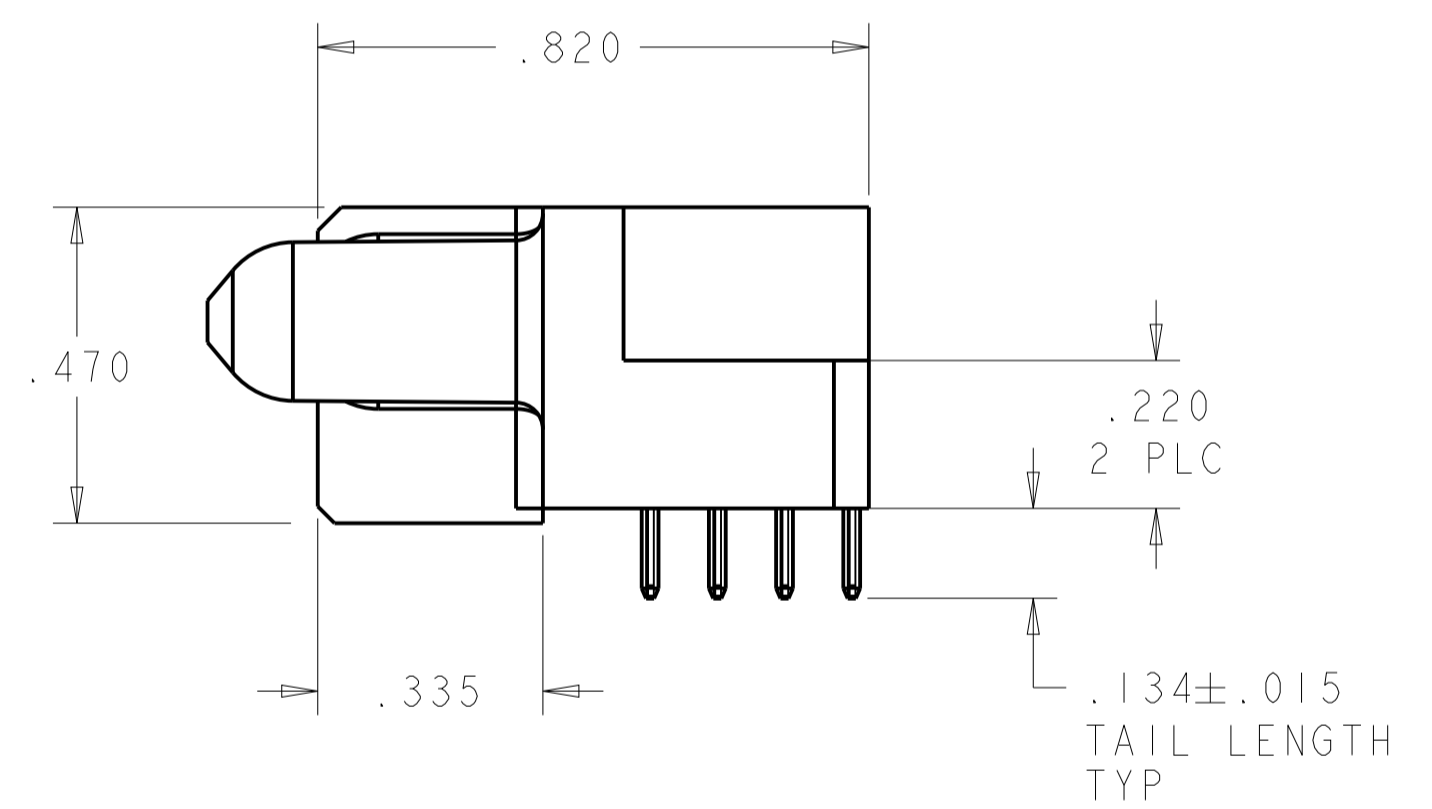
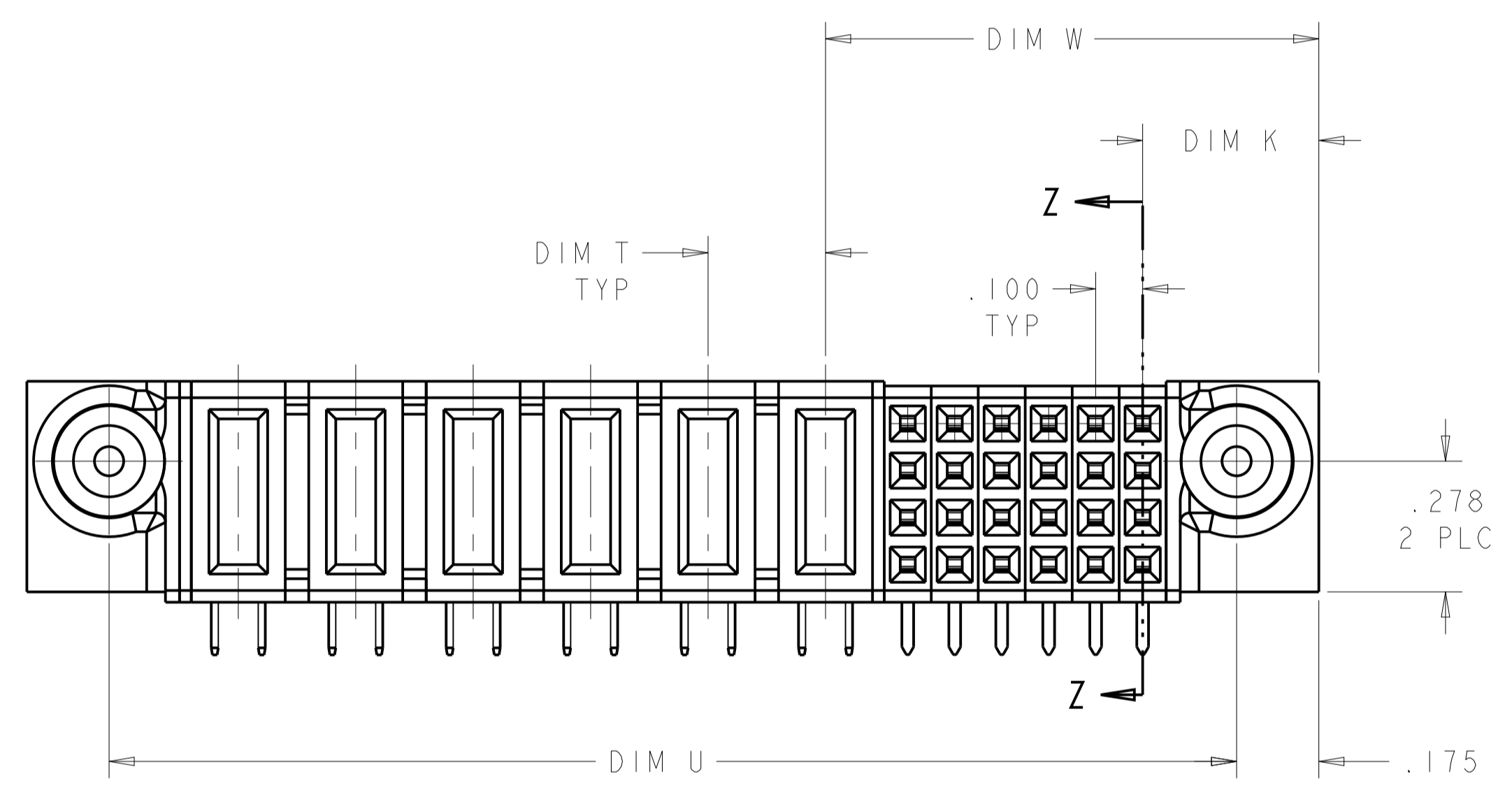


LOC		DIST		REVISIONS			
ES	00	P	LTN	DESCRIPTION	DATE	DWN	APVD
		A7		REVISE -6	17SEP2014	AL	SZ



- 1 "AMP", PART NUMBER AND DATE CODE TO BE MARKED IN AREA SHOWN.
- 2 MATERIAL: HOUSING - GLASS FILLED HIGH TEMP THERMO PLASTIC, UL94 V-0.
SIGNAL CONTACT - HIGH CONDUCTIVITY COPPER ALLOY
POWER CONTACT - HIGH CONDUCTIVITY COPPER ALLOY
- 3 CONTACT PLATING: NOBLE METAL PLATING ON CONTACT FUNCTIONAL AREA OF POWER AND SIGNAL CONTACTS
- 4 MECHANICAL CONNECTOR KEEP OUT ZONE.
- 5 DATUM AND BASIC DIMENSIONS ESTABLISHED BY CUSTOMER.
- 6 PCB - ALL HOLE DIAMETERS ARE FINISHED HOLE SIZES
- 7 PCB - $.0453 \pm .0010$ DRILLED HOLES PLATED WITH $.0003$ MIN Sn OVER $.001$ TO $.003$ Cu PLATING TO ACHIEVE A $.040$ DIAMETER HOLE



DIM D	DIM U	DIM T	DIM W	DIM K	DIM L	DESCRIPTION	PART NUMBER
1.750	1.700	-	-	.375	2.050	56S	6450361-6
1.650	1.600	.250	0.750	.375	1.950	12S + 4P	6450361-5
6.050	6.000	.250	1.650	.375	6.350	48S + 18P	6450361-4
1.350	1.300	.250	.950	.375	1.650	20S + 2P	6450361-3
2.450	2.400	.250	1.050	.375	2.750	24S + 6P	6450361-1

THIS DRAWING IS A CONTROLLED DOCUMENT. DWN C.ZHOU 26FEB2009
 CHK S.ZHAO 26FEB2009
 APVD S.ZHAO

DIMENSIONS: INCHES
 TOLERANCES UNLESS OTHERWISE SPECIFIED:
 0 PLC ±
 1 PLC ±.01
 2 PLC ±.01
 3 PLC ±.005
 4 PLC ±.0020
 ANGLES ±.020

MATERIAL: 2 FINISH: 3

Customer Drawing

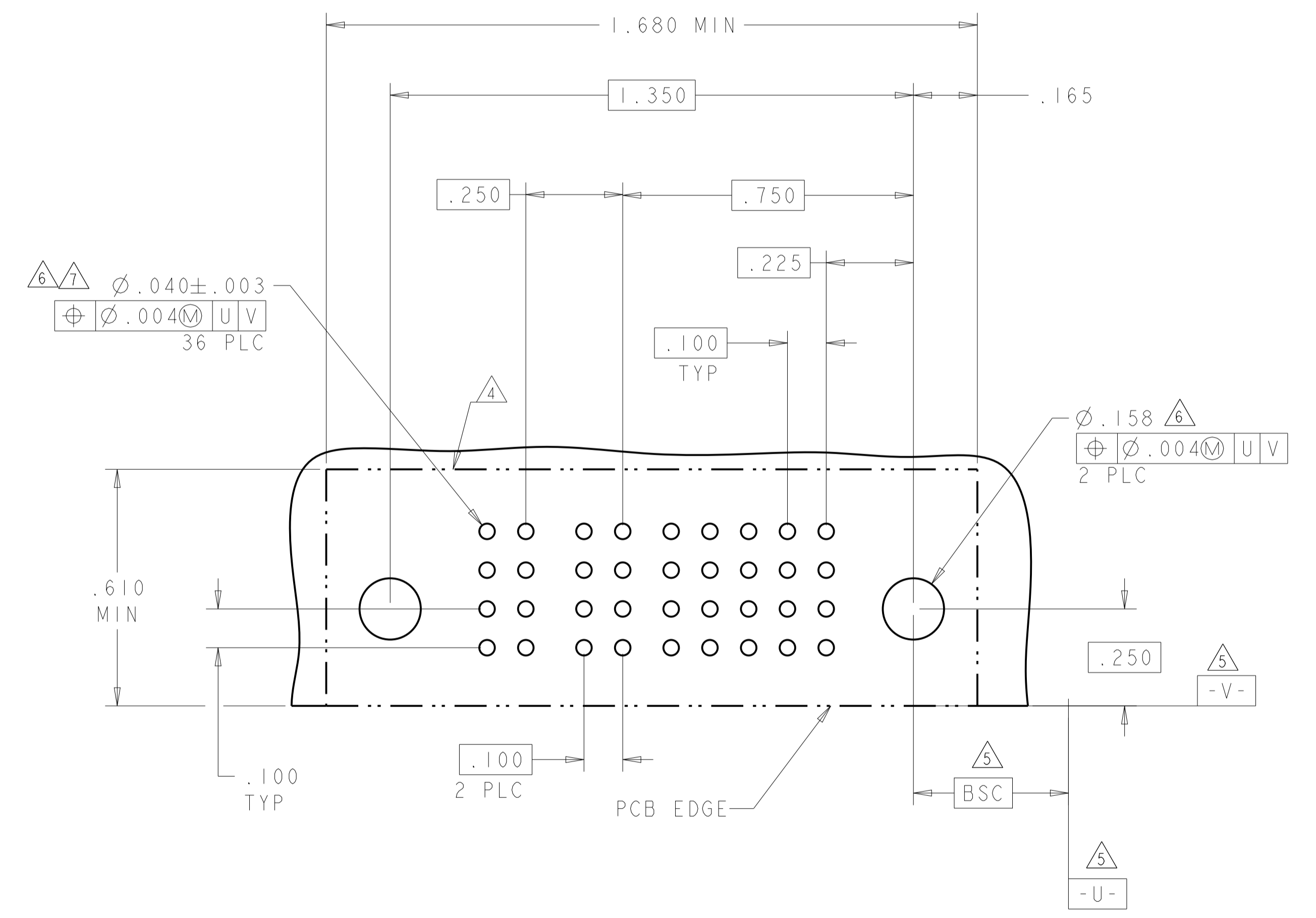
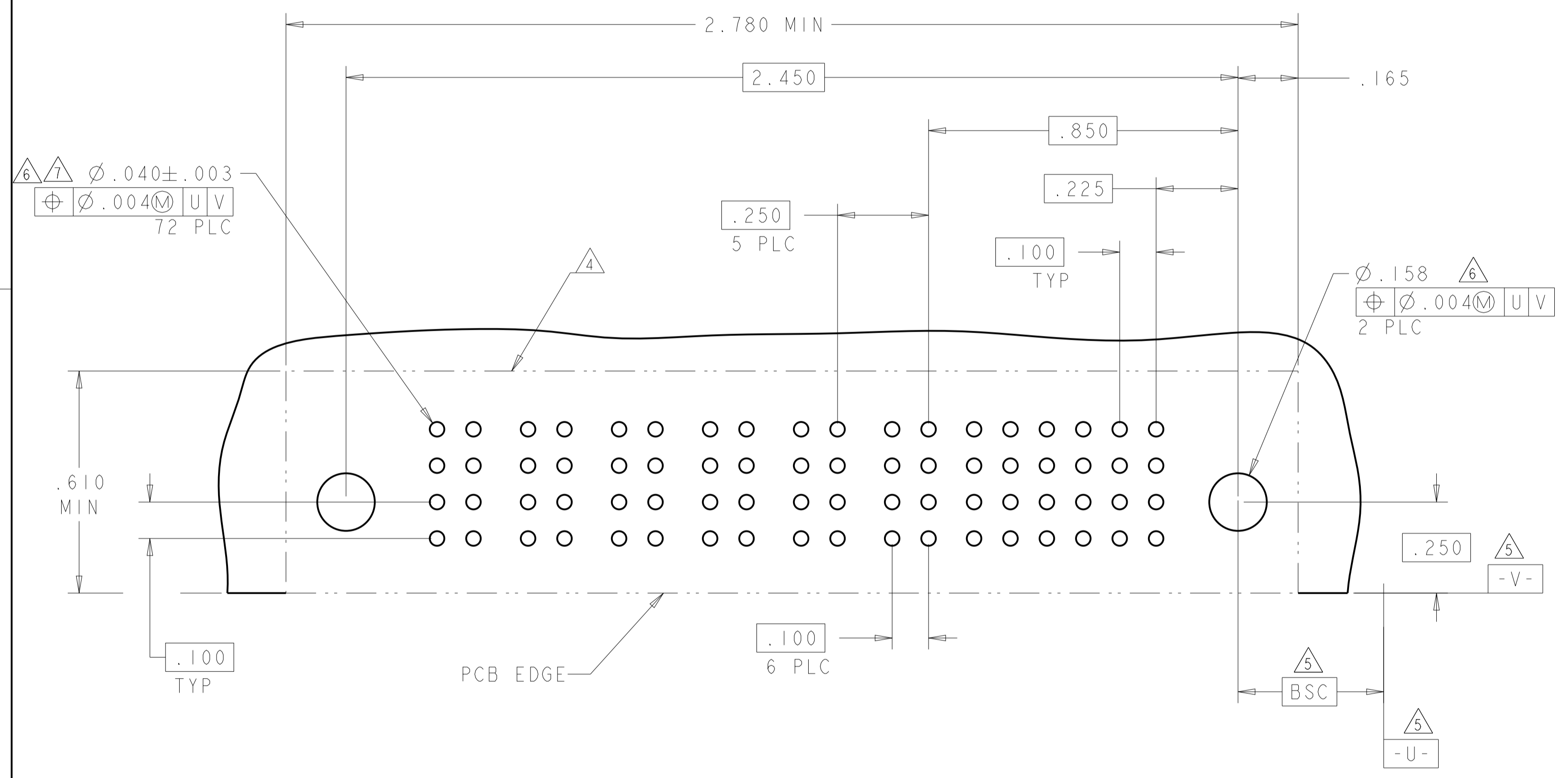
SCALE 4:1 SHEET 1 OF 4 REV A7

TE Connectivity
 NAME: RIGHT ANGLE RECEPTACLE ASSEMBLY WITH GUIDES, SOLDER TYPE MULTI-BEAM XL
 SIZE: 114-13038
 WEIGHT: A100779
 CAGE CODE: 6450361

LOC	DIST	REVISIONS			
ES	00	REV	DATE	BY	APPV
		1			
		SEE SHEET 1			

PART NUMBER	ROWS	POWER						SIGNAL					
		P6	P5	P4	P3	P2	P1	6	5	4	3	2	1
6450361-1	D C B A	RM	RM	RM	RM	RM	RM	H	H	H	H	H	H
								G	G	G	G	G	G
								F	F	F	F	F	F
								E	E	E	E	E	E
24S + 6P													

PART NUMBER	ROWS	POWER		SIGNAL				
		P2	P1	5	4	3	2	1
6450361-3	D C B A	RM	RM	H	H	H	H	H
				G	G	G	G	G
				F	F	F	F	F
				E	E	E	E	E
20S + 2P								



CODE	DESCRIPTION	ROW
H	SIGNAL CONTACT	D
G	SIGNAL CONTACT	C
F	SIGNAL CONTACT	B
E	SIGNAL CONTACT	A
RM	POWER CONTACT, STD	-
U		
V		
CONTACT		

THIS DRAWING IS A CONTROLLED DOCUMENT.

DIMENSIONS:	TOLERANCES UNLESS OTHERWISE SPECIFIED:	DWN	26FEB2009
INCHES	0 PLC ± .01	CHK	S. ZHAO
	2 PLC ± .01	APPV	S. ZHAO
	3 PLC ± .005	NAME	
	4 PLC ± .002	PRODUCT SPEC	108-1973
	ANGLES ± .020	APPLICATION SPEC	114-13038
MATERIAL	FINISH	SIZE	CAGE CODE DRAWING NO
		WEIGHT	114-13038
		SCALE	4:1
		SHEET	2 OF 4
		REV	A7

Customer Drawing

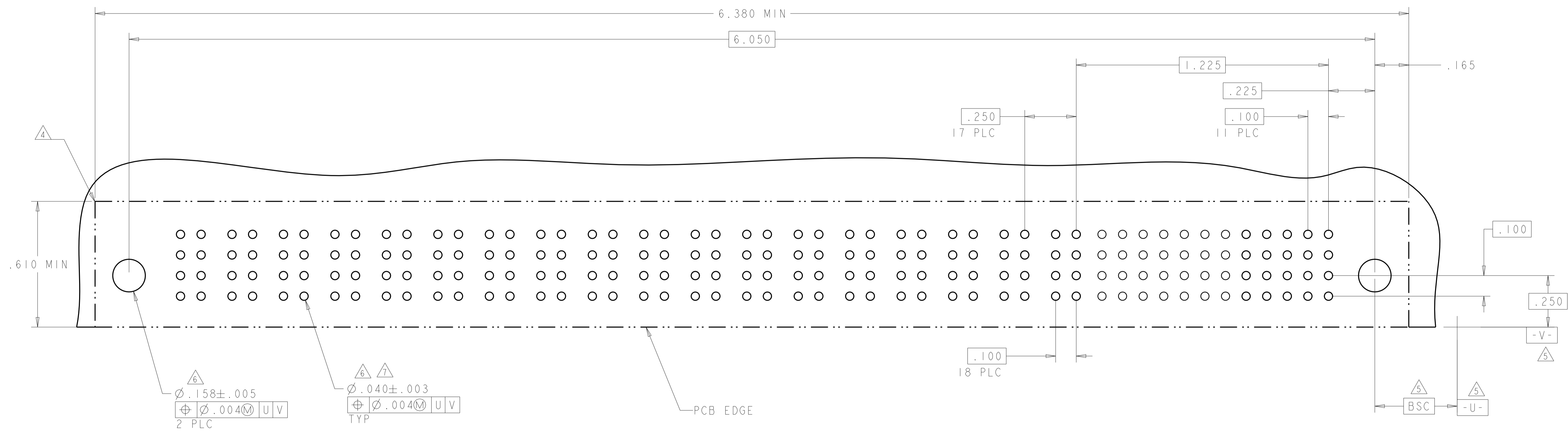
TE Connectivity

RIGHT ANGLE RECEPTACLE ASSEMBLY WITH GUIDES, SOLDER TYPE MULTI-BEAM XL

A100779 ©=6450361

LOC	DIST	REVISIONS			
P	LTN	DESCRIPTION	DATE	DWN	APVD
-	-	SEE SHEET 1	-	-	-

PART NUMBER	ROWS	POWER																		SIGNAL										
		P18	P17	P16	P15	P14	P13	P12	P11	P10	P9	P8	P7	P6	P5	P4	P3	P2	P1	12	11	10	9	8	7	6	5	4	3	2
6450361-4	D C B A	RM	RM	RM	RM	RM	RM	RM	RM	RM	RM	RM	RM	RM	RM	RM	RM	RM	RM	H	H	H	H	H	H	H	H	H	H	H
		RM	RM	RM	RM	RM	RM	RM	RM	RM	RM	RM	RM	RM	RM	RM	RM	RM	RM	G	G	G	G	G	G	G	G	G	G	G
		RM	RM	RM	RM	RM	RM	RM	RM	RM	RM	RM	RM	RM	RM	RM	RM	RM	RM	F	F	F	F	F	F	F	F	F	F	F
		RM	RM	RM	RM	RM	RM	RM	RM	RM	RM	RM	RM	RM	RM	RM	RM	RM	RM	E	E	E	E	E	E	E	E	E	E	E
48S + 18P																														



THIS DRAWING IS A CONTROLLED DOCUMENT.

DIMENSIONS: INCHES	TOLERANCES UNLESS OTHERWISE SPECIFIED: 0 PLC ±. 2 PLC ±.01 3 PLC ±.005 4 PLC ±.0020 ANGLES ±.7°	DWN C. ZHOU CHK S. ZHAO APVD S. ZHAO	26FEB2009 26FEB2009	TE Connectivity RIGHT ANGLE RECEPTACLE ASSEMBLY WITH GUIDES, SOLDER TYPE MULTI-BEAM XL	RESTRICTED TO
MATERIAL	FINISH	PRODUCT SPEC 108-1973	APPLICATION SPEC 114-13038		SIZE A1
SCALE 4:1		SHEET 3 OF 4		REV A7	

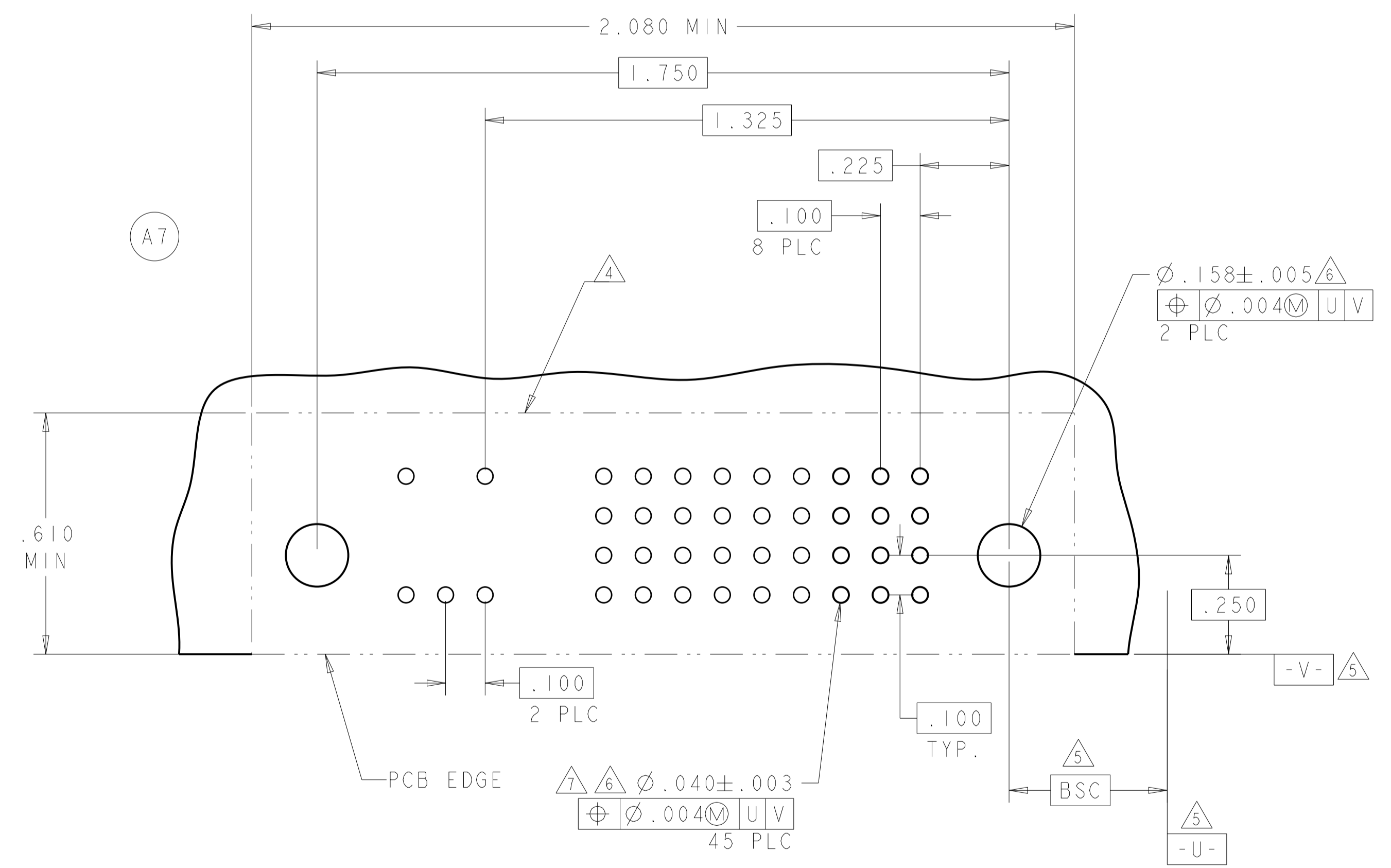
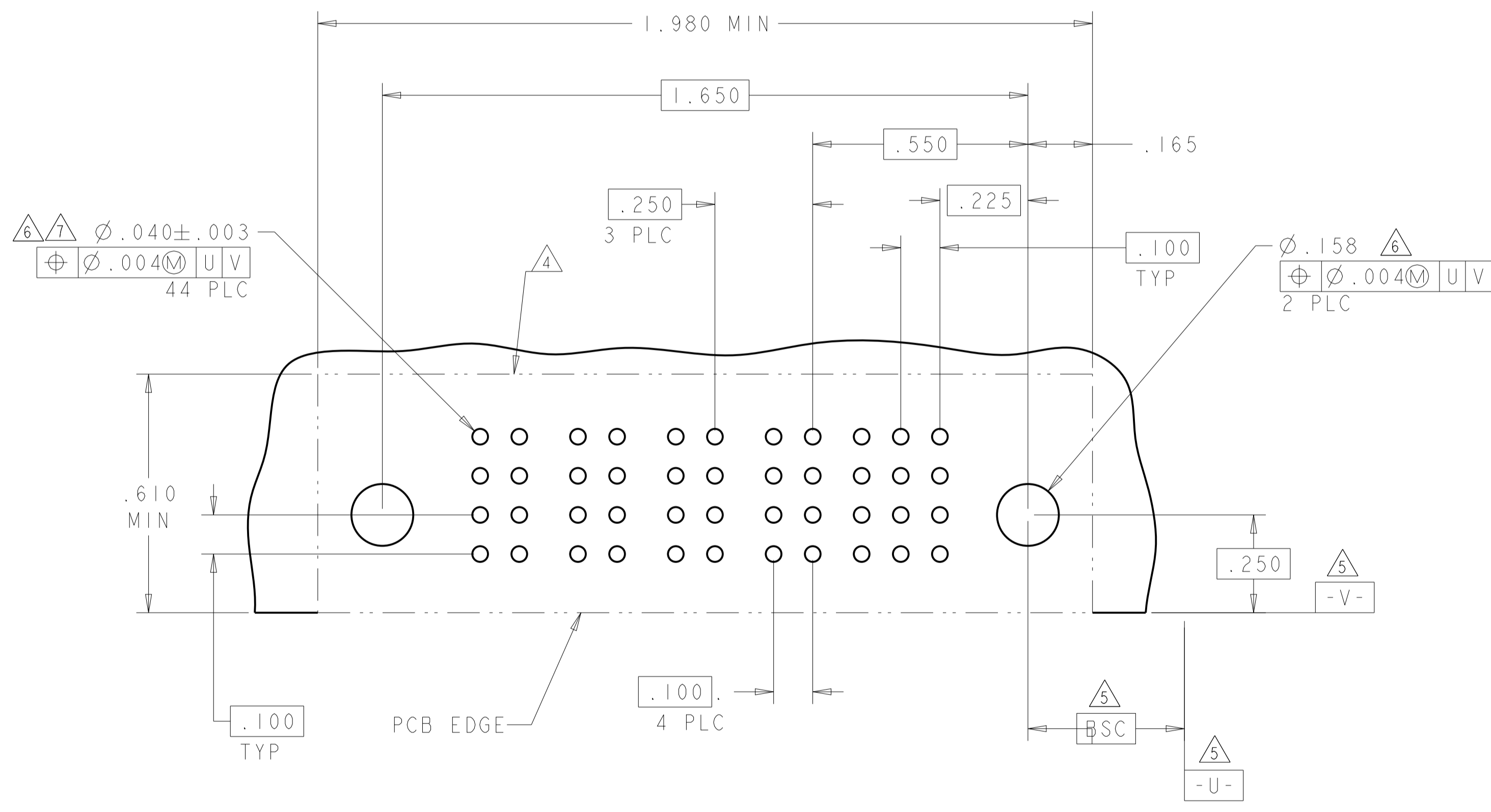
LOC	DIST	REVISIONS			
ES	00	REV	DATE	BY	APPV
		1	SEE SHEET 1		

A4

PART NUMBER	ROWS	POWER				SIGNAL		
		P4	P3	P2	P1	3	2	1
6450361-5	D C B A	RM	RM	RM	RM	H	H	H
						G	G	G
						F	F	F
						E	E	E
12S + 4P								

A6

PART NUMBER	ROWS	SIGNAL														
		14	13	12	11	10	9	8	7	6	5	4	3	2	1	
6450361-6	D C B A	H	H			H	H	H	H	H	H	H	H	H	H	H
						G	G	G	G	G	G	G	G	G	G	G
						F	F	F	F	F	F	F	F	F	F	F
						E	E	E	E	E	E	E	E	E	E	E
56S																



THIS DRAWING IS A CONTROLLED DOCUMENT.		OWN: C. ZHOU 26FEB2009	STE TE Connectivity
DIMENSIONS: INCHES		CHK: S. ZHAO 26FEB2009	
TOLERANCES UNLESS OTHERWISE SPECIFIED:		APV: S. ZHAO	NAME: RIGHT ANGLE RECEPTACLE ASSEMBLY WITH GUIDES, SOLDER TYPE MULTI-BEAM XL
0 PLC ±.01		PRODUCT SPEC: 108-1973	SIZE: A1
1 PLC ±.01		APPLICATION SPEC: 114-13038	CAGE CODE: 6450361
2 PLC ±.01		WEIGHT: -	RESTRICTED TO: -
3 PLC ±.005		Customer Drawing	SCALE: 4:1
4 PLC ±.002			SHEET: 4 OF 4
ANGLES: ±0.20°			REV: A7