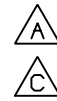
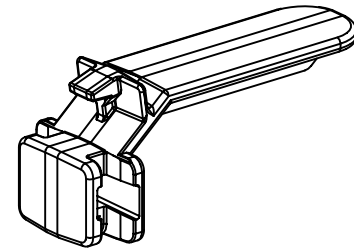
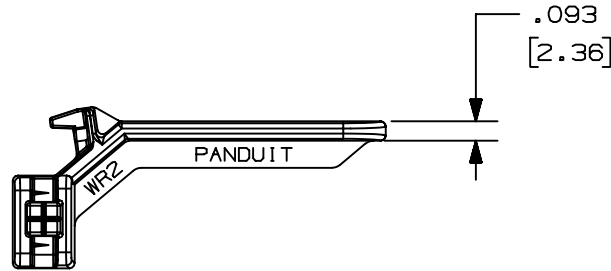
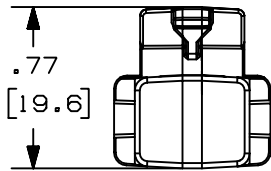
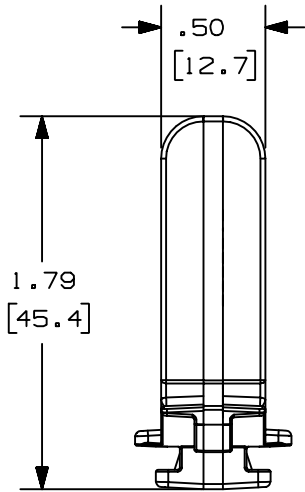


THIS COPY IS PROVIDED ON A RESTRICTED BASIS AND IS NOT TO BE USED IN ANY WAY DETRIMENTAL TO THE INTERESTS OF PANDUIT CORP.

PANDUIT P/N	WEIGHT
WR2	.506 LB/ 100PCS. (230g/ 100PCS.)



NOTES:

1. SEE CURRENT CATALOG FOR ADDITIONAL PART SUFFIXES TO INDICATE COLOR AND OR PACKAGE QUANTITY.
2. THIS WIRE RETAINER IS TO BE USED TO RETAIN WIRES IN "G" DUCT SIZES 2" X 1" THRU 2" X 4".
3. DIMENSIONS IN PARENTHESIS ARE METRIC.



CAD FILENAME/LAYERS D35541DH_DC_WR2_03C.PRT

PANDUIT CORP. TINLEY PARK, ILLINOIS
 WIRING DUCT AND CABLE MANAGEMENT
 WIRE RETAINER (WR2)
 FOR USE WITH TYPE "G" DUCT - CUSTOMER DRAWING

UNLESS OTHERWISE SPECIFIED,
 DIMENSIONAL TOLERANCES ARE:
 (.X) ± (.XXX) ±
 (.XX) ±.03 (.8) ANGLES ±

UNLESS OTHERWISE SPECIFIED,
 ALL DIMENSIONS ARE GIVEN
 IN INCHES, THIRD ANGLE PROJECTION.

SCALE NONE

DRAWING NO. 35541-60

DWG SIZE A

REV	DATE	BY	CHK	DESCRIPTION	ECN	R	CUST	SUP
2	3/9/04	JCST	JKG	C. CHANGED NOTES B. CHANGED TITLE	35541-60		HIW	HIW
1	8-29-00	JHNU	HIW	A. REVISED AND REDRAWN.	35541-60		HIW	HIW
R	3-13-97	RCA	CEF	RELEASED TO PRODUCTION	35541-60		CEF	CEF

DRAWN BY RCA
 DATE 3-13-97
 CHK'D CEF

MAT'L: ABS