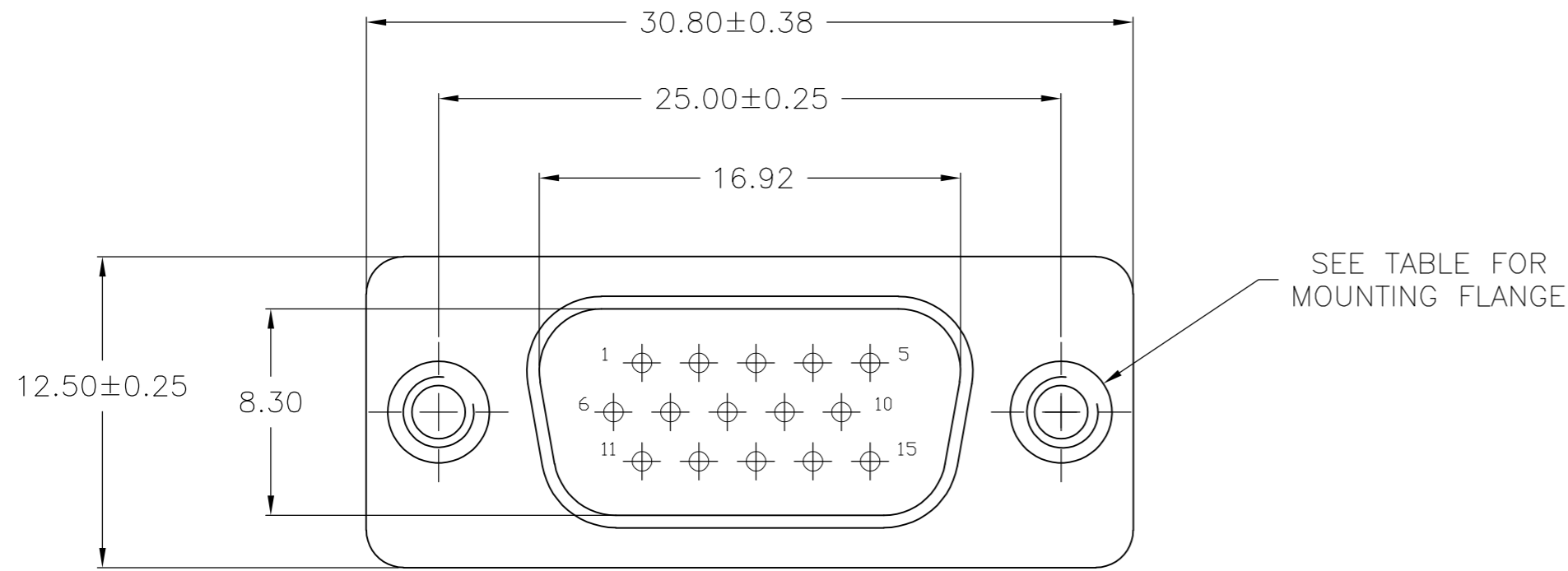


THIS DRAWING IS UNPUBLISHED. RELEASED FOR PUBLICATION
 © COPYRIGHT - By - ALL RIGHTS RESERVED.

LOC		DIST		REVISIONS			
P	LTR	DESCRIPTION		DATE	DWN	APVD	
GP	00	B1	REVISED PER ECO-11-004835		11MAR11	RK	HMR

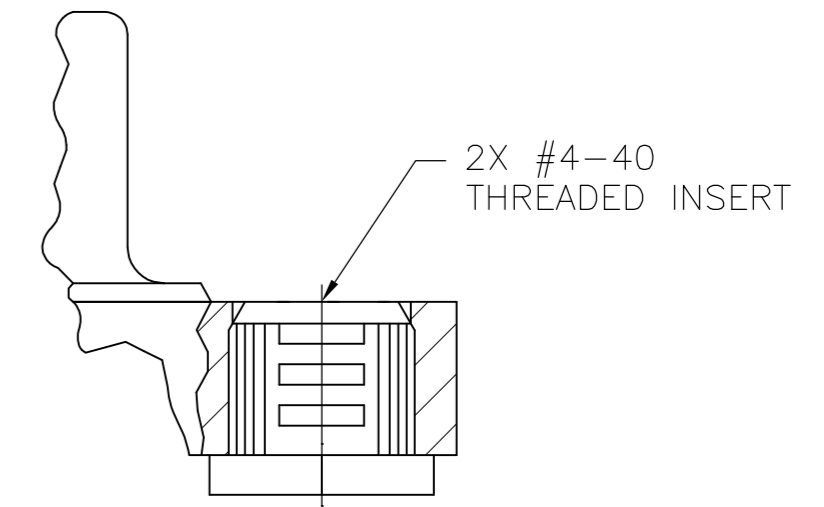
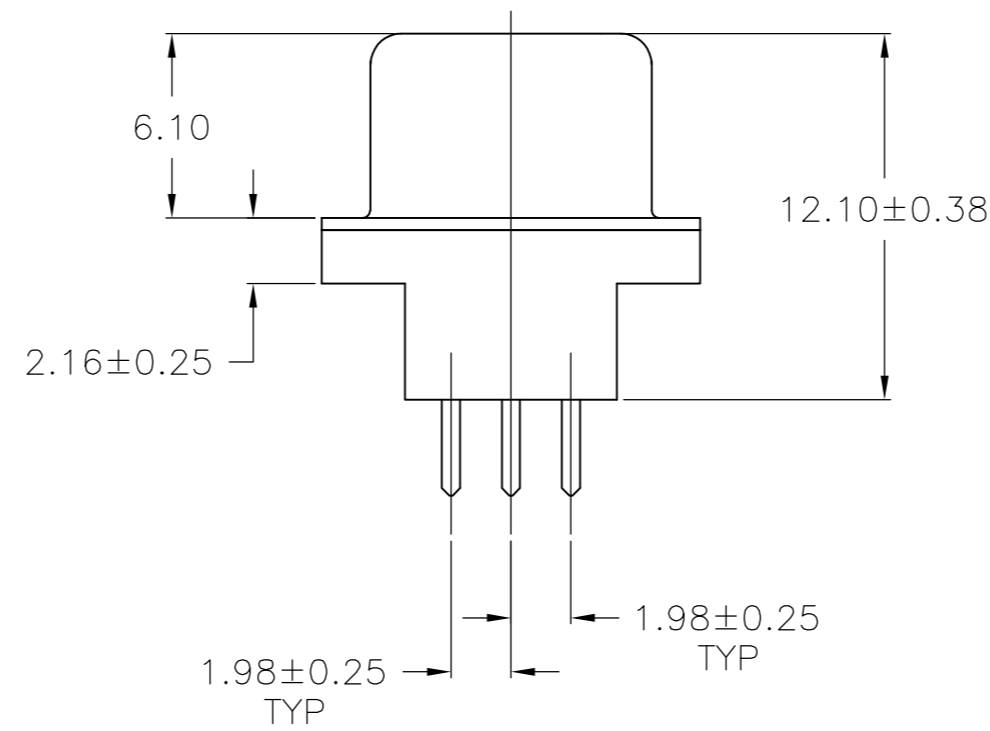
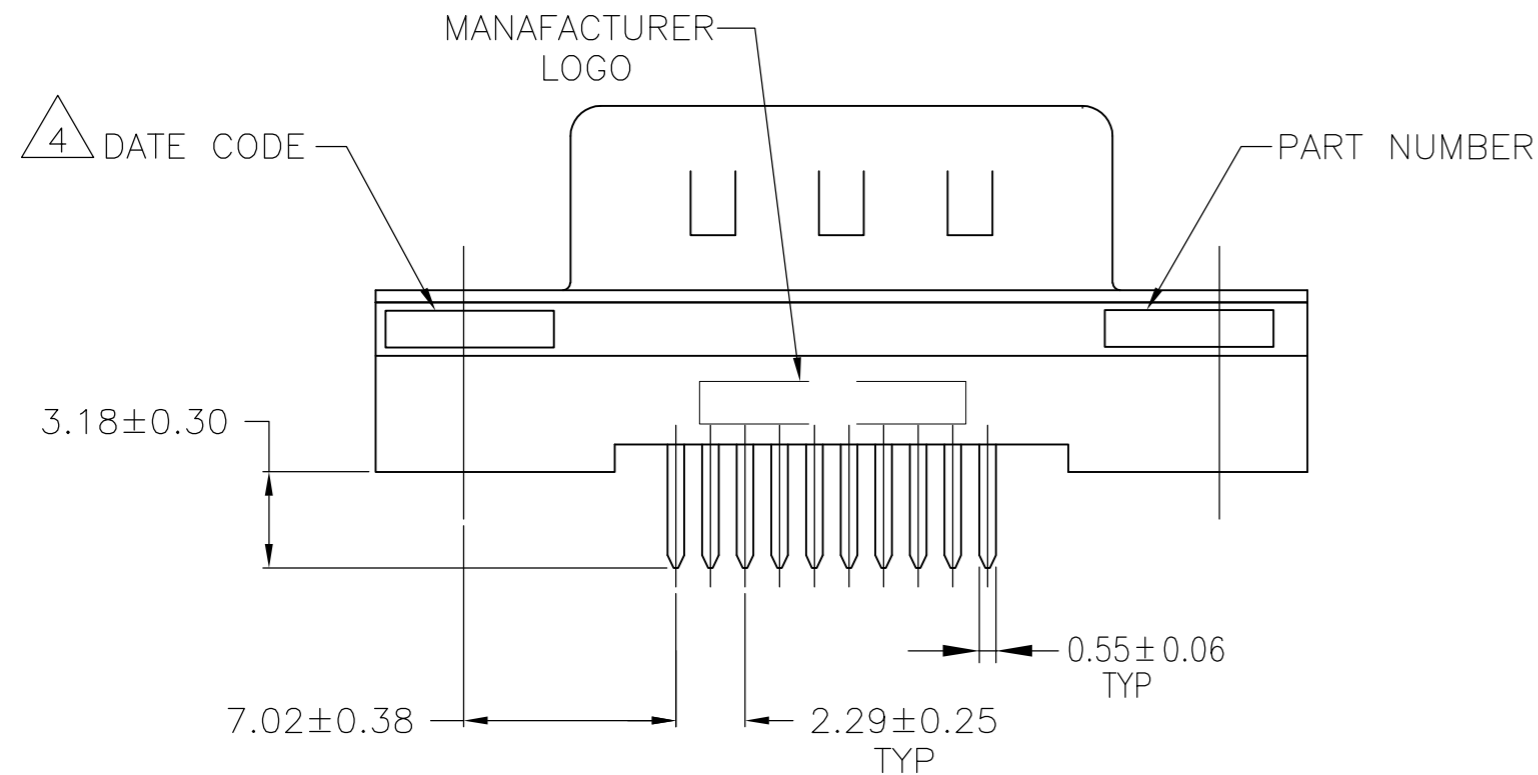


MATERIAL:

- HOUSING: PBT 30% G.F. POLYESTER, BLACK, UL-94V-0 RATED.
 - CONTACT: BRASS, GOLD IN MATING AREA (SEE TABLE), 120μ " MIN TIN PLATE ON SOLDER-TAIL, BOTH OVER 50μ " MIN NICKEL UNDERPLATE.
 - SHELL: STEEL, NICKEL PLATE.
- △ FOUR DIGIT DATE CODE IN THIS FORMAT.

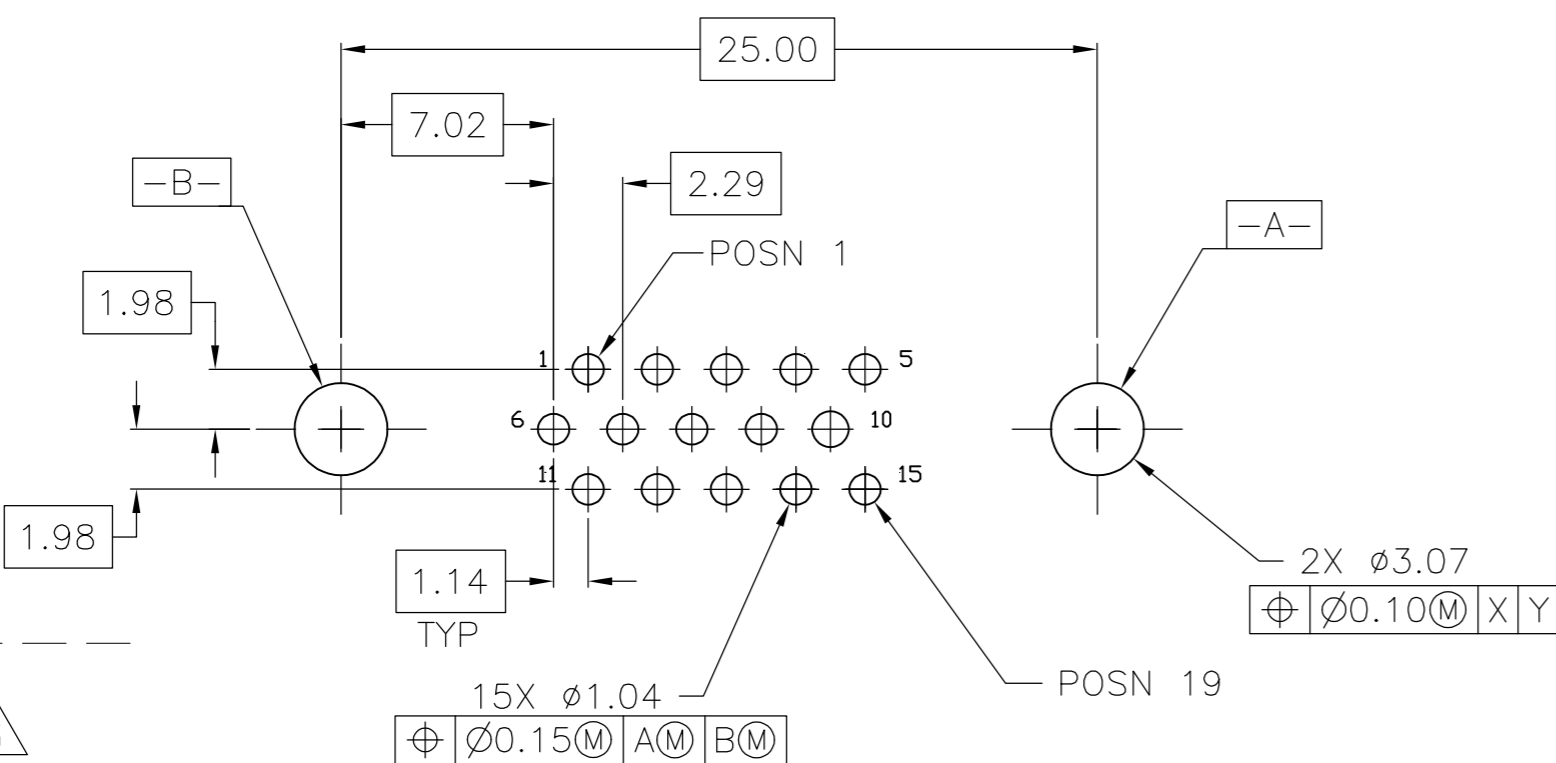


△ DATUMS $-X-$ & $-Y-$ TO BE ESTABLISHED BY CUSTOMER.



DETAIL A

OBSOLETE	TRAY	GOLD FLASH	DETAIL A	5749798-4
OBSOLETE	TRAY	15μ" MIN GOLD	DETAIL A	5749798-3
	TRAY	30μ" MIN GOLD	DETAIL A	5749798-1
	PACKAGING	CONTACT MATING AREA FINISH	MOUNTING FLANGE CONFIGURATION	PART NUMBER



RECOMMENDED PCB LAYOUT

DIMENSIONS:		TOLERANCES UNLESS OTHERWISE SPECIFIED:		DWN		14JUN05	
mm		0 PLC	± -	B. MCMASTER	TE Connectivity		
		1 PLC	± 0.30	CHK S. BOLASH	14JUN05		
		2 PLC	± 0.20	APVD S. BOLASH	14JUN05		
		3 PLC	± 0.10	PRODUCT SPEC	NAME		
		4 PLC	± -	APPLICATION SPEC	108-1092		
		ANGLES	± 2°	114-13199	SIZE		
		FINISH	-	WEIGHT	CAGE CODE		
					DRAWING NO		
					RESTRICTED TO		
					SCALE		
					SHEET		
					REV		