

THIS DRAWING IS UNPUBLISHED.

RELEASED FOR PUBLICATION

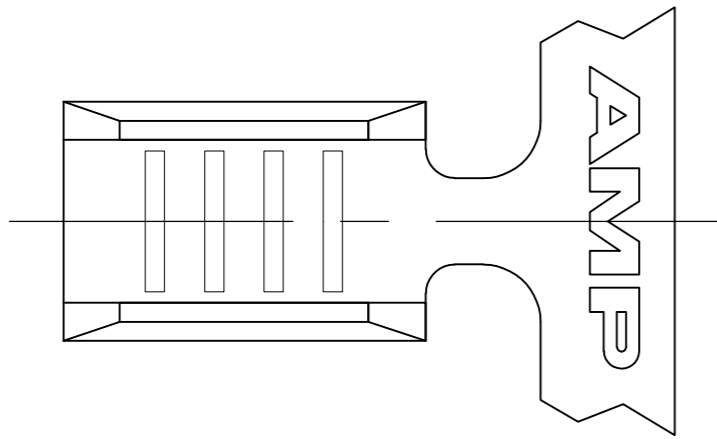
© COPYRIGHT BY TYCO ELECTRONICS CORPORATION.

ALL INTERNATIONAL RIGHTS RESERVED.

LOC AF DIST 50

REVISIONS

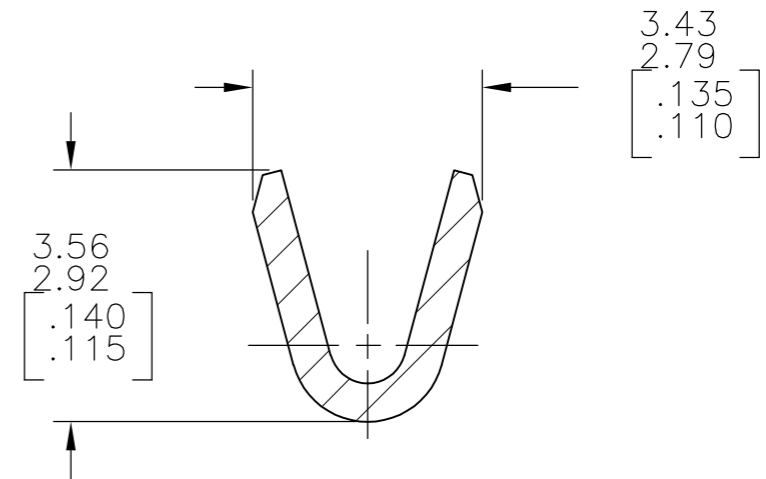
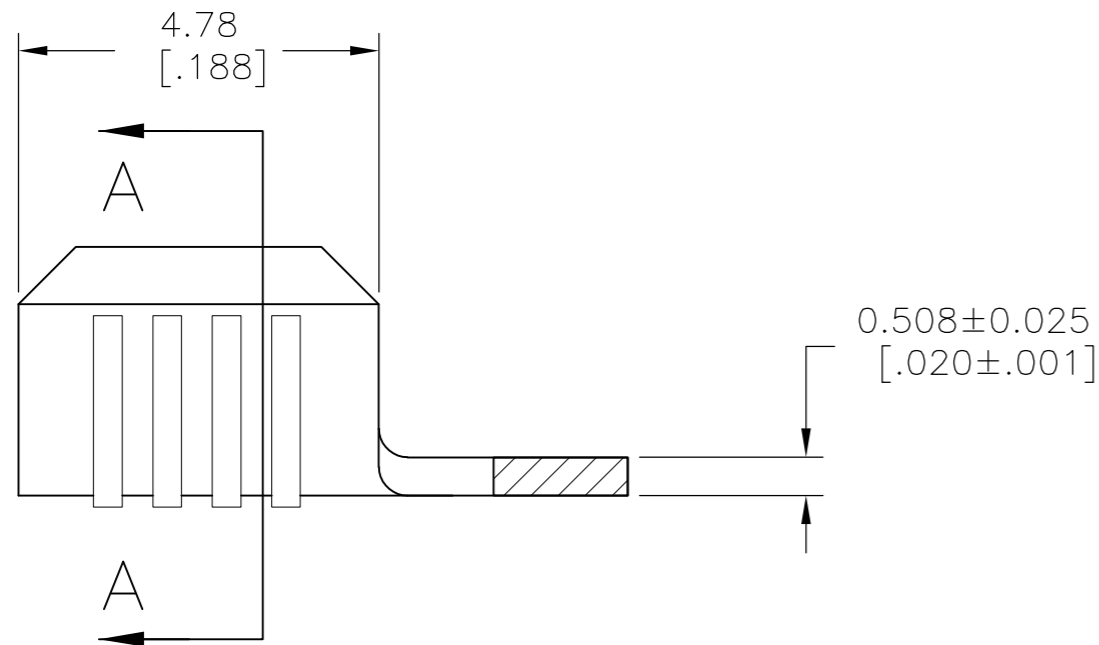
P	LTR	DESCRIPTION	DATE	DWN	APVD
	K1	REVISED PER ECR-08-016766	18JUL08	HMR	DL



- 1 CONTINUOUS STRIP ON REEL.
- 2 CRIMP WIDTH: .090 F TYPE  
CRIMP HEIGHT:  $(\pm 0.002) = (\text{TOTAL CMA} + 8300) / 145,800$   
FOR APPLICATOR INFORMATION CALL: 1-800-722-1111  
FOR PRODUCT INFORMATION CALL: 1-800-522-6752

3 0.002032 [.000080] MIN TIN PLATE.

4 PRELIMINARY - NOT FOR PRODUCTION.



SECTION A-A

FINISH	MATERIAL	WIRE RANGE	PART NUMBER
3	H00 COPPER	1200-2600 CMA	4 60372-5
OBSOLETE	TA STAINLESS STEEL	1200-2600 CMA	60372-4
OBSOLETE	T3 CR STEEL	1200-2600 CMA	60372-3
OBSOLETE	082 BRASS	1200-2600 CMA	60372-2
-	082 BRASS	1200-2600 CMA	60372-1

THIS DRAWING IS A CONTROLLED DOCUMENT.		DWN 24/JAN/97 PHILLIP M FORTNEY	Tyco Electronics Corporation Harrisburg, PA 17105-3608													
DIMENSIONS: mm [INCHES]		CHK 24/JAN/97 JEFF R RUTH	NAME													
TOLERANCES UNLESS OTHERWISE SPECIFIED:		APVD 24/JAN/97 DENNIS SCHWENK	SPLICE													
<table border="0"> <tr><td>0 PLC</td><td>± -</td></tr> <tr><td>1 PLC</td><td>± -</td></tr> <tr><td>2 PLC</td><td>± 0.25 [.010]</td></tr> <tr><td>3 PLC</td><td>± -</td></tr> <tr><td>4 PLC</td><td>± -</td></tr> <tr><td>ANGLES</td><td>± -</td></tr> </table>		0 PLC	± -	1 PLC	± -	2 PLC	± 0.25 [.010]	3 PLC	± -	4 PLC	± -	ANGLES	± -	PRODUCT SPEC -	RESTRICTED TO -	
0 PLC	± -															
1 PLC	± -															
2 PLC	± 0.25 [.010]															
3 PLC	± -															
4 PLC	± -															
ANGLES	± -															
MATERIAL SEE TABLE	FINISH SEE TABLE	APPLICATION SPEC 114-2088	SIZE A3	CAGE CODE 00779												
CUSTOMER DRAWING		WEIGHT -	DRAWING NO C-60372	SCALE 10:1												
		SHEET 1 OF 1		REV K1												