

5

4

3

2

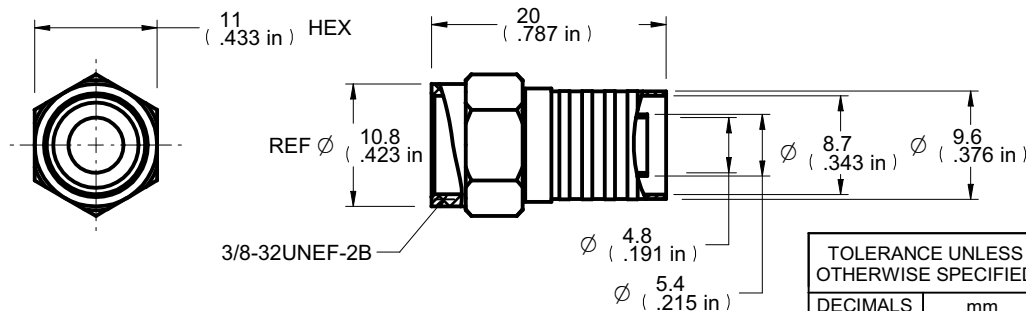
1

DRAWING NO.			
25-7033-CUST			
REVISIONS			
01	OFFICIAL RELEASE		
	08-21-09	Y U	Y U
		T H	Betty 2009.09.0 8:09:17:19 +0800C

Description: F-56 Alx For RG-6 Tri-Shield
 Part No: 25-7033
 Application: For RG6 Tri-Shield&Quad Plenum Cable
 Crimp Tool: 24-7710 or 24-8866P
 Impedance: 75 Ohms
 Frequency Range: 0-750 MHz
 Material: Body Brass Nickel plated
 Nut Zinc Nickel plated
 RoHS Compliance: Yes
 Technical Detail: Refer to Emerson Document P/N 25-0000



受控 CONTROLLED DOCUMENT					
编号 P/N	25-7033-CUST	版本 Rev	01	日期 Rel'd Date	SEP 14,09



DIM OUTLINE

TOLERANCE UNLESS OTHERWISE SPECIFIED		DRAWN BY	DATE
DECIMALS	mm	BETTY.YU	08-21-09
X	± 0.5	CHECKED BY	DATE
X.X	± 0.3	BETTY.YU	08-21-09
X.XX	± 0.1	APPROVED BY	DATE
ANGLES	± 0.5°	THOMAS	08-21-09
		U/M mm	

CUSTOMER COPY



TITLE
F-56ALX FOR RG-6 TRI-SHIELD

THIS DRAWING WAS PRODUCED BY COMPUTER,
 DO NOT SCALE DRAWING OR UPDATE MANUALLY.

SHEET	DRAWING NO.	SIZE
1 OF 1	25-7033-CUST	A

5

4

3

2

1