

- NOTE 1. THIS PRODUCT IS DELIVERED SEPARATELY.
- 2 AS SHOWN IN THE FIGURE, THIS PRODUCT SHALL BE USED ASSEMBLED TO A CONNECTOR UNIT 'DH3+B-51S'. A CLAMP 'DH-51-CMB(9.6)' IS NEEDED WHEN ASSEMBLING THE UNIT.
3. THIS PRODUCT SHALL BE MATED WITH A RECEPTACLE 'DH60-51P+' WHICH ASSEMBLED LOCK SCREWS 'DH-LNA\*\*\*'.
- 4 A RECOMMENDED SCREW TIGHTENING TORQUE TO THE LOCK SCREWS TO BE FROM 0.06 TO 0.07 N · m.
- 5 A RECOMMENDED SCREW TIGHTENING TORQUE FOR COVERS TO BE FROM 0.1 TO 0.15 N · m.

3	STAINLESS STEEL	PLATING : NICKEL 0.1 μm MIN	5	STEEL	TRIVALENT BLACK CHROMATE
2	PC	UL94V-0 (BLACK)	4	STEEL	OVER PLATING : NICKEL 2 μm MIN
1					UNDER PLATING : COPPER 1 μm MIN
NO.	MATERIAL	FINISH . REMARKS	NO.	MATERIAL	FINISH . REMARKS

UNITS mm		SCALE 4 : 1	COUNT 1	DESCRIPTION OF REVISIONS DIS-E-003061	DESIGNED TM. ONO	CHECKED KN. ICHIKAWA	DATE 09.12.14
APPROVED : KN. ICHIKAWA 09.11.17				DRAWING NO. EDC3-126589-00			
CHECKED : KN. ICHIKAWA 09.11.17				PART NO. DH-51-CV1B			
DESIGNED : MO. SHIMOYAMA 09.11.17				CODE NO. CL244-0012-0-00			
DRAWN : TM. ONO 09.11.16				1/2			

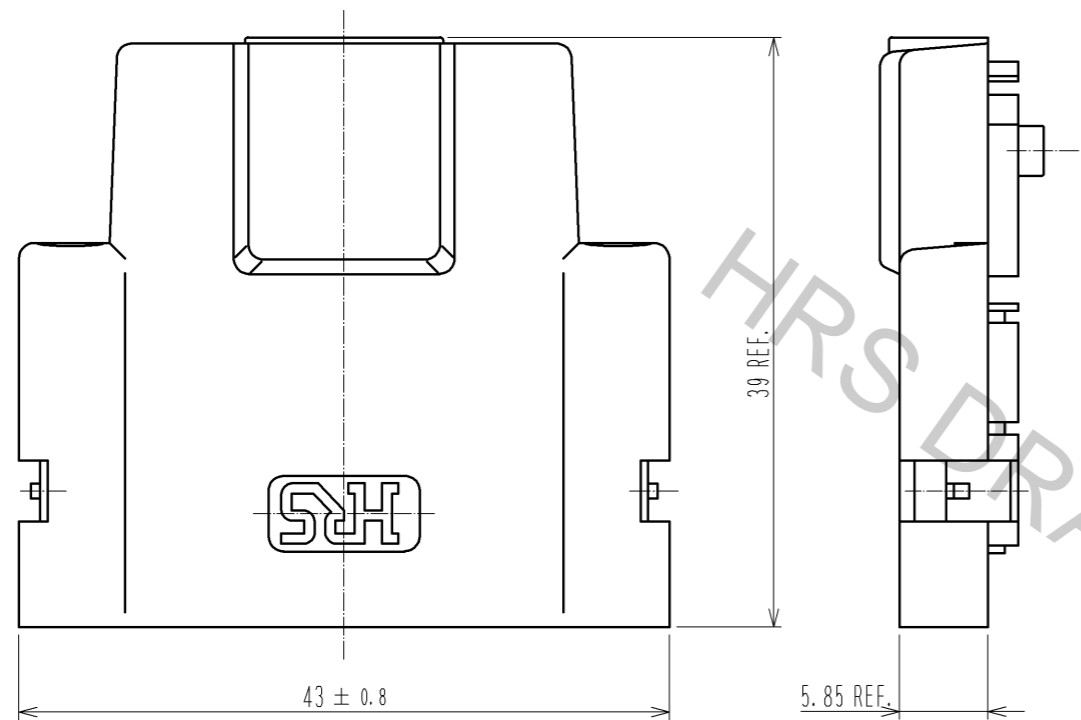
Apr.1.2017 Copyright 2017 HIROSE ELECTRIC CO., LTD. All Rights Reserved.

1 2 3 4 5 6 7 8

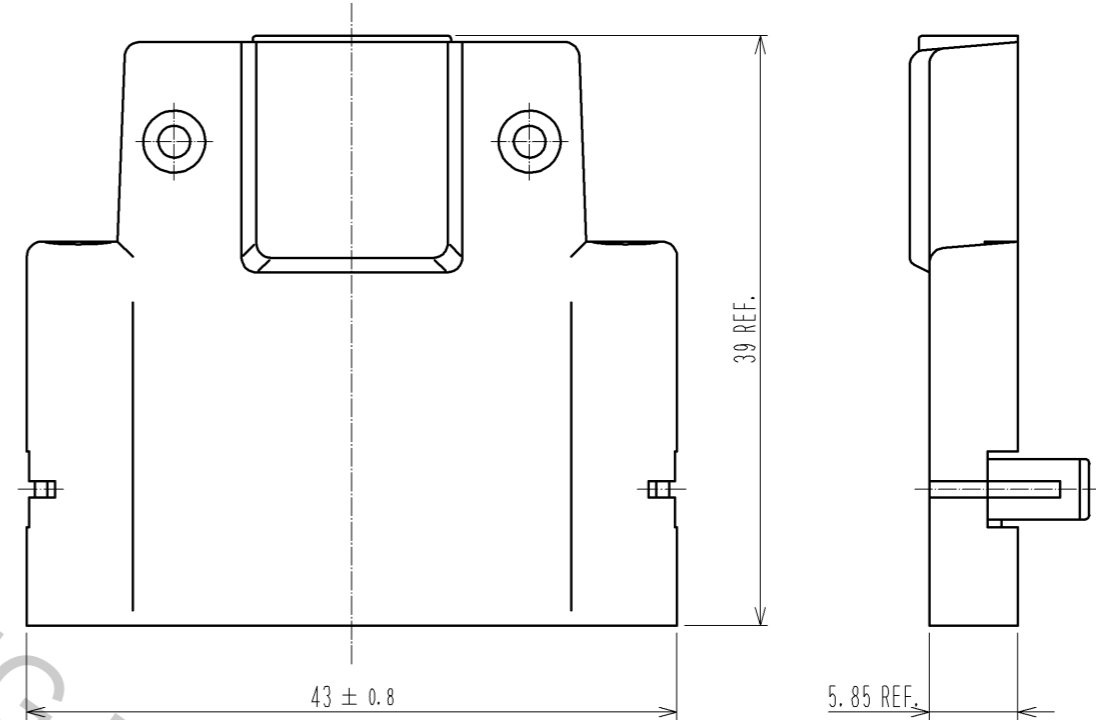
A  
B  
C  
D  
E  
F

A  
B  
C  
D  
E  
F

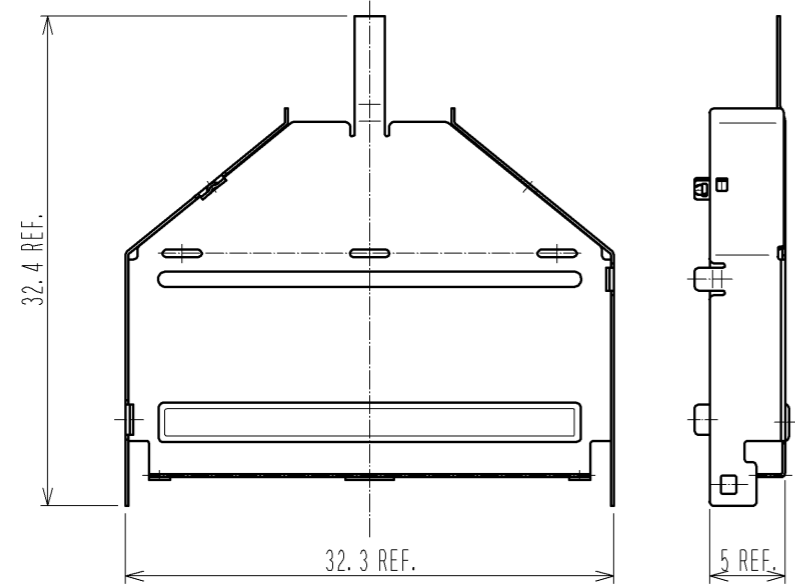
REF No. ①



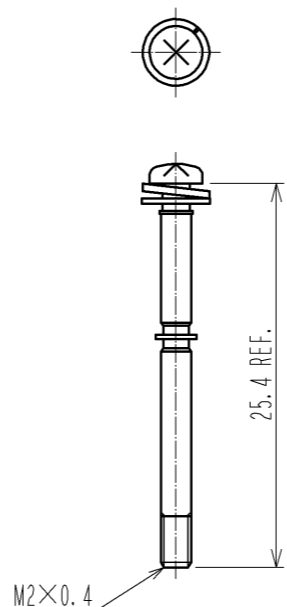
REF No. ②



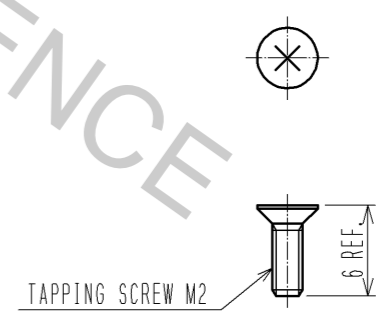
REF No. ③



REF No. ④



REF No. ⑤



TAPPING SCREW M2

<b>HRS</b>	DRAWING NO.	EDC3-126589-00		2/2
	PART NO.	DH-51-CV1B		
	CODE NO.	CL244-0012-0-00		