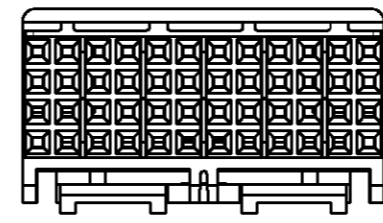
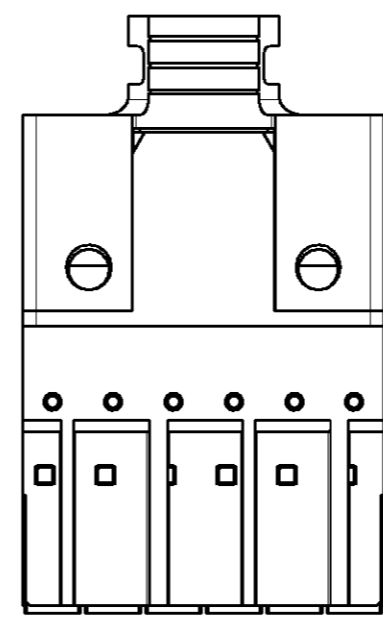
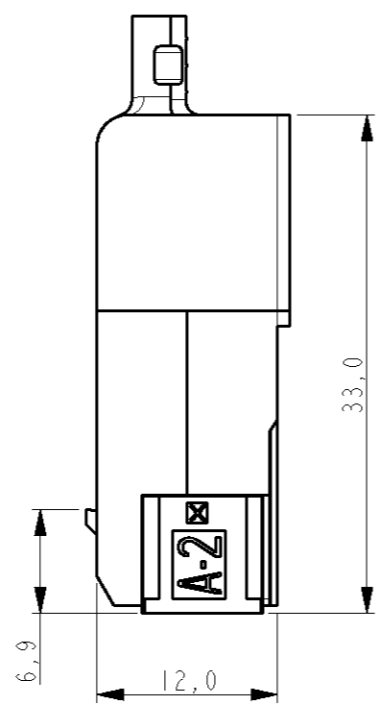
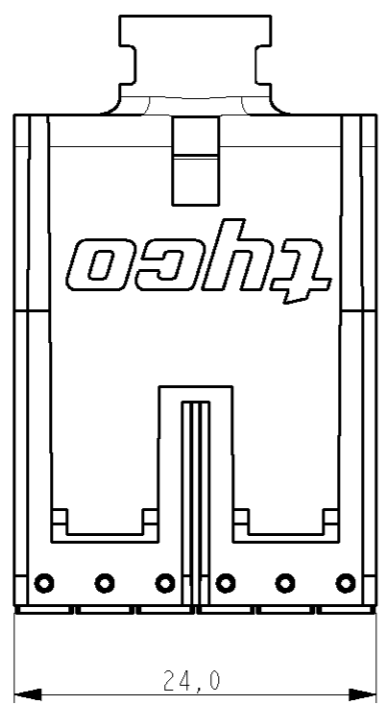
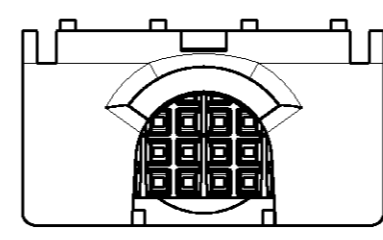
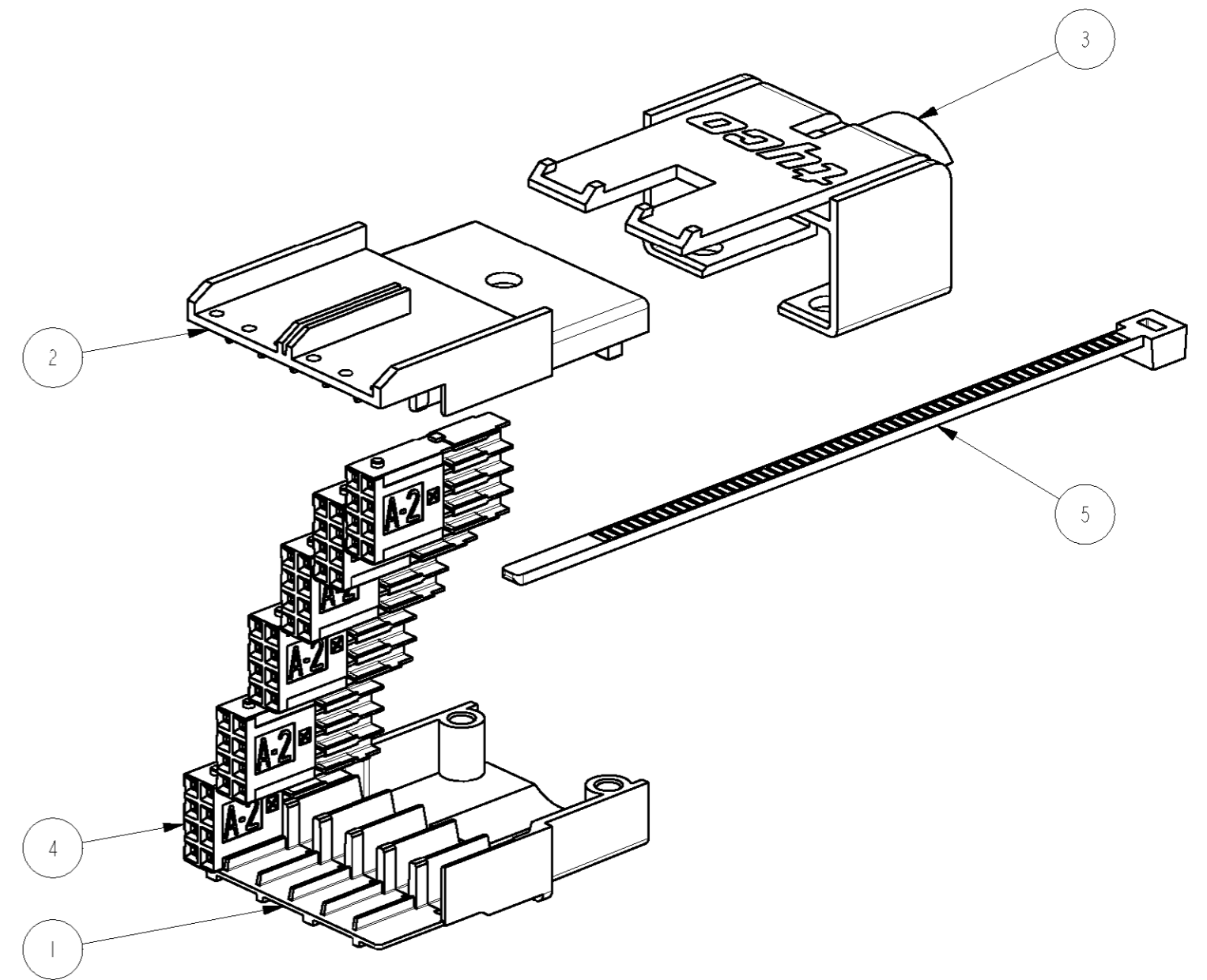
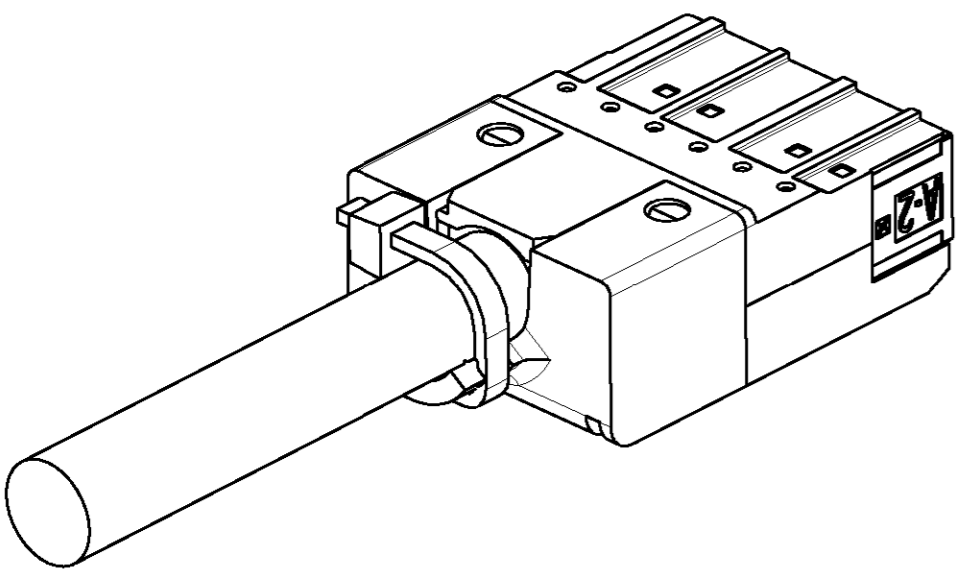
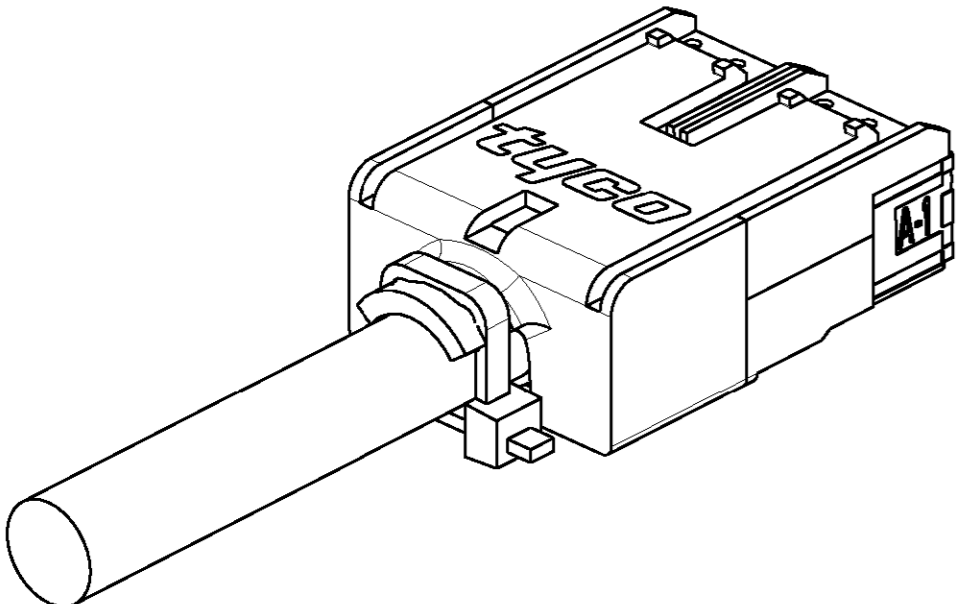


THIS DRAWING IS UNPUBLISHED. RELEASED FOR PUBLICATION  
 © COPYRIGHT - BY TYCO ELECTRONICS CORPORATION. ALL RIGHTS RESERVED.

LOC	DIST	REVISIONS					
H	-	P	LTR	DESCRIPTION	DATE	DWN	APVD
		A		EHC0-0107-04	21 APR 2004	JT	-
		B		EH10-0447-04	19 NOV 2004	JvdH	JB
		C		ECR-05-003964	21 JUN 2005	JT	-



APPLICATION EXAMPLE



NOTES:

- THE CONNECTOR CONTAINS 6 MODULES OF 2X4 CONTACTS FORMING A 2mm CONTACT GRID.
- THE CONNECTOR MATES WITH Z-PACK 2mm FUTUREBUS+ RECEPTACLE ASSEMBLIES ACCORDING TO SPECIFICATION IEC61076-4-104.
- MATERIALS:  
 MODULE HOUSING: LIQUID CRISTAL POLYMER  
 SIGNAL CONTACT: PHOSPHOR BRONZE  
 LOCKING CLIP: PC  
 BOTTOM AND TOP COVER : PBT  
 CABLE TIE: POLYAMIDE
- PLATING OF SIGNAL CONTACTS:  
 2,0 µm min. GOLD OVER 1,25 µm min. NICKEL IN CONTACT AREA.  
 1,0 µm min. TIN OVER 1,25 µm min. NICKEL IN TERMINATION AREA.
- CABLE DIAMETER 8mm MAX.
- PACKAGING: BULK PACKAGING PER COMPONENT IN PLASTIC BAGS, PACKAGED IN CARTON BOX.

ITEM NO.	DESCRIPTION	QUANTITY
5	CABLE TY	1
4	CONTACT MODULE	6
3	LOCKING CLIP	1
2	TOP COVER	1
1	BOTTOM COVER	1

DIMENSIONS: mm		TOLERANCES UNLESS OTHERWISE SPECIFIED: 0 PLC ± 1 PLC ± 2 PLC ± 3 PLC ± 4 PLC ± ANGLES ± FINISH	
MATERIAL		-	

DWN J. TUIN 20 APR 04		TYCO ELECTRONICS NEDERLAND B.V.	
CHK -		's-HERTOGENBOSCH, THE NETHERLANDS	
APVD -		NAME	
PRODUCT SPEC		Z-PACK 2mm FB+ UNSHIELDED CABLE CONNECTOR 48 POSITION KIT	
APPLICATION SPEC		SIZE	RESTRICTED TO
WEIGHT		A2 00779	-
CUSTOMER DRAWING		CAGE CODE	DRAWING NO
		1705545	1705545-1
SCALE 2:1	SHEET 1	OF 1	REV C