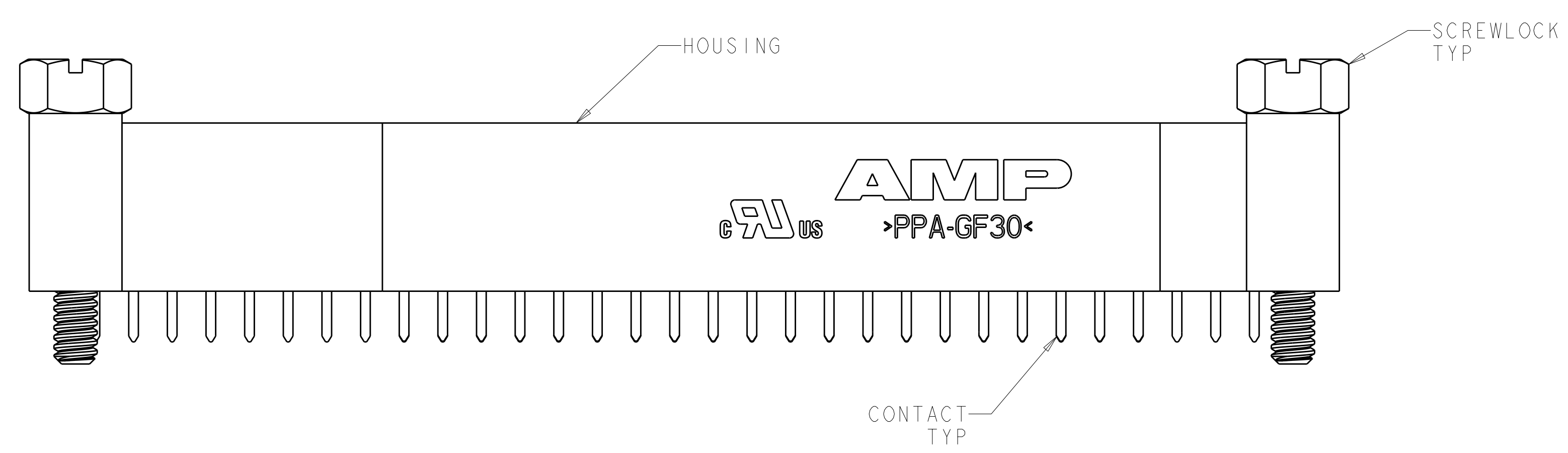
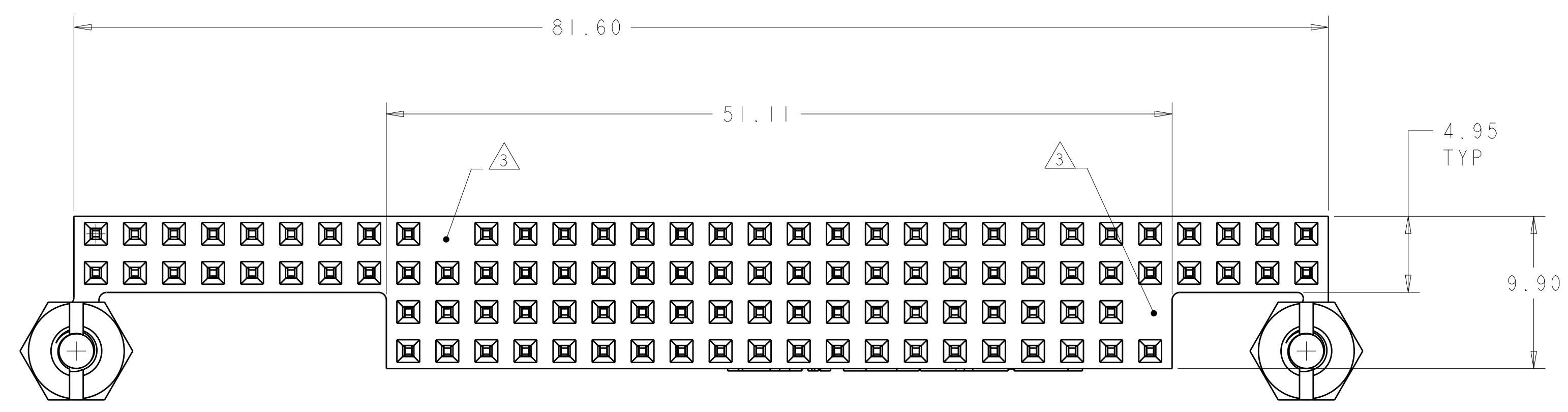
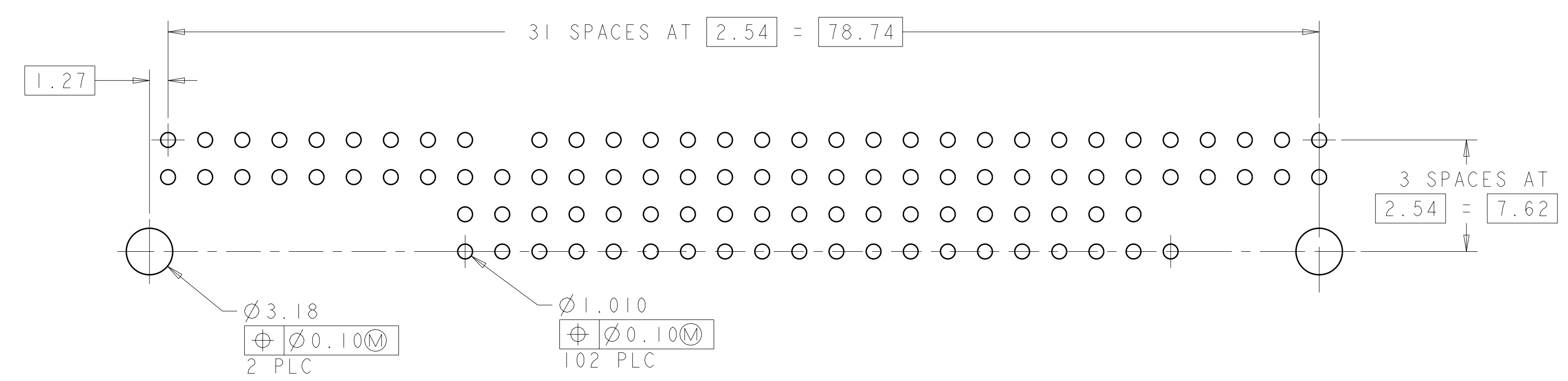
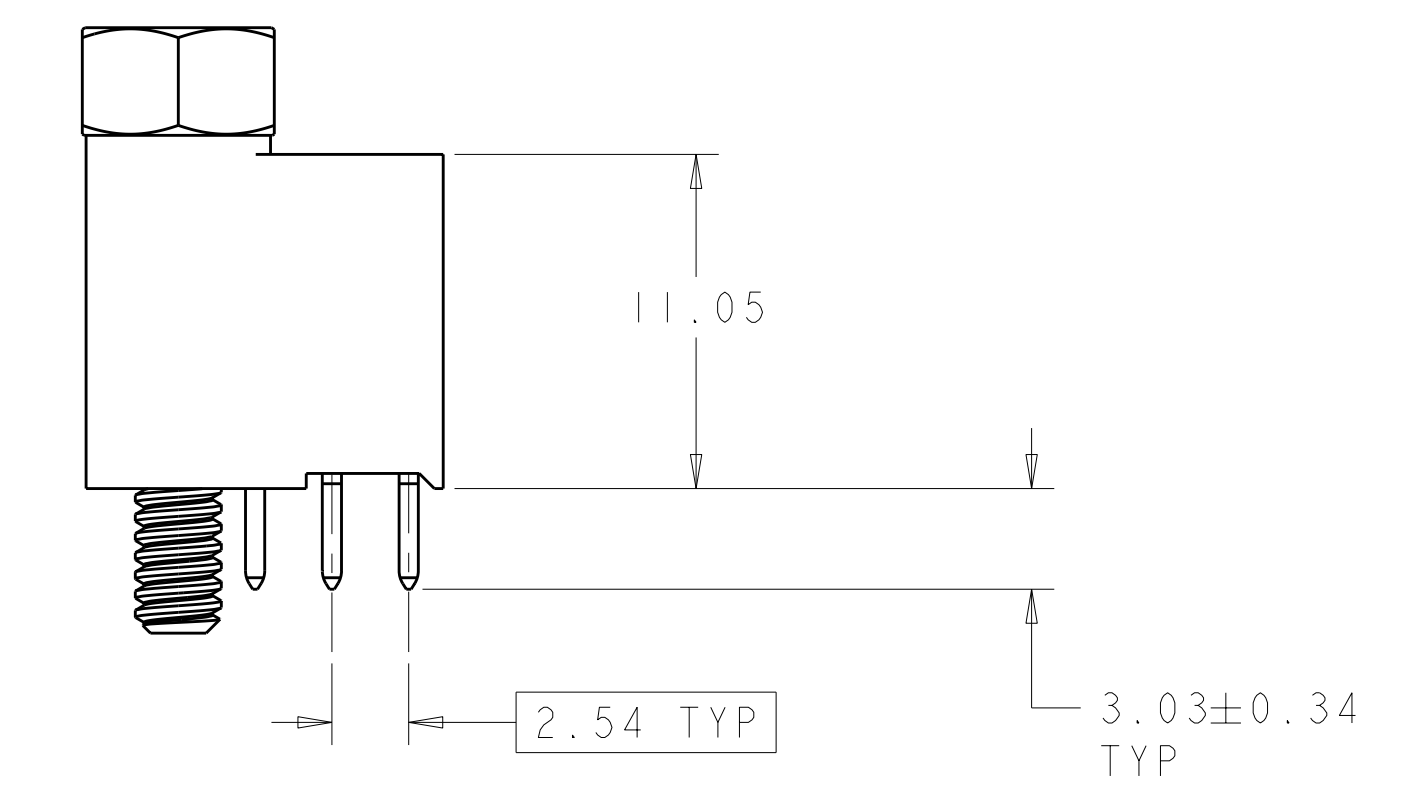


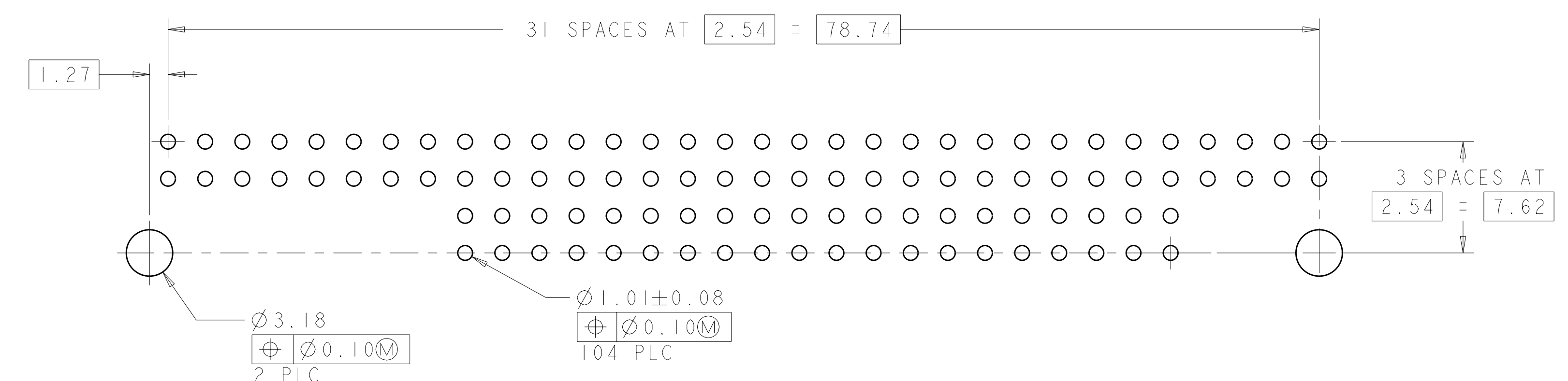
LOC	DIST	REVISIONS					
AD	00	P	LTR	DESCRIPTION	DATE	DWN	APVD
		D		063C-0184-05	31AUG2005	RB	JO
		D1		REVISED PER ECO-09-025699	23NOV2009	WK	AEG



- ⚠ HOUSING: HIGH TEMPERATURE, GLASS FILLED NYLON, COLOR- BLACK.
CONTACTS: PHOSPHOR BRONZE.
SCREWLOCKS: STEEL.
- ⚠ CONTACTS: 0.000381 MIN GOLD ON MATING RECEPTACLE END,
0.00254 BRIGHT TIN-LEAD ON REMAINDER, ALL OVER
0.001270 NICKEL.
SCREWLOCKS: CLEAR CHROMATE OVER ZINC.
- ⚠ NO CONTACT IN THIS POSITION, FOR PART NUMBER 1375961-1 & -3 ONLY.
- ⚠ CONTACTS: 0.000381 MIN GOLD ON MATING RECEPTACLE END,
0.00254-0.00508 MATTE TIN ON REMAINDER,
ALL OVER 0.001270 NICKEL.
SCREWLOCKS: CLEAR CHROMATE OVER ZINC.
- ⚠ ROHS 2002/95/EC COMPLIANT PART TO BE USED WITH
ROHS 2002/95/EC COMPLIANT PCB'S.
- ⚠ OBSOLETE PARTS: OBSOLETE CIS STREAMLINING PER D.RENAUD/D.SINISI



RECOMMENDED PCB LAYOUT
FOR 1375961-1 & -3



RECOMMENDED PCB LAYOUT
FOR 1375961-2 & -4

OBSOLETE	FINISH	KEYED CIRCUITS	PART NO
⚠	⚠	NO	1375961-4
⚠	⚠	YES	1375961-3
⚠	⚠	NO	1375961-2
⚠	⚠	YES	1375961-1

DIMENSIONS: mm TOLERANCES UNLESS OTHERWISE SPECIFIED: 9 PLC ± 1 PLC ±0.13 5 PLC ± 4 PLC ± ANGLES ± FINISH: ⚠		DWN: W.G. LENKER 02JUN2000 CHK: L. BREKOSKY 15JAN2001 APVD:	Tyco Electronics Corporation Harrisburg, PA 17105-3608
MATERIAL: ⚠		PRODUCT SPEC: 108-1956 APPLICATION SPEC: 114-13021 WEIGHT:	NAME: ASSEMBLY, PC/104, NON-STACKTHROUGH CONTACTS, 2 STANDOFFS, SOLDER SIZE: A1 CAGE CODE: 00779 DRAWING NO: 1375961
CUSTOMER DRAWING		SCALE: 4:1	SHEET: 1 OF 1 REV: D1